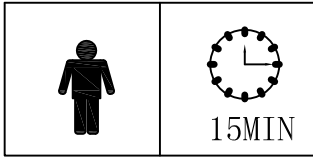
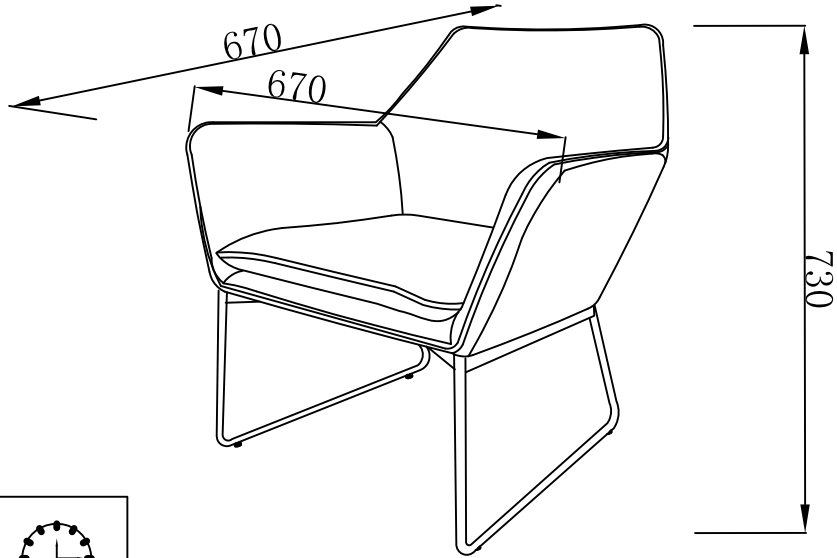
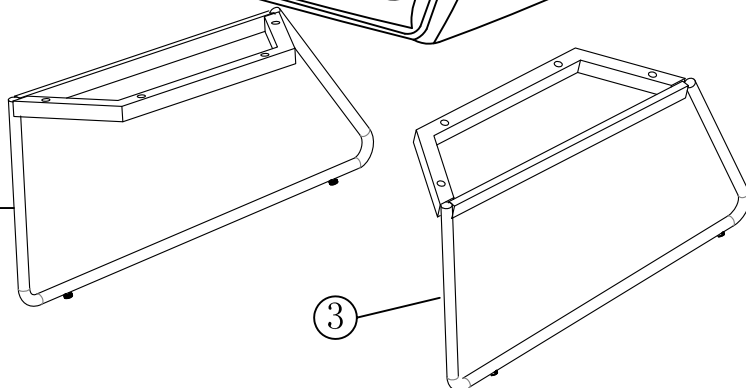
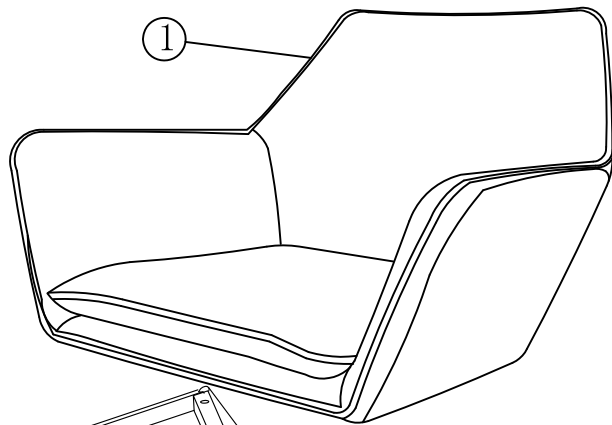


# Assembly Instruction

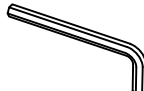


1



Ax8   
M6X35mm

Bx8 

Cx1 

2

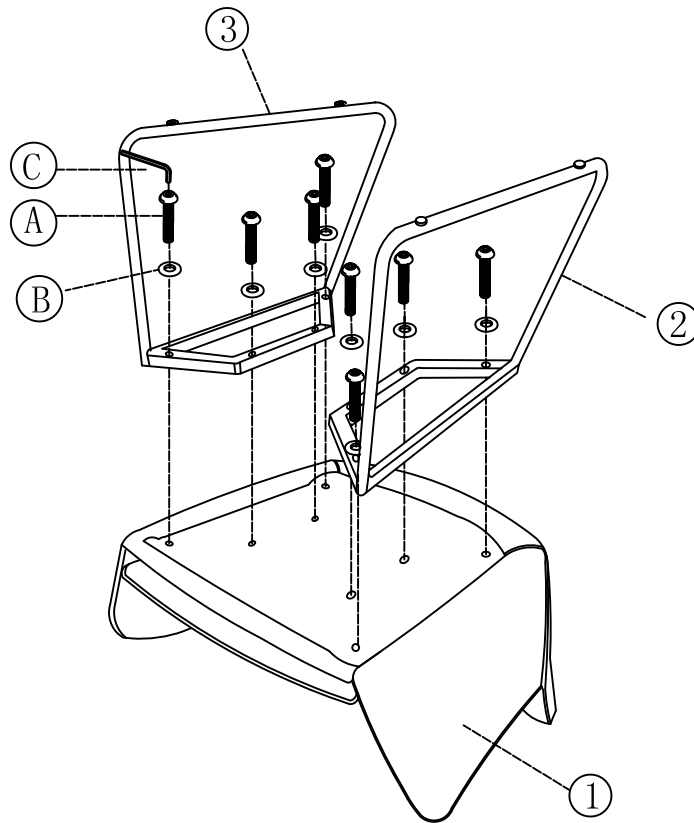
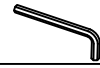
Ax8



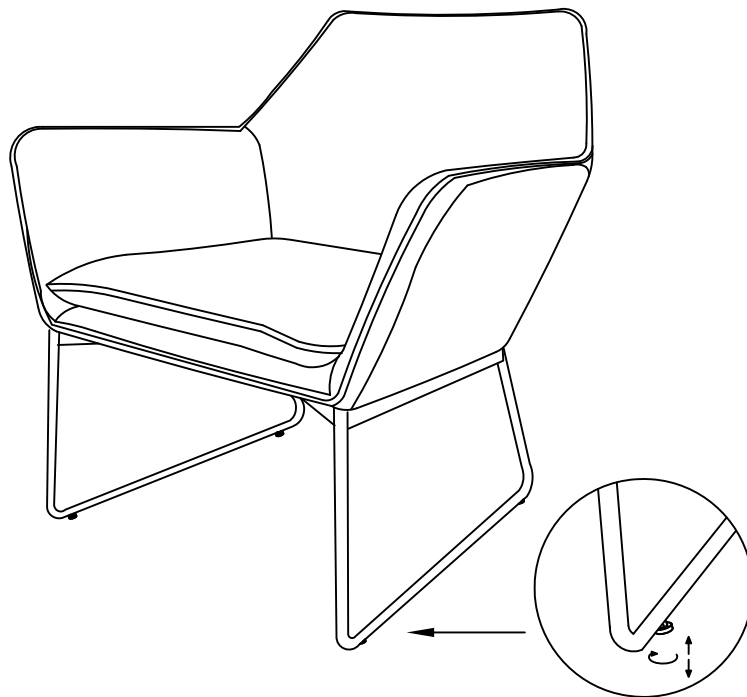
Bx8



Cx1



3



adjust the adjustable leg to the same level