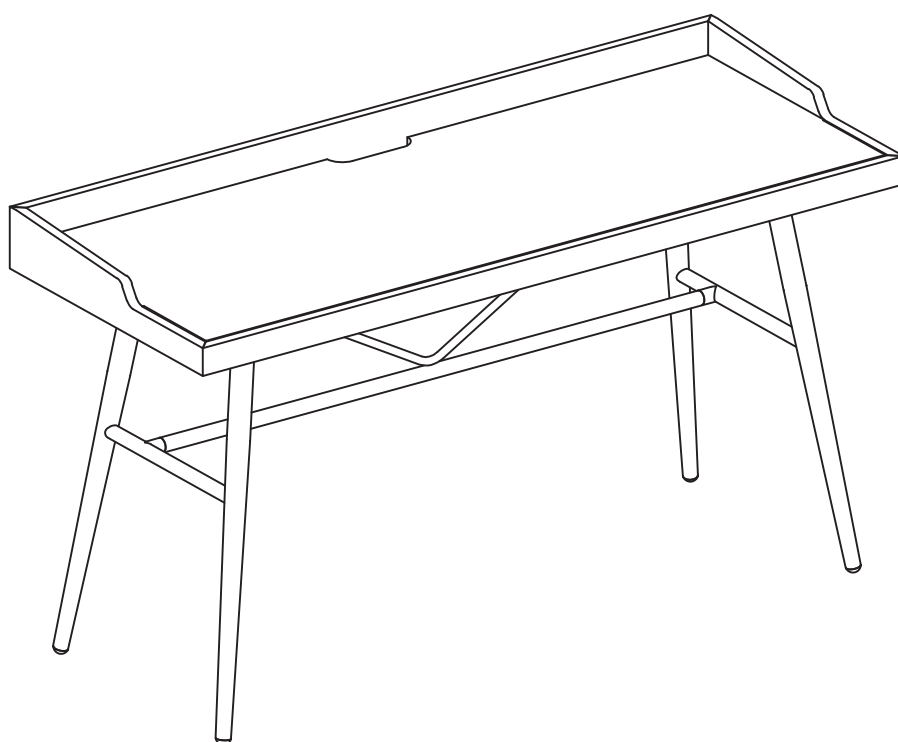


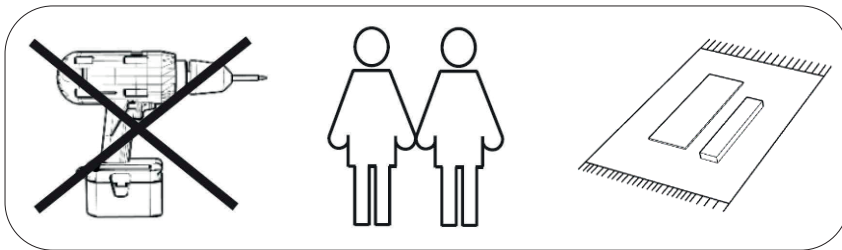
ASSEMBLY INSTRUCTION

SPRINGDALE WRITING DESK

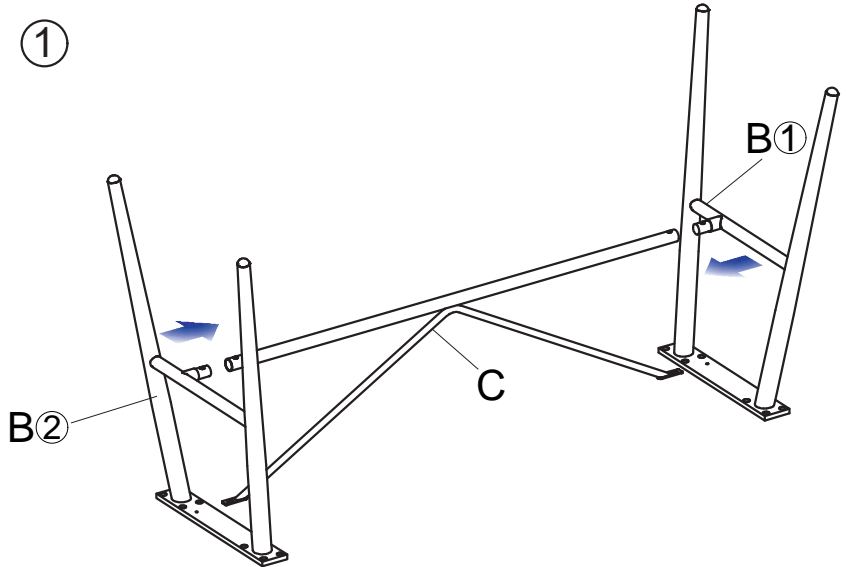


ROWICO

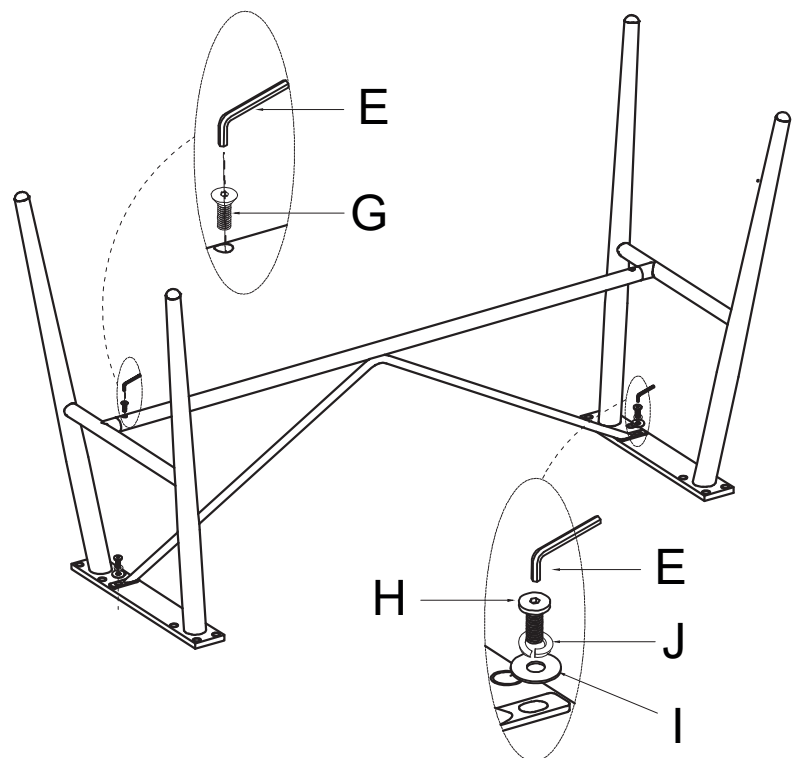
HOME



Ax1 	Dx1 M5
	Ex1 M4
B①x1 	Fx16 M8x25
	Gx2 M6x12
B②x1 	Hx2 M6x12
	Ix2 Ø16 x Ø6x1.5
Cx1 	Jx2 Ø11 x Ø6x2
	Kx16 Ø17x Ø8x1.5



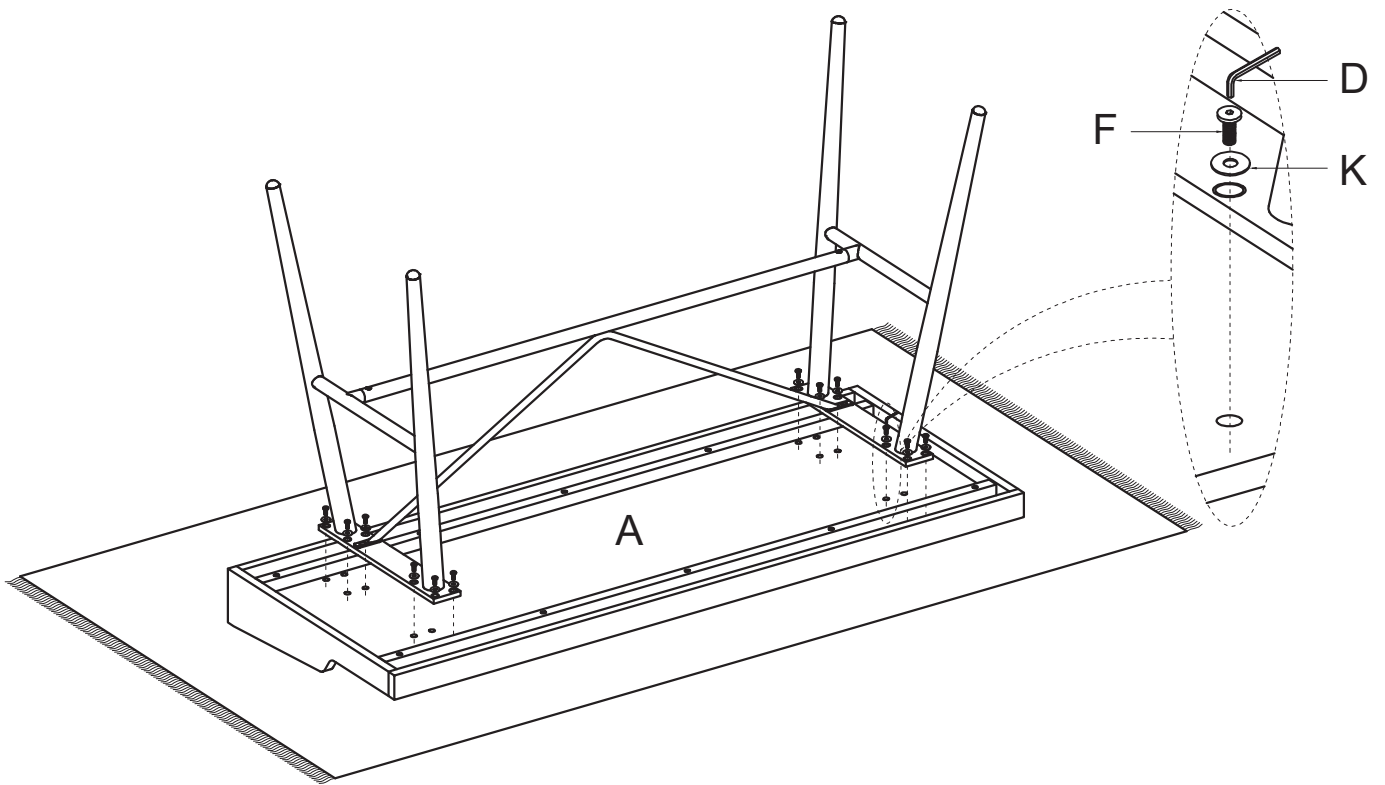
② Tighten screws "G" and "H" by 20%



ATTENTION!

- Putta eller dra inte i möbeln vid förflyttning – lyft alltid i bärande delar.
- When moving the furniture, never pull or push, remember to always lift.
- Montera möbeln på en ren matta för att skydda mot smuts, märken och repor.
- Assemble the furniture on a clean carpet as protection against dirt, dent marks and scratches.

③ Tighten screws "F" by 100%



④ Tighten screws "G" and "H" by 100%

