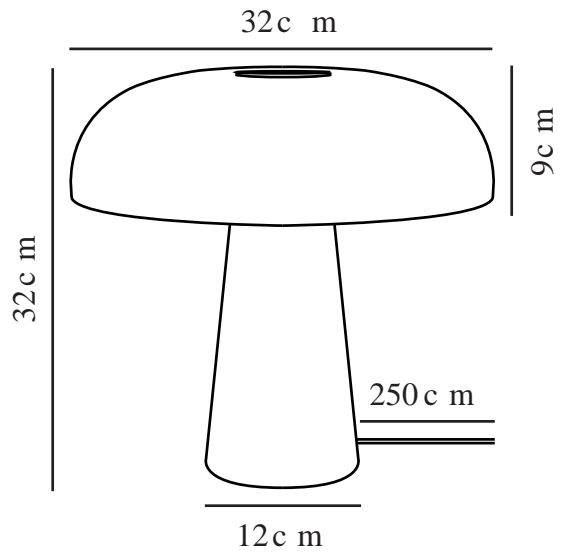


GLOSSY | TABLE LAMP | GREY

2020505010



Voltage (V): 220-240 Volt
IP degree: IP20
Maximum bulb wattage (W): 15
Class (Class 1, Class 2, Class 3):
Class 2 (Double isolated)
Socket type: E27
Switch placement: On the cable
Parallel connection: False

Primary material: Marble
Secondary material: Glass
Colour of the glass: Opal white
Colour of the cable: White
Length of the cable (cm): 250
Surface material of the cable:
Textile
Is the cable replaceable: False
Colour: Grey

Height (cm) : 32
Width (cm): 32
Shade Diameter (cm): 32
Shade Height (cm): 9
Outdoor base dimension (cm): 12
Length (cm): 32

EAN: 5704924009358
Item Number: 2020505010
Pcs Per Master Carton: 2

Sales Box Height (cm): 54
Sales Box Width(cm): 39
Sales Box Depth (cm): 17.5
Sales Box Volume m³ : 0.0369
Product net weight (kg): 4.1805

- Sophisticated and elegant design • Exclusive marble, glass and brushed steel
- Soft, diffused light through the opalized glass shade

Glossy is the epitome of tasteful and sophisticated design. Danish designer Maria Berntsen has created a table lamp that oozes of Nordic minimalism, where the combination of the exclusive materials, marble, brushed steel and opal white glass contributes to an incredibly elegant design. Glossy is named after the shiny surface of the opal white glass, which lets a soft and comfortable light shine through.

Marble is a unique natural material and therefore lines, colours and patterns may vary from lamp to lamp. This is a part of the charm of working with natural materials.