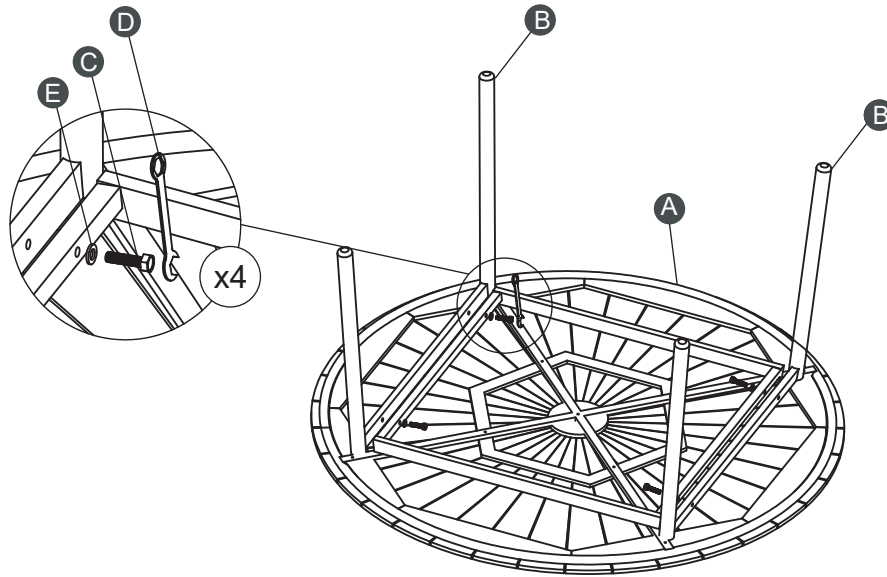


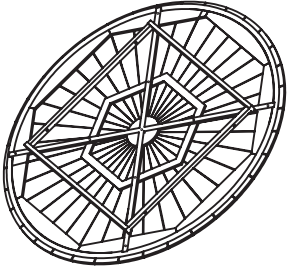
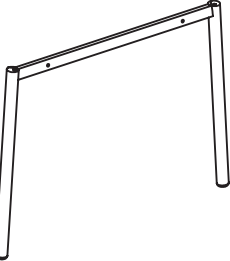

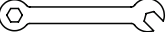

ASSEMBLY INSTRUCTION

1



**HOUSE
NORDIC**
7801180

PARTS INVENTORY

ID	DESCRIPTION	QTY
A		1
B		2
C	M10 x 40MM 	4
D	K17 	1
E	M10 	4

2

