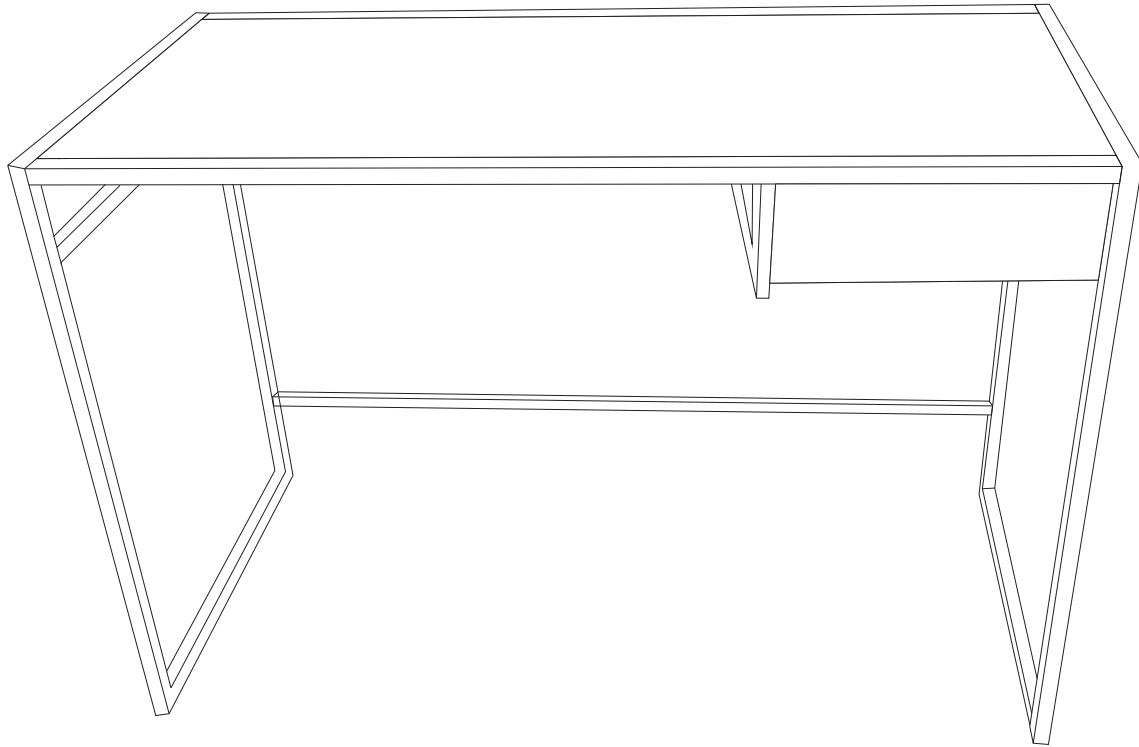








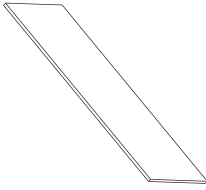


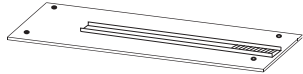


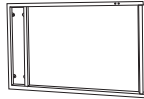
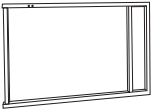







TEUN

Desk

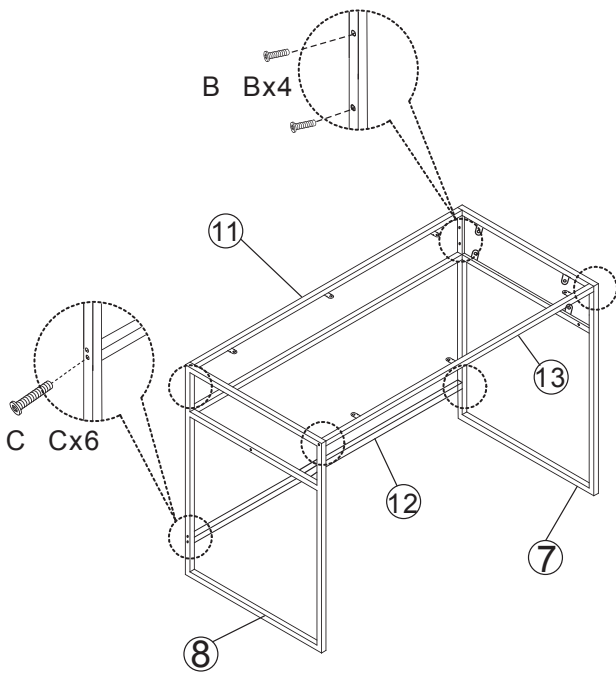


HARDWARE LIST

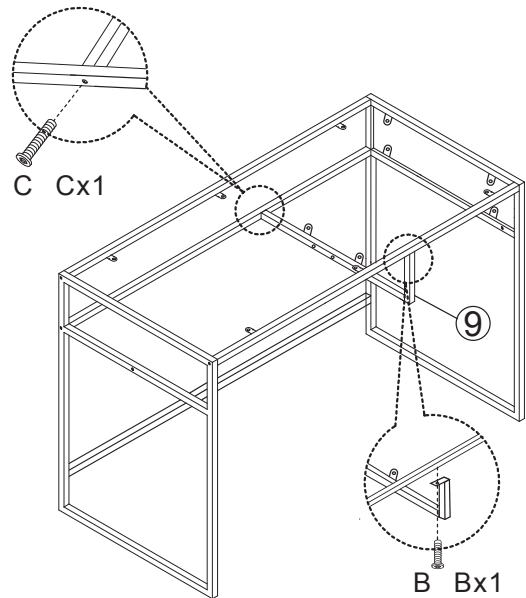
REF		HARDWARE NAME	QTY
A			4 PCS
B		M6x13mm	7 PCS
C		M6x35mm	8 PCS
D		M4x14mm	12 PCS
E		M4x35mm	4 PCS
F		M4	1 PC

<p>①x1</p> 	<p>②x1</p>  <p>RIGHT</p>	<p>③x1</p>  <p>LEFT</p>	<p>④x1</p>  <p>RIGHT</p>		
	<p>⑤x1</p>  <p>LEFT</p>	<p>⑥x1</p> 	<p>⑦x1</p> 		
<p>⑧x1</p> 	<p>⑨x1</p> 	<p>⑩x1</p> 	<p>⑪x1</p> 	<p>⑫x1</p> 	<p>⑬x1</p> 
<p>⑭x1</p> 	<p>⑮x1</p> 				

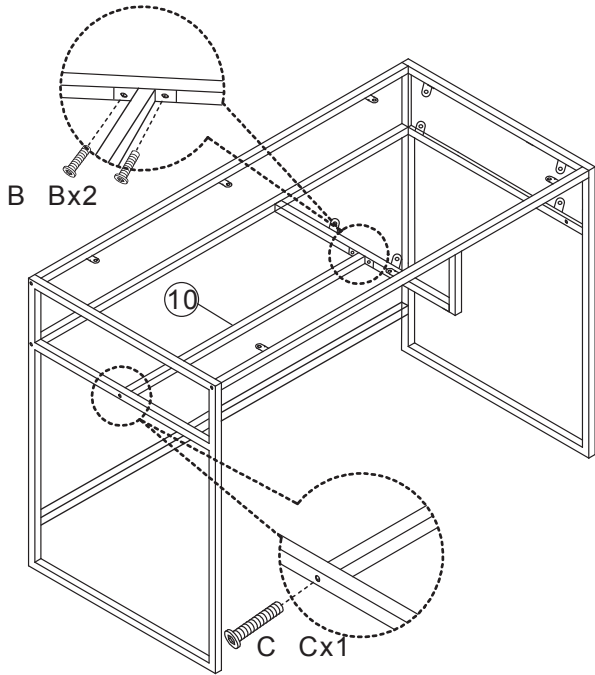
STEP 1



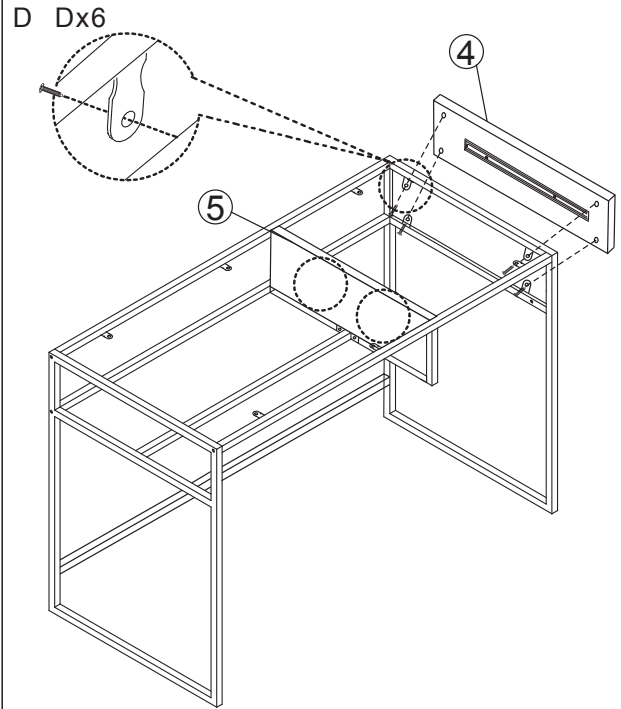
STEP 2



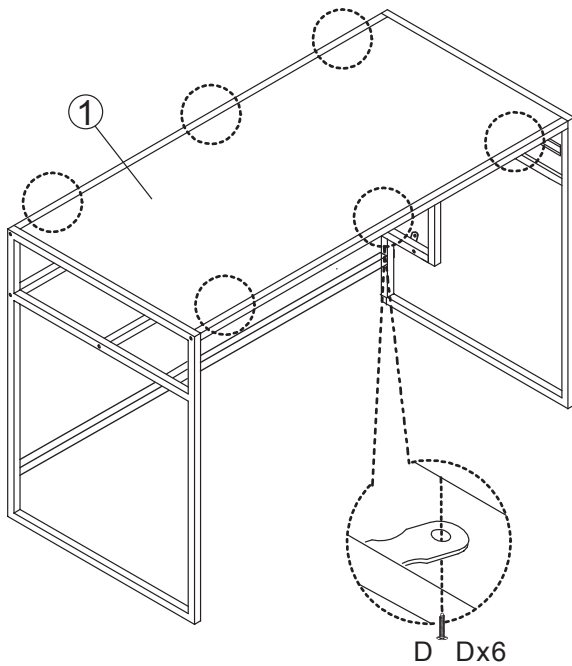
STEP 3



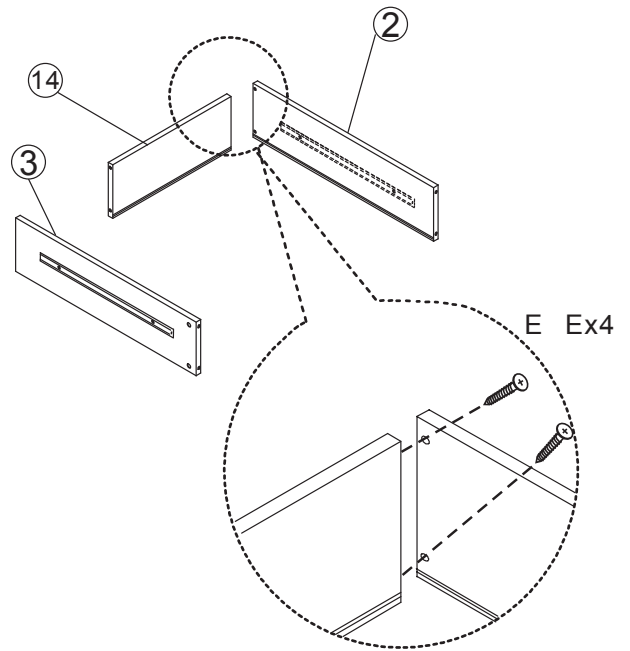
STEP 4



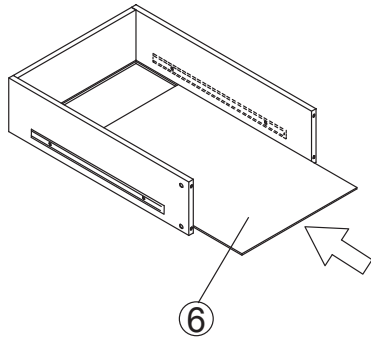
STEP 5



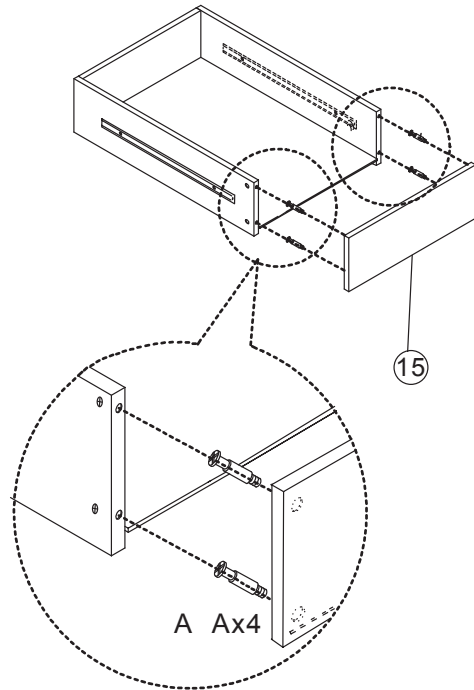
STEP 6



STEP 7



STEP 8



STEP 9

