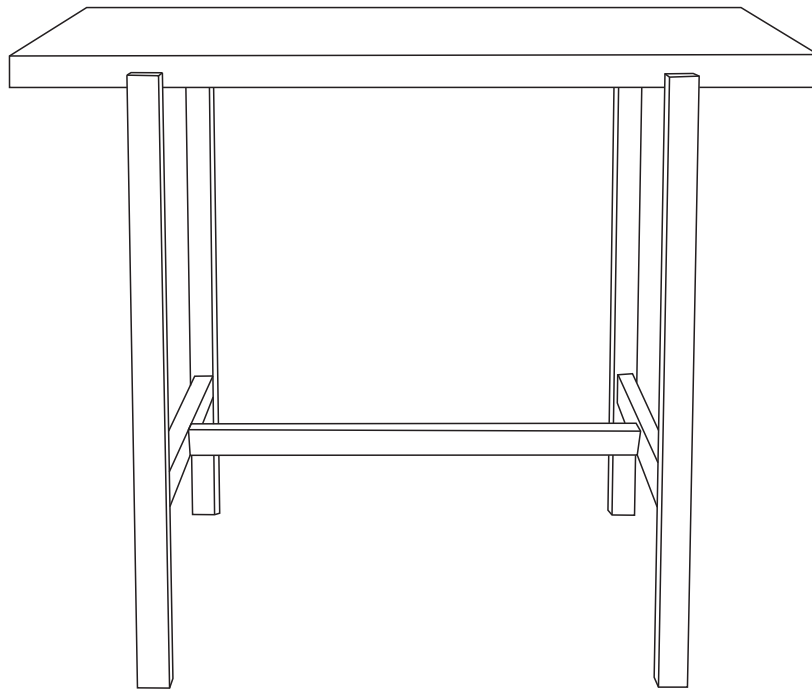




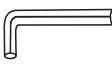



TURN AROUND

sidetable



HARDWARE LIST

REF		HARDWARE NAME	QTY
A			6PCS
B			4PCS
C			1PCS
D			4PCS



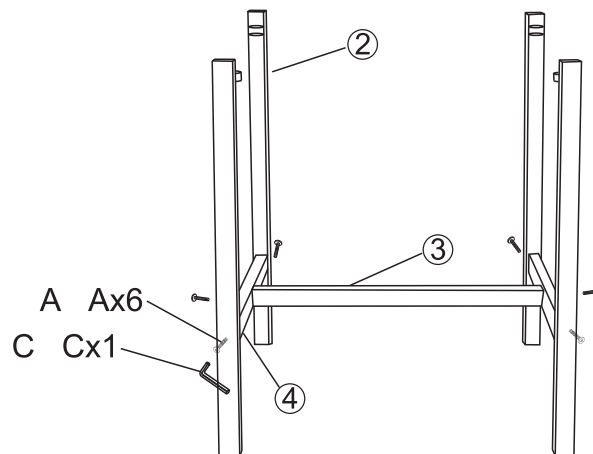
TURN AROUND

sidetable

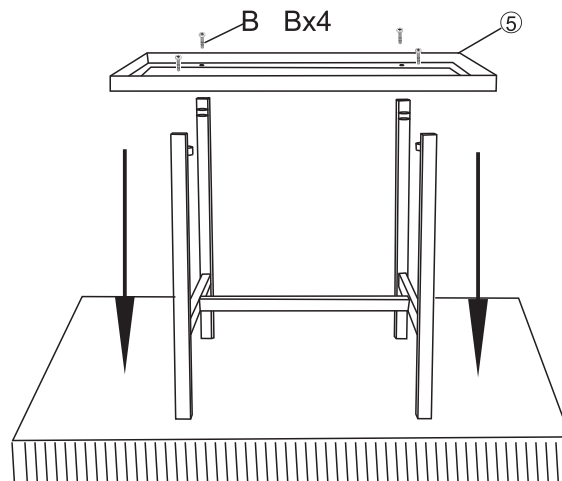
PART LIST

①x1 	②x4 	③x1 	④x2 	⑤x1
---------	---------	---------	---------	---------

STEP 1



STEP 2

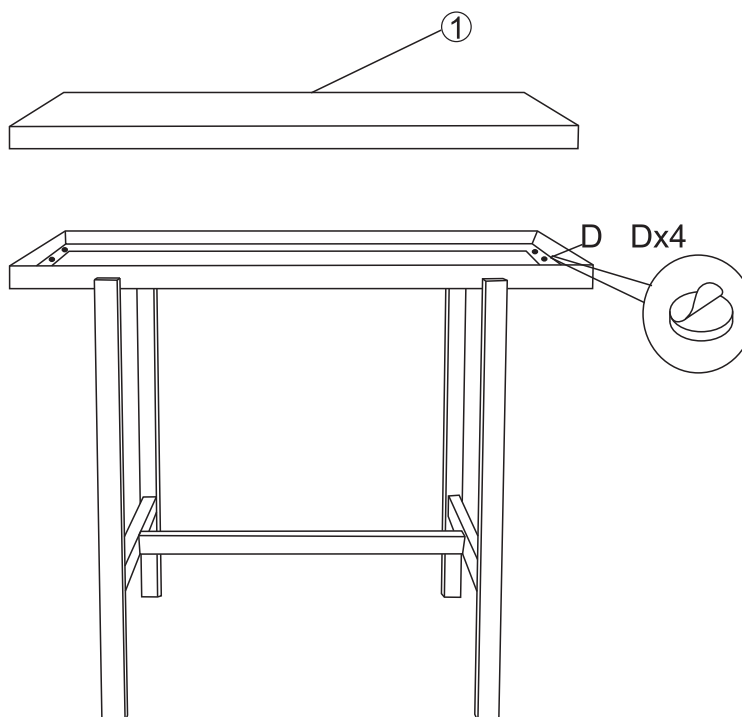




TURN AROUND

sidetable

STEP 3



STEP 4

