
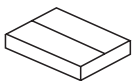


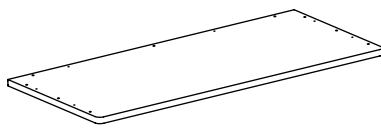


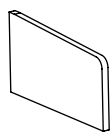


Kave® Cares

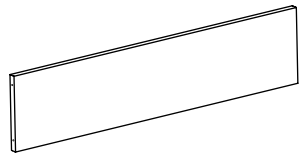
			
30 min	x5	x2	x1



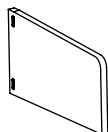
A x1



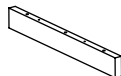
B x1



C x1



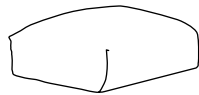
D x1



E x2



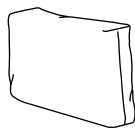
F x1



G x2



H x2



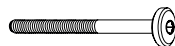
I x2



J x2
M8



K x12
8x30mm



L x17
M8x90mm



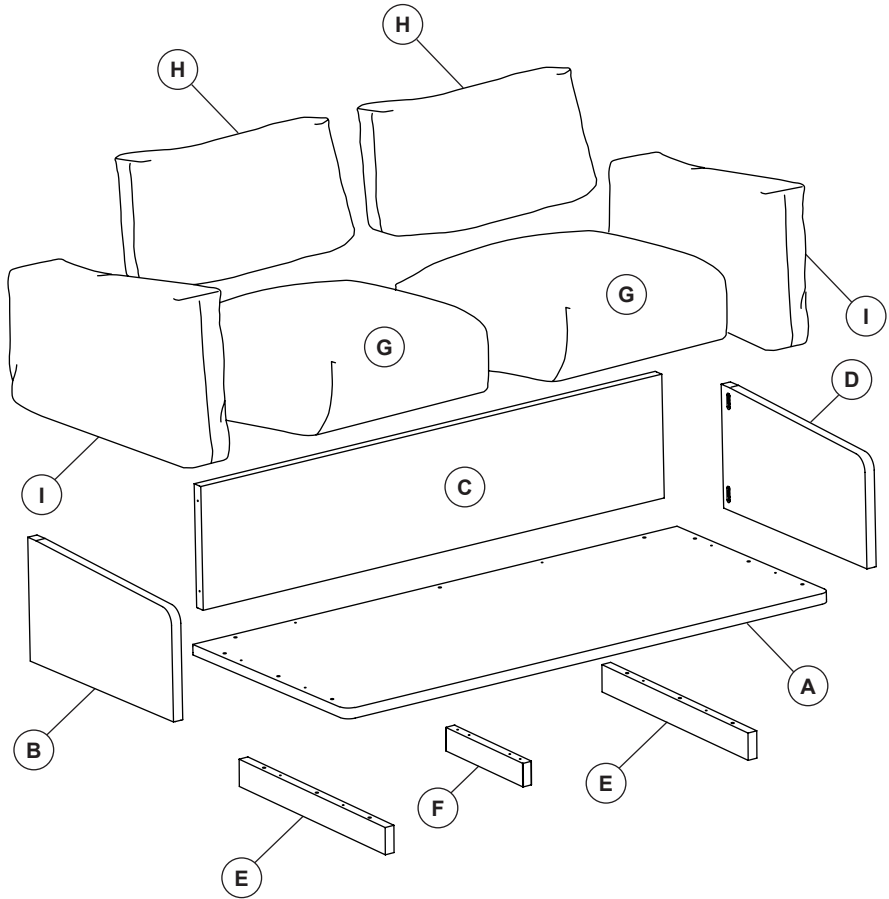
M x17
ø24mm



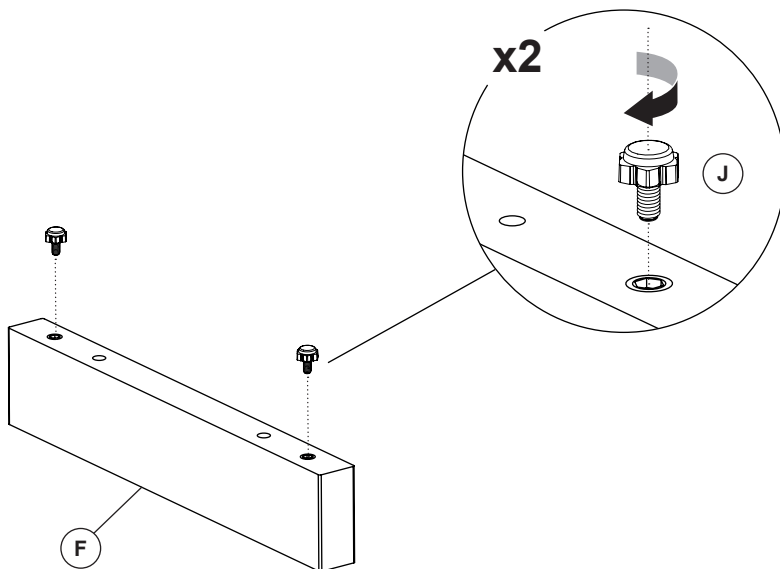
N x1
5mm



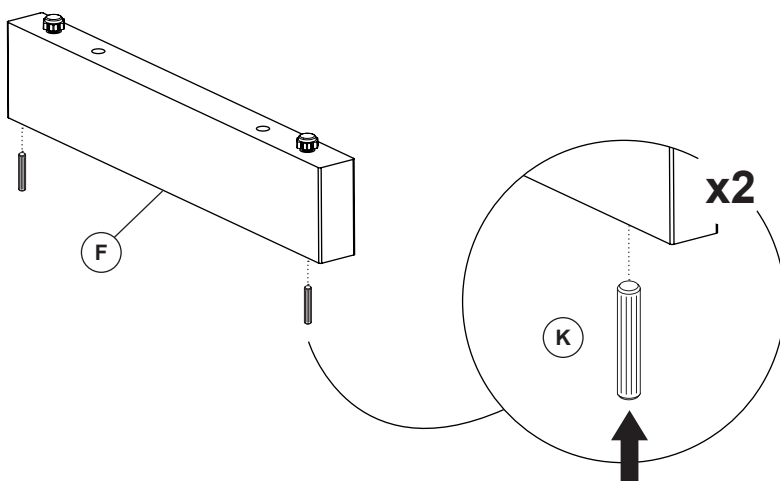
O x4
ø5x13mm



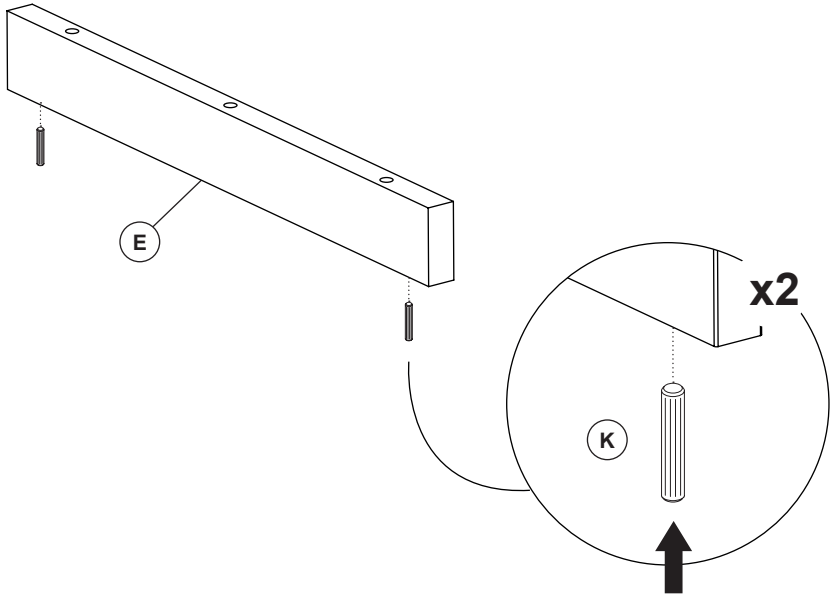
1



2



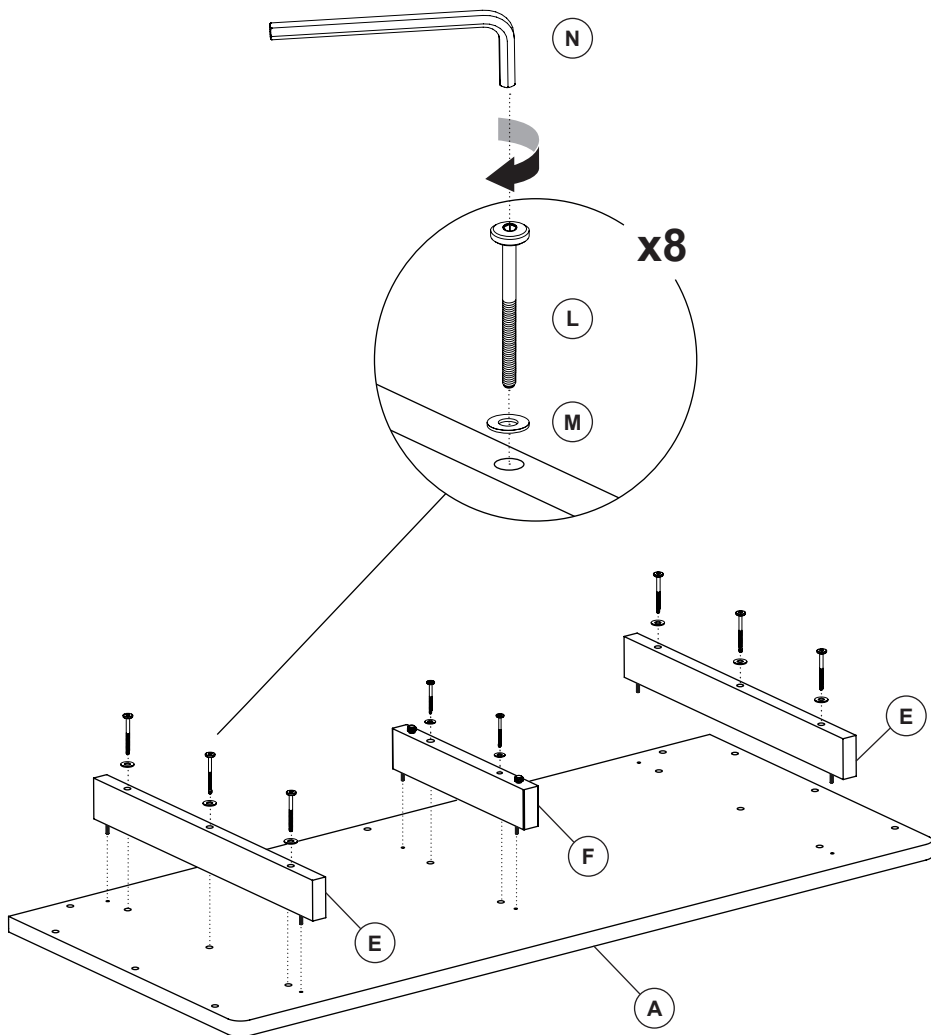
3



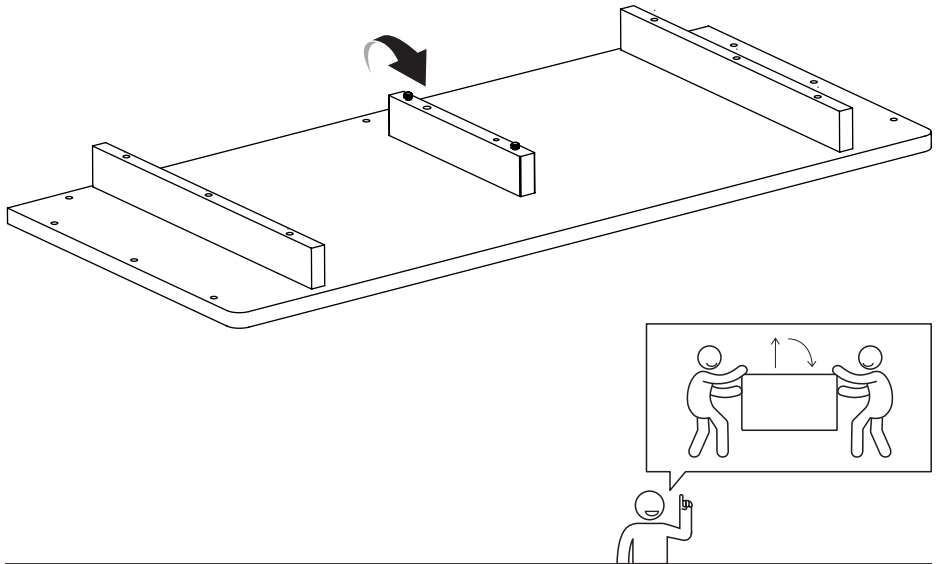
x2



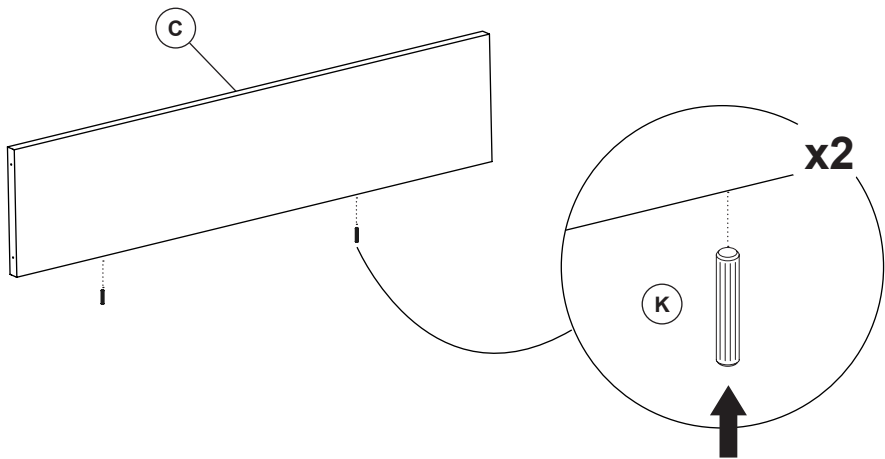
4



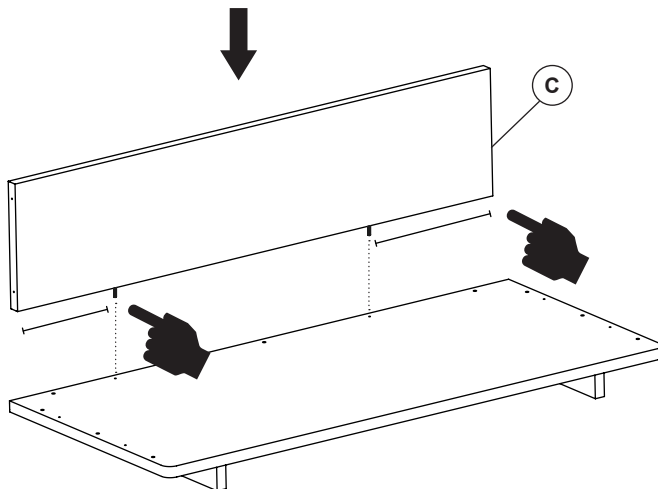
5



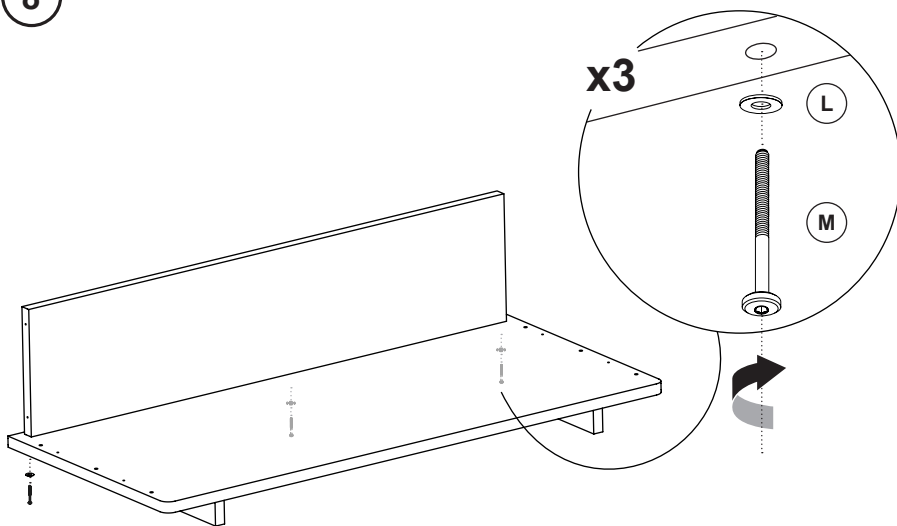
6



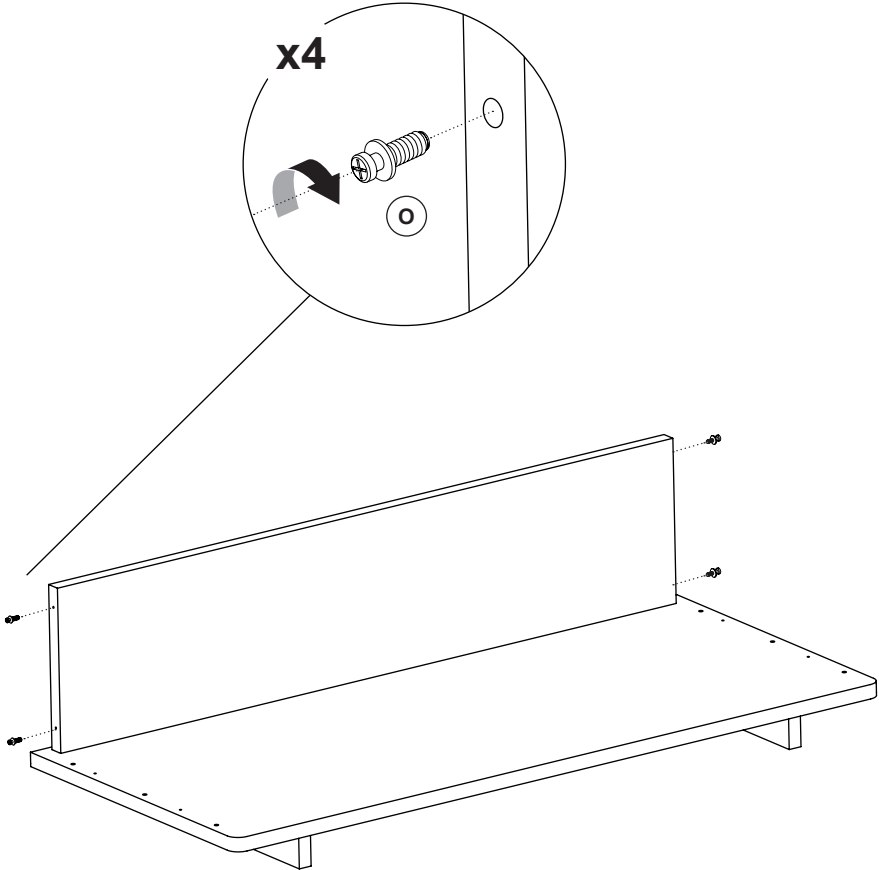
7



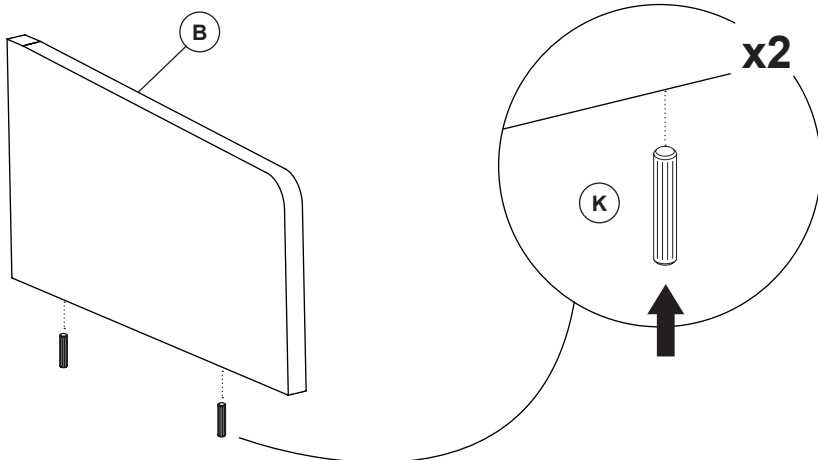
8



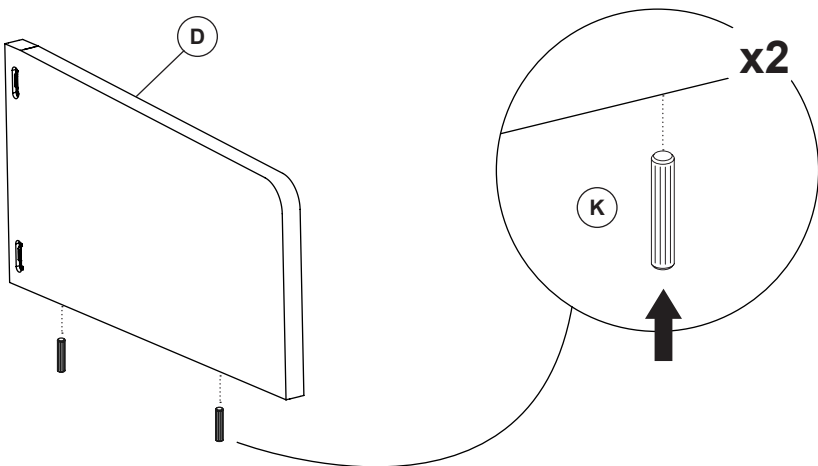
9



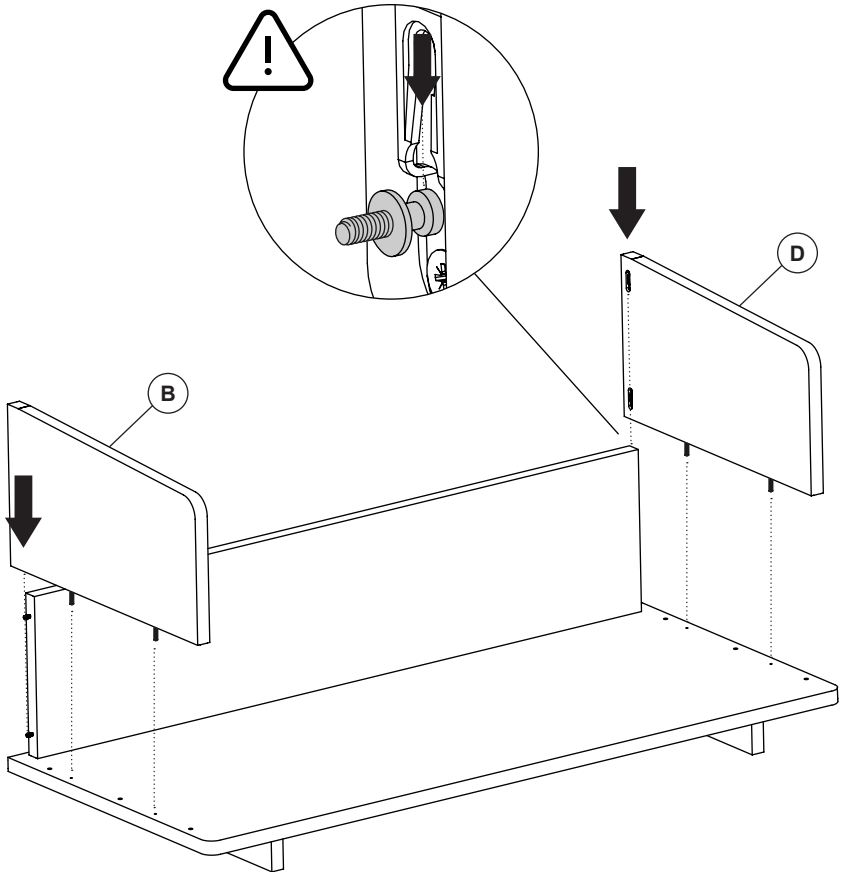
10



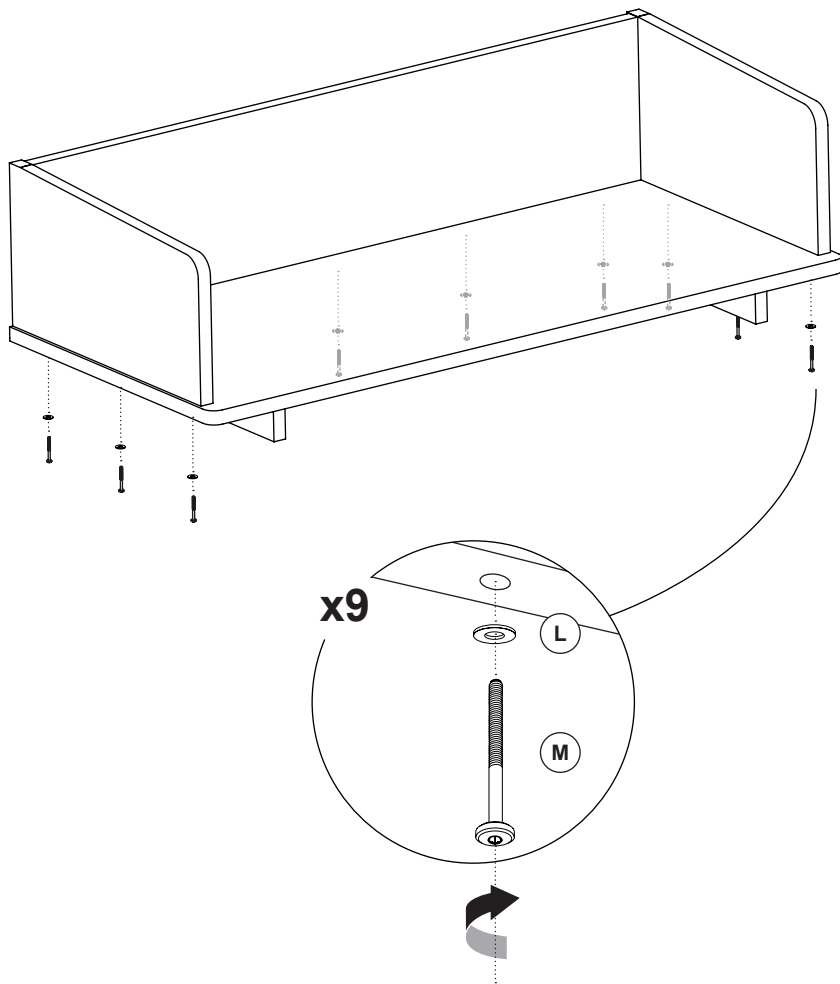
11



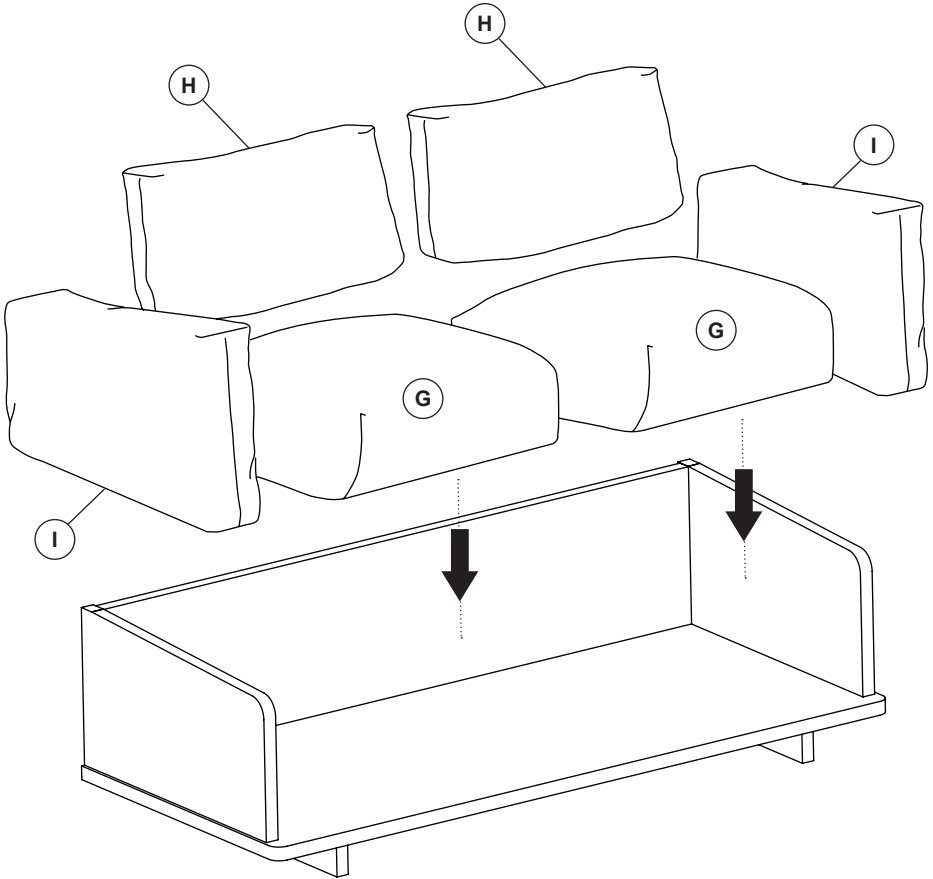
12

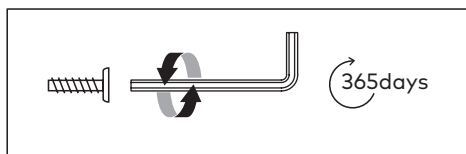
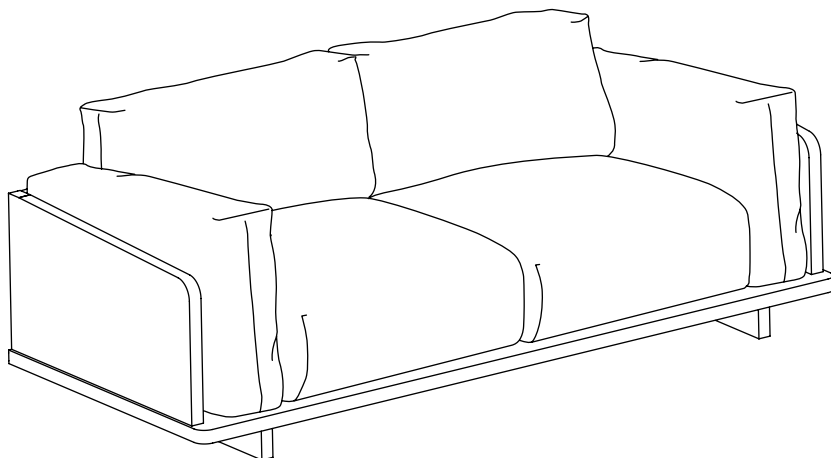


13



14







THAT'S ALL FOLKS

Share your style!

#KaveHome

