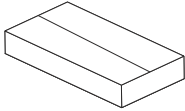
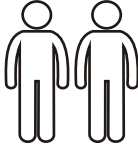
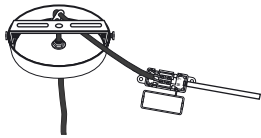
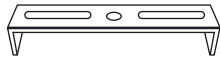
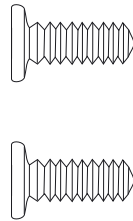
 10 min	 X1	 X2
---	---	---



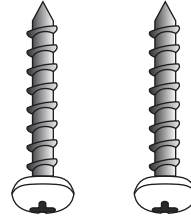
A x1



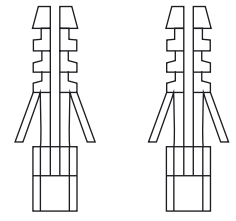
B x1



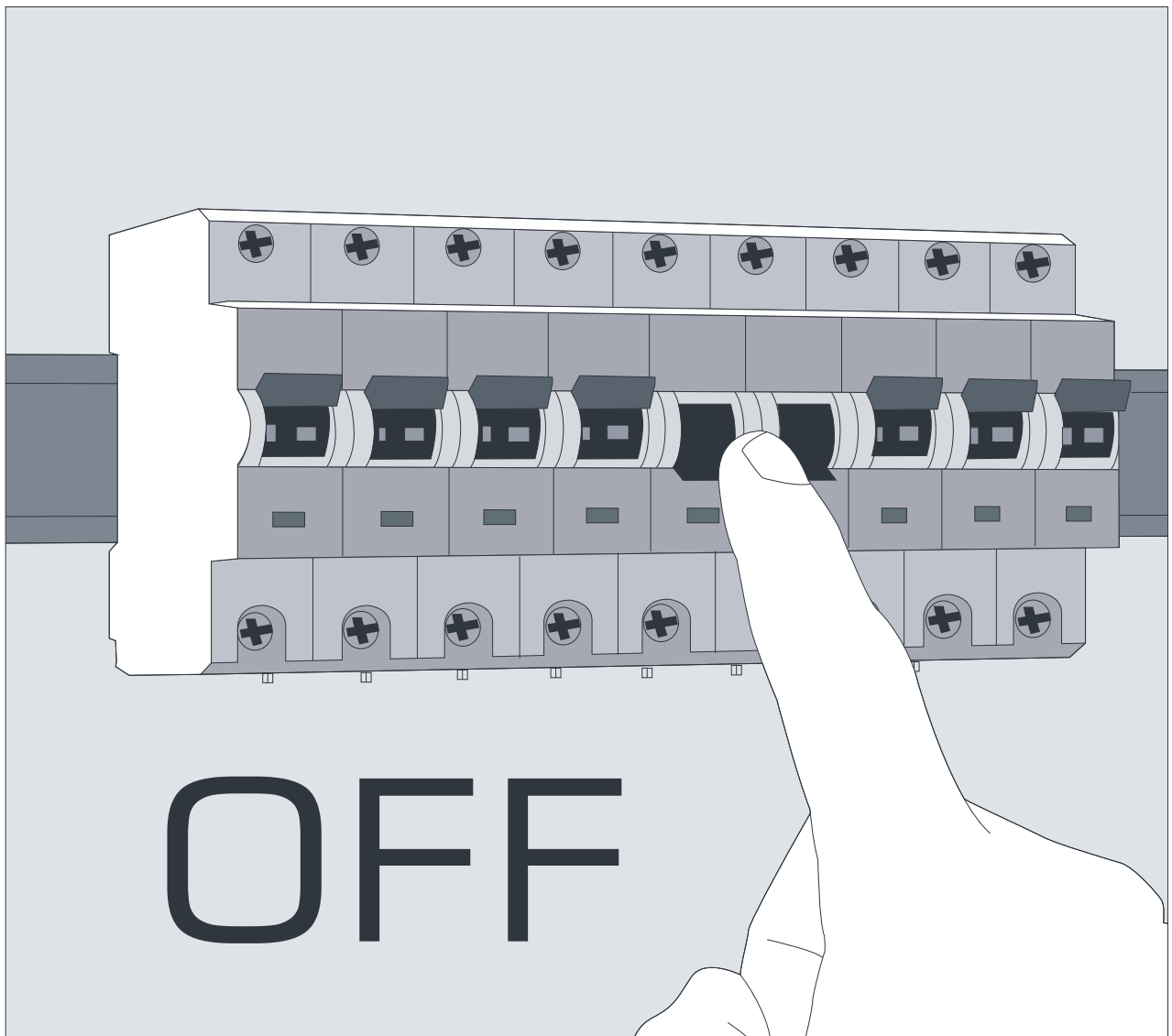
C x2



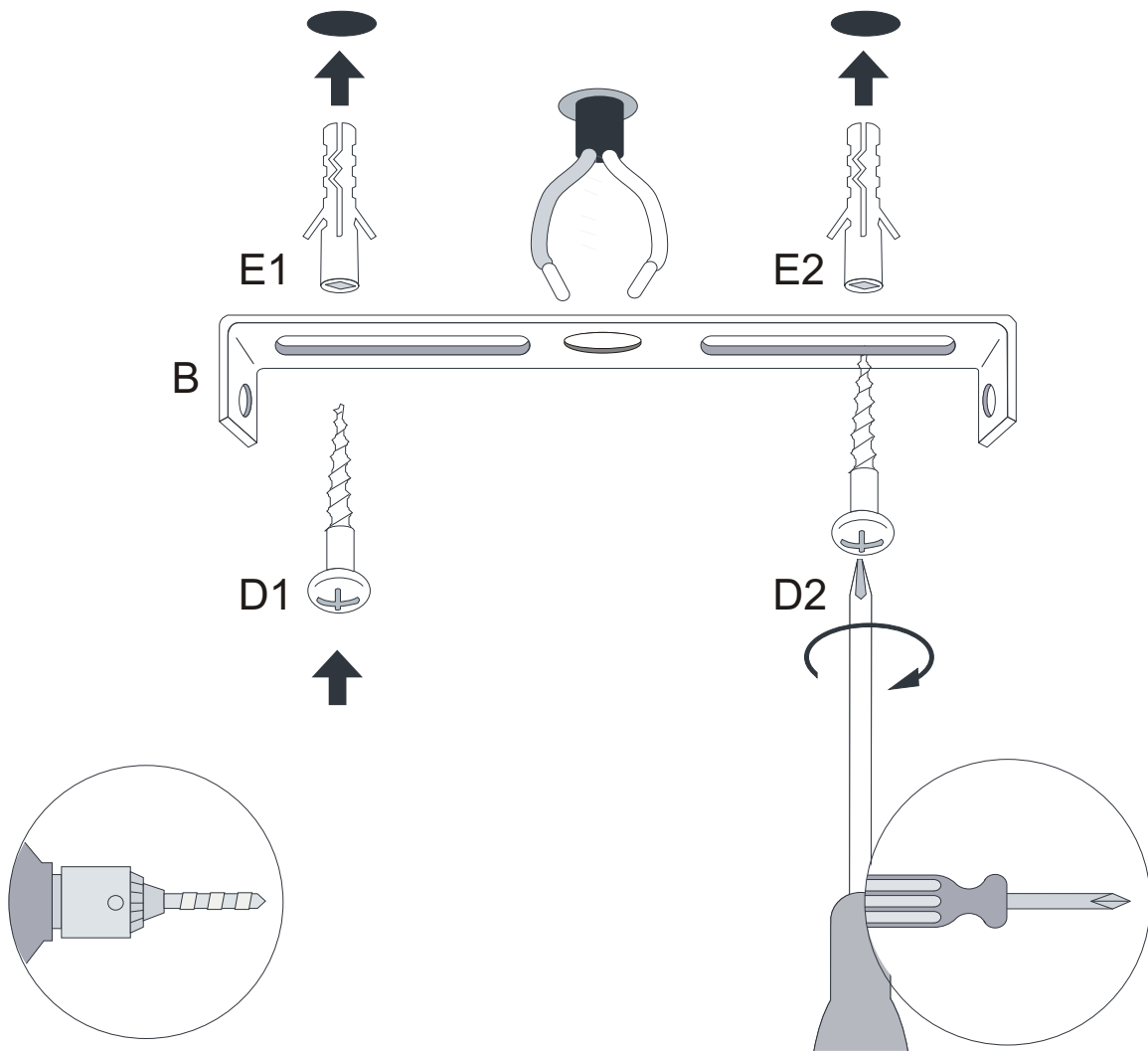
D x2



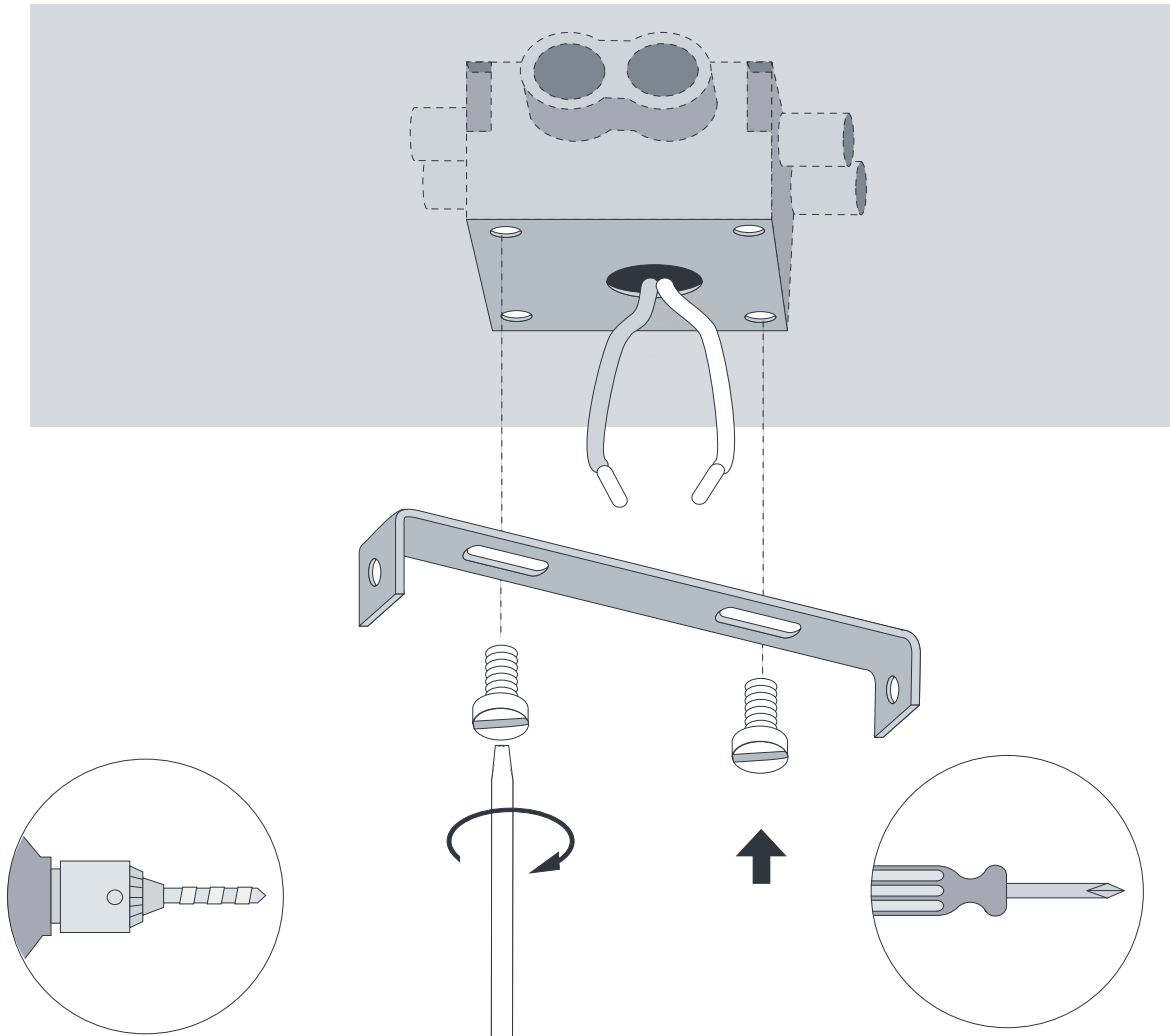
E x2



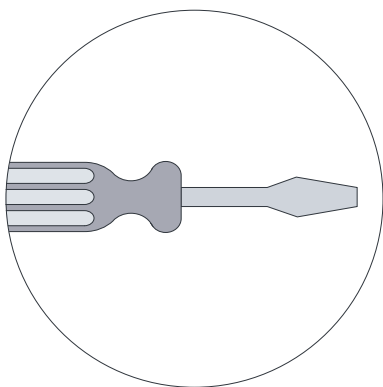
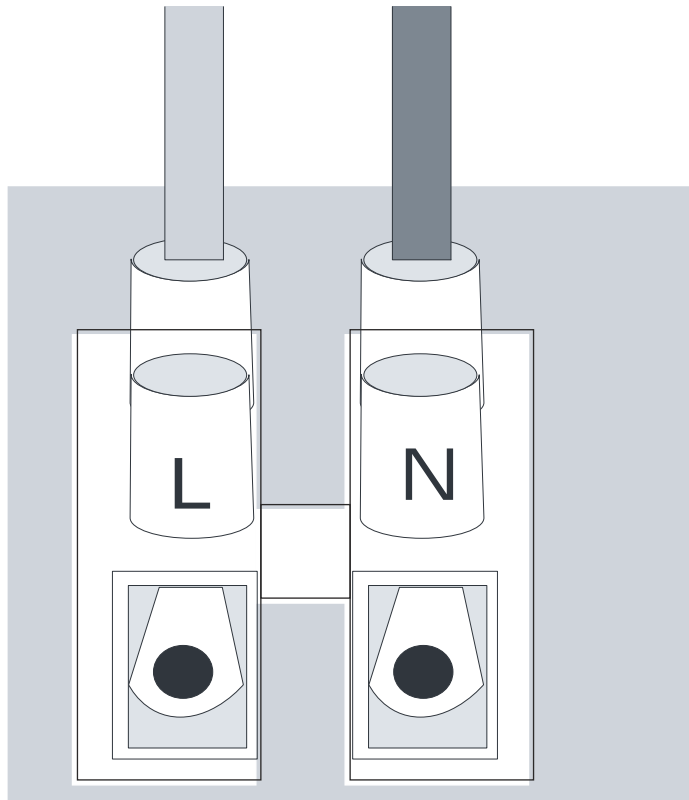
1



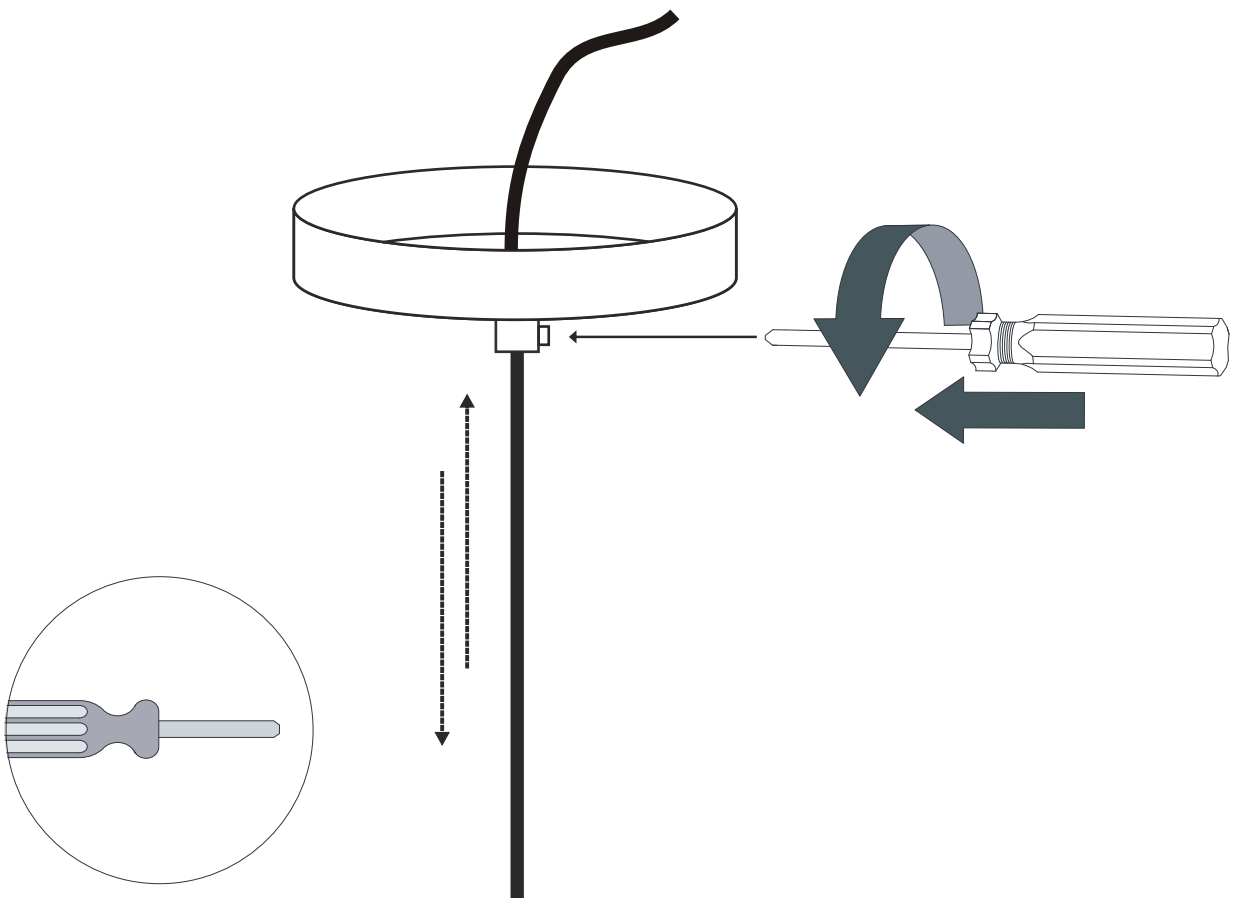
②



3

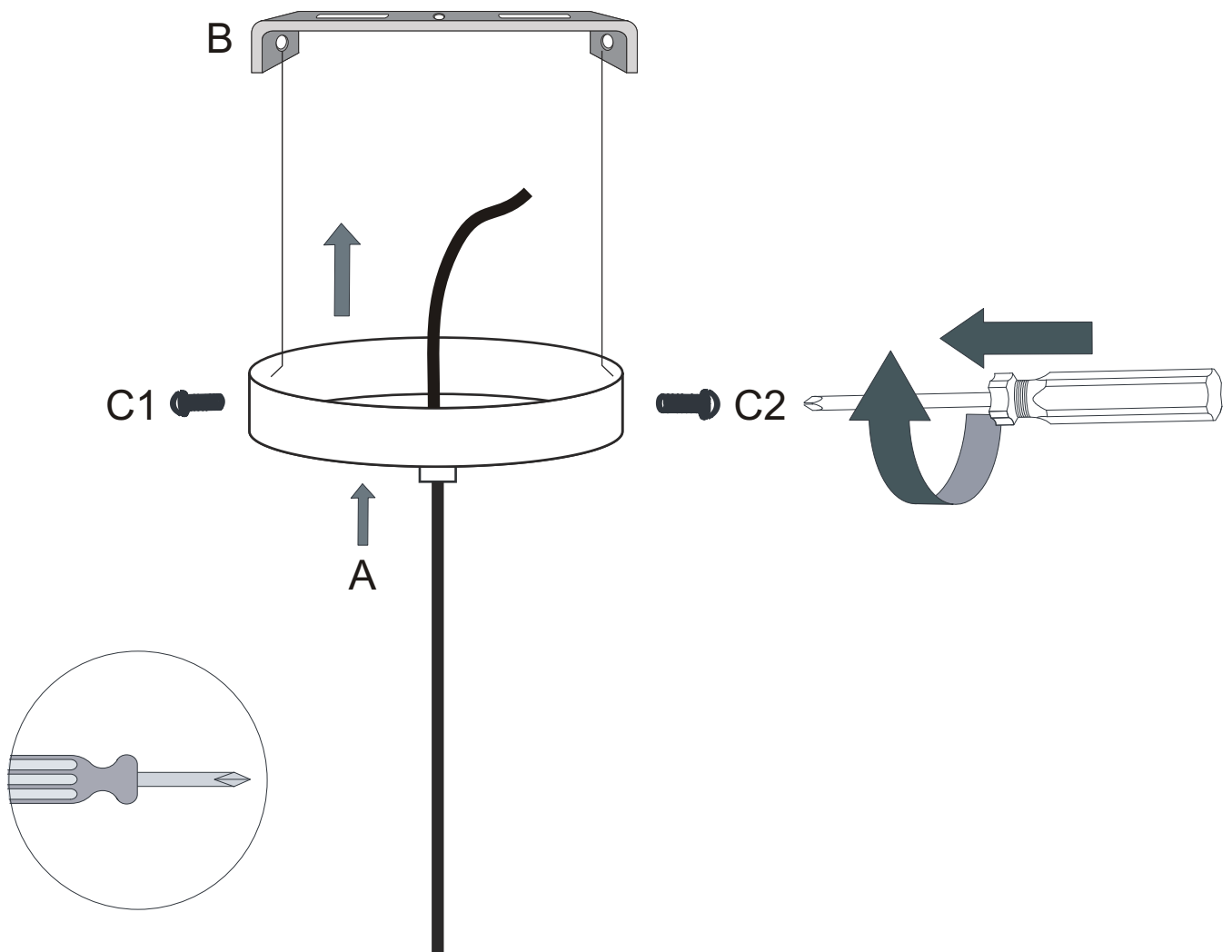


4





5









**THAT'S ALL FOLKS!**

Share your style!

**#KaveHome**

