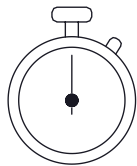
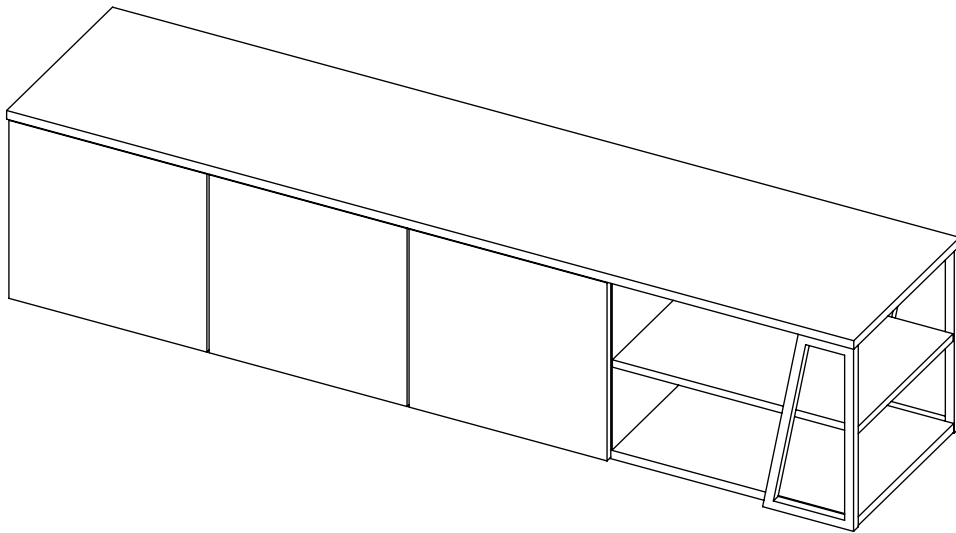
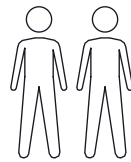


# ALBI



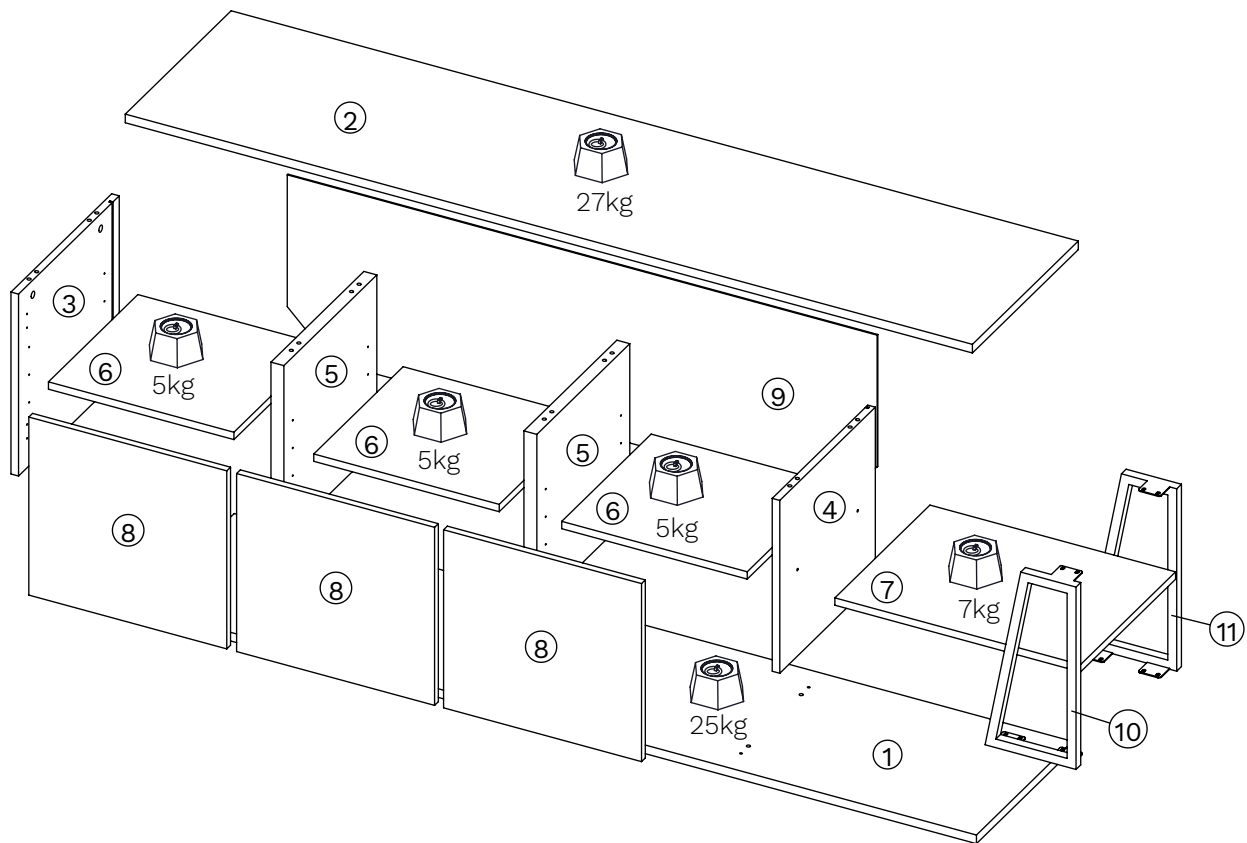
1 : 00




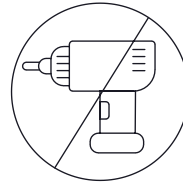
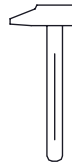
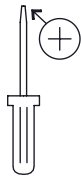
x 2



**TEMAHOME**  
welcome vibrations



	x	mm	
1	1	1880 x 408 x 19	1
2	1	1900 x 450 x 19	1
3	1	428 x 421 x 16	2
4	1	406 x 400 x 16	2
5	2	400 x 395 x 28	2
6	3	416 x 380 x 16	2
7	1	551 x 404 x 16	1
8	3	444 x 412 x 16	1
9	1	1323 x 405 x 3	1
10	1	422 x 204 x 60	2
11	1	422 x 204 x 60	2



Ø7 x 41mm  
BAA x 18



AAA x 20



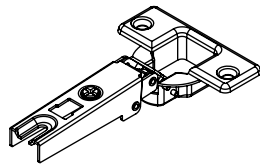
Ø8 x 40mm  
DAC x 16



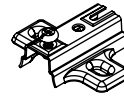
Ø4 x 16mm  
GGK x 12



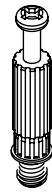
Ø4 x 16mm  
GGS x 16



KDC x 6



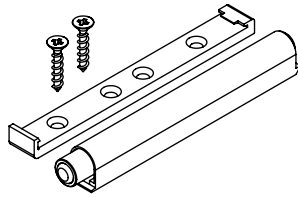
KAC x 6



Ø7 x 38mm  
KDC x 2



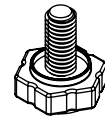
DMB x 12



OY x 3



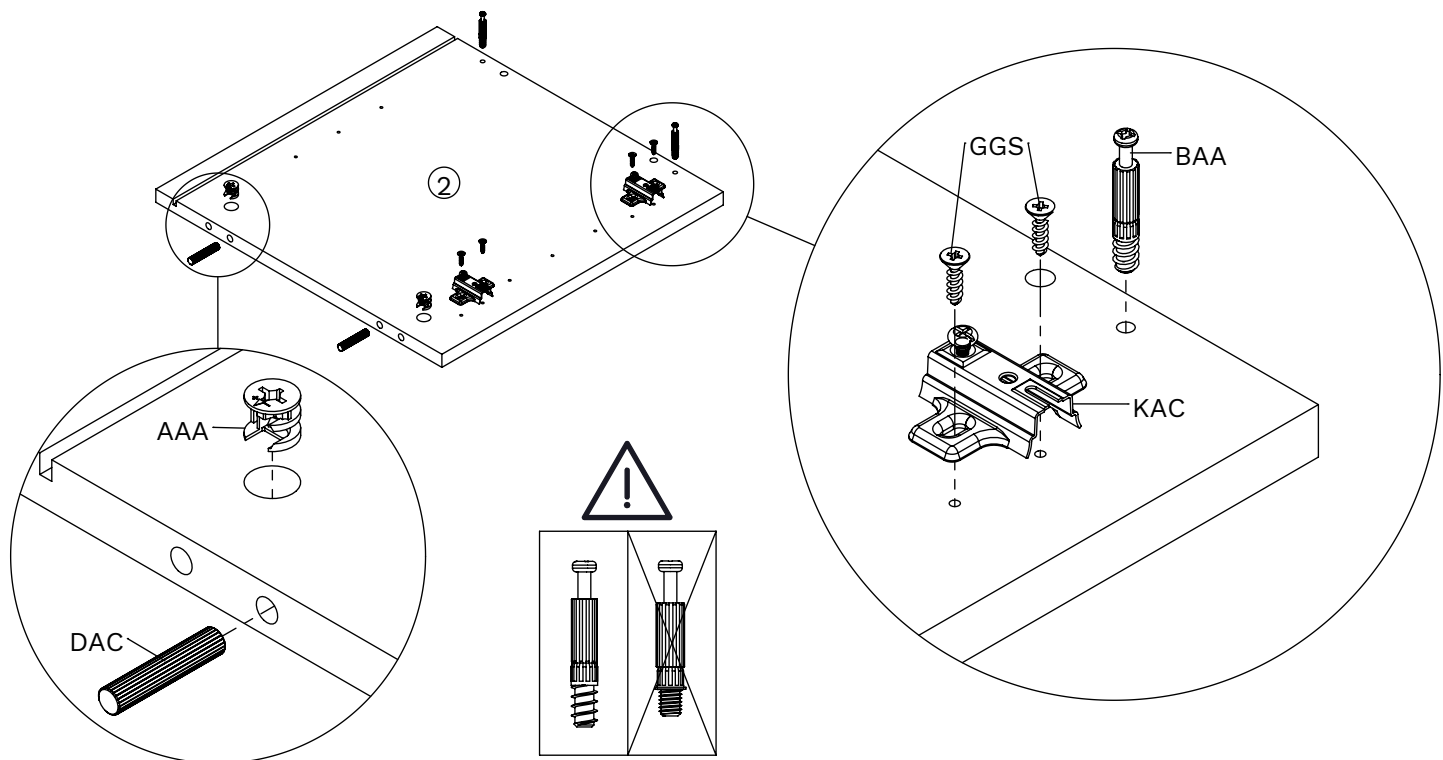
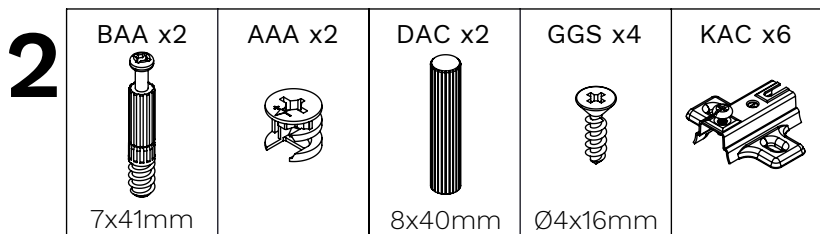
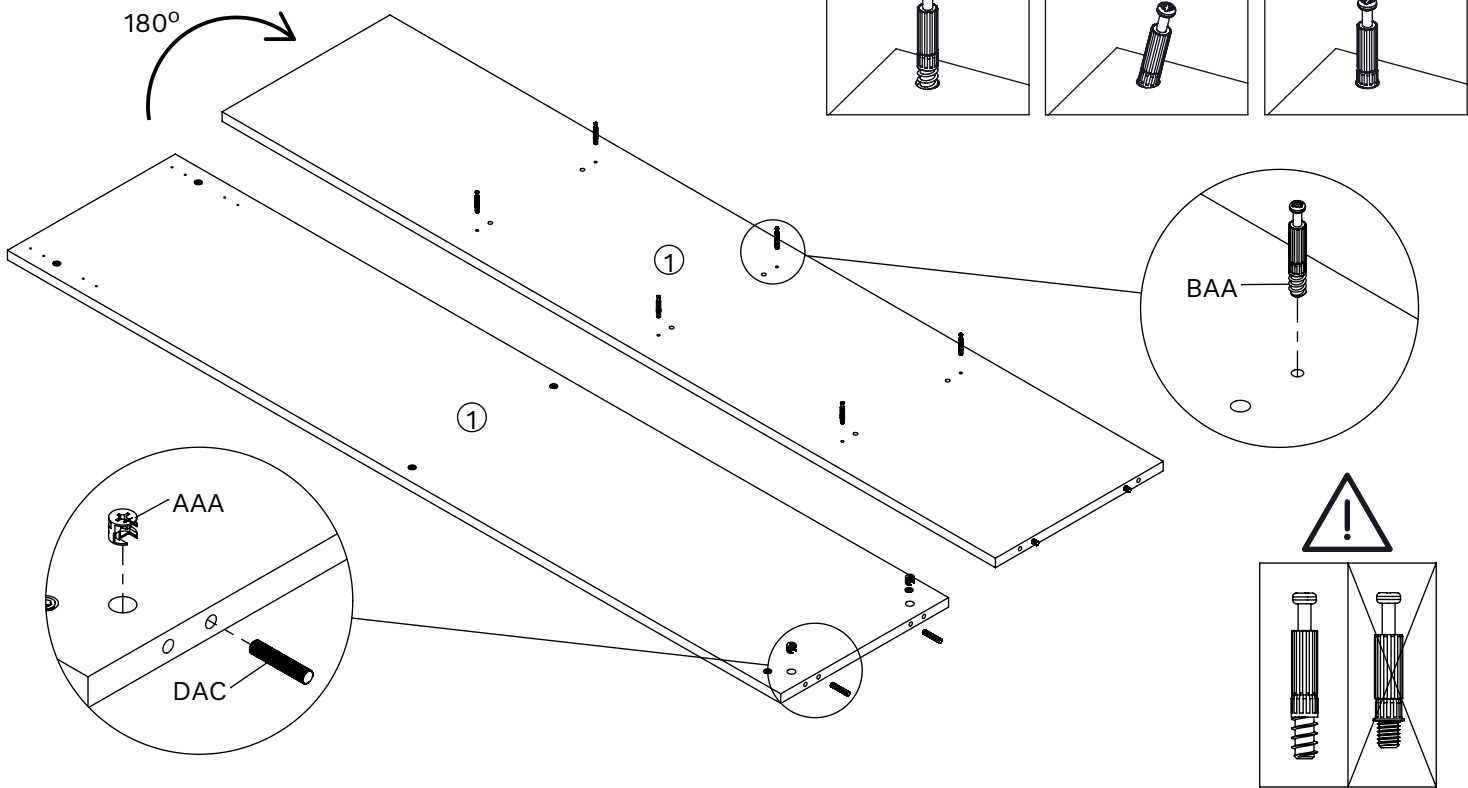
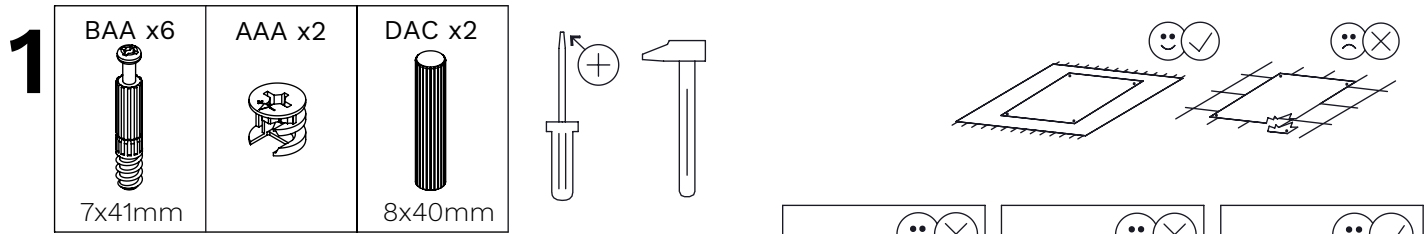
Ø3,5 x 16mm  
GGC x 6







RCA x 6

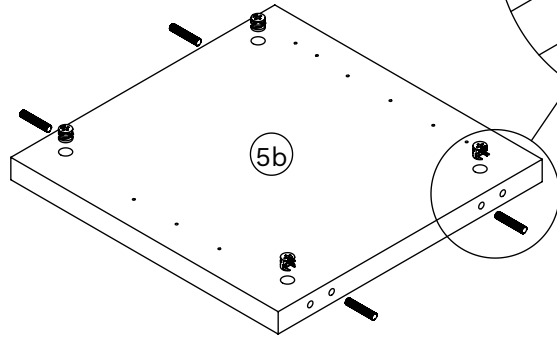
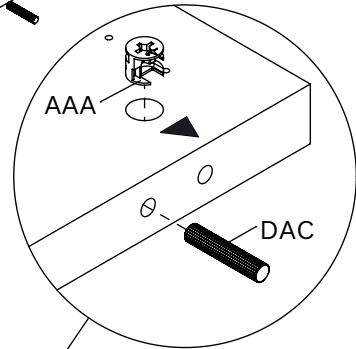
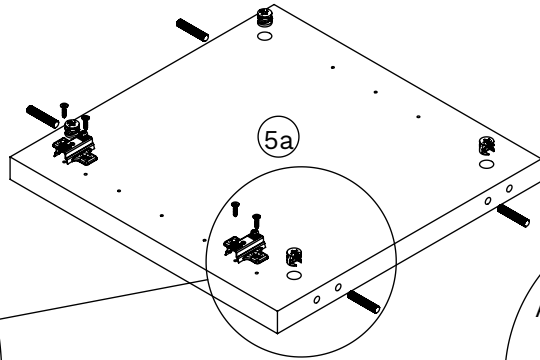
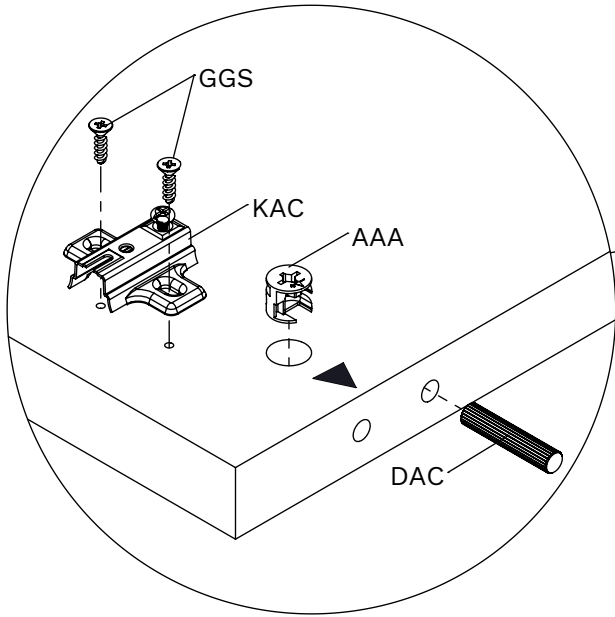
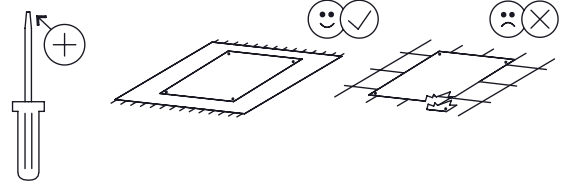


EDH/EDF x 18


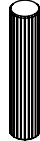
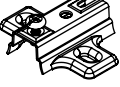




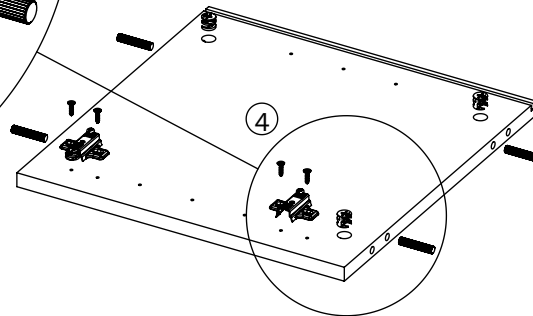
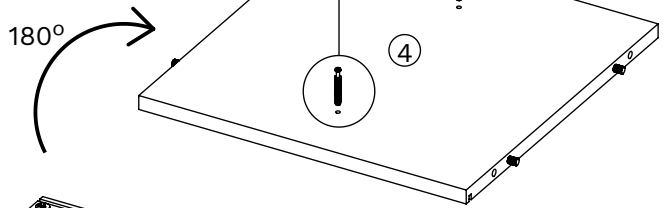
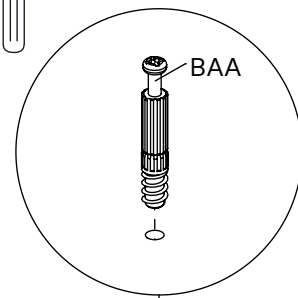
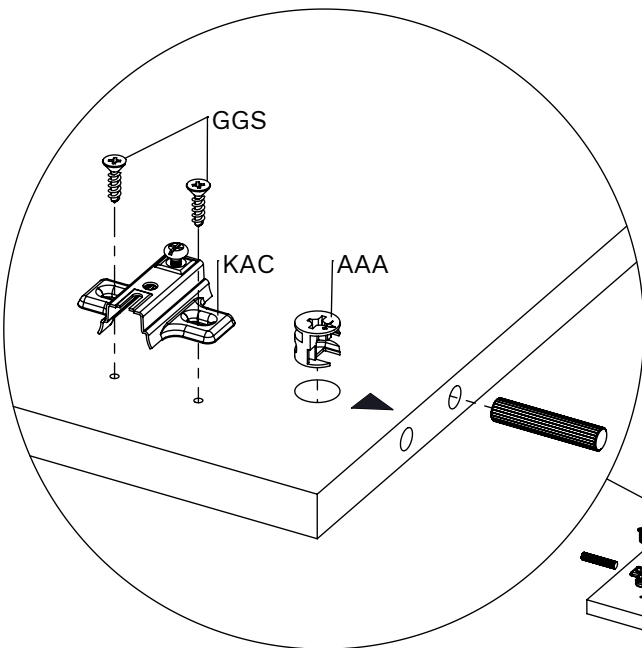
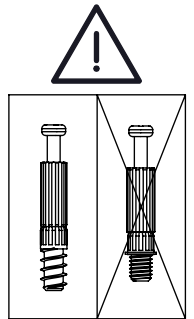
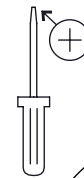
# 3

AAA x4 	DAC x4 8x40mm 	KAC x2 	GGG x4 Ø4 x 16mm 
---	--	---	--

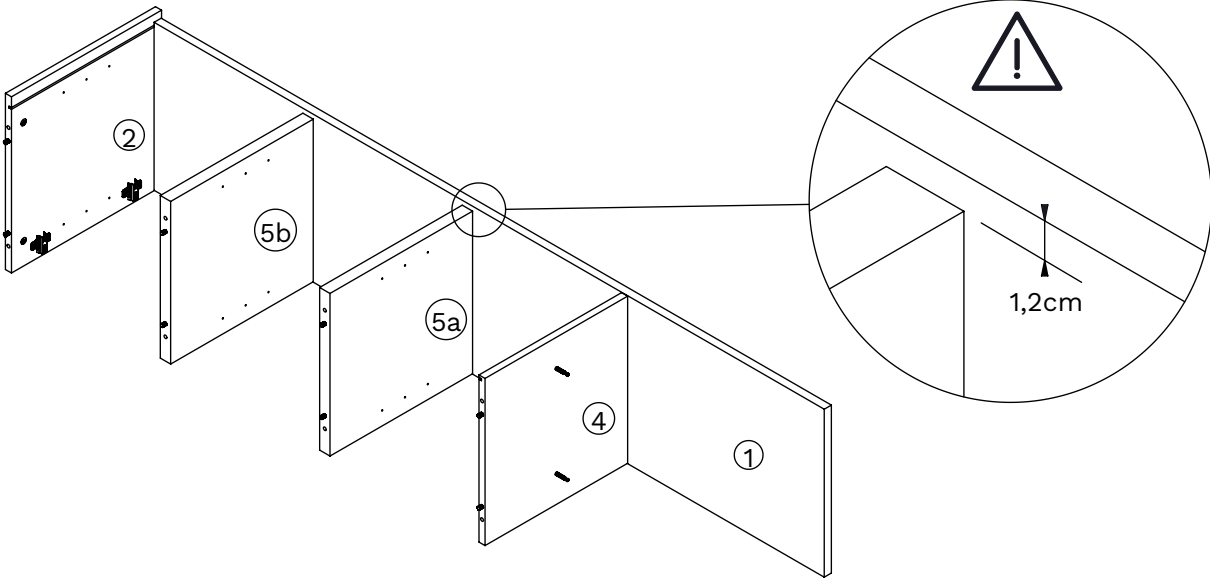
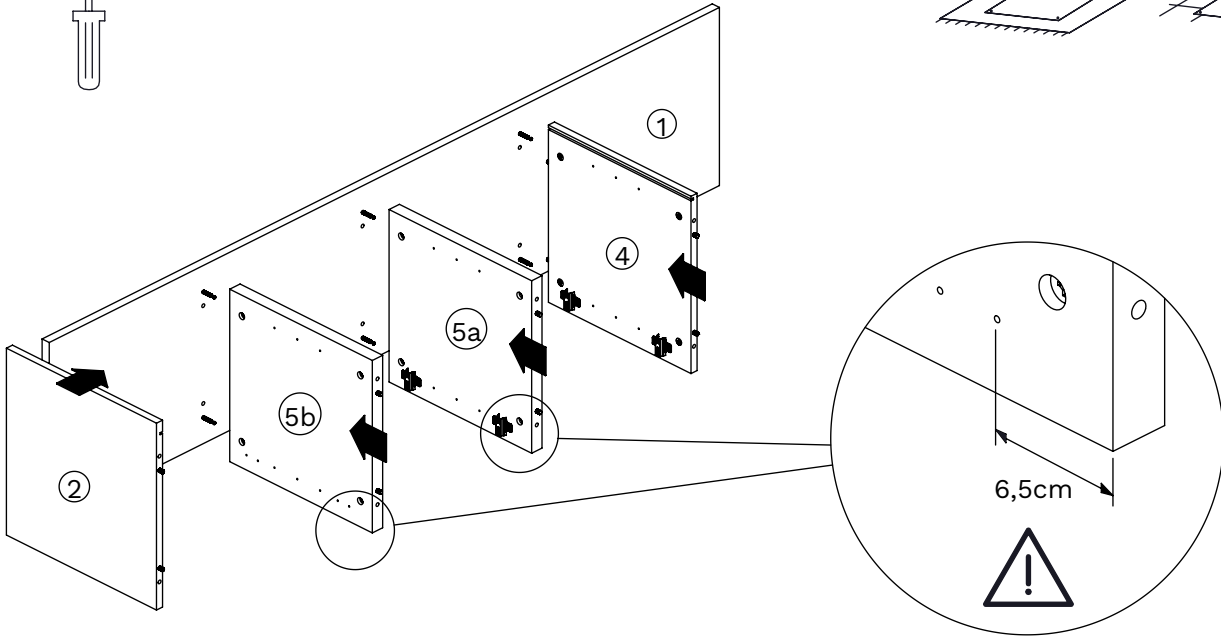
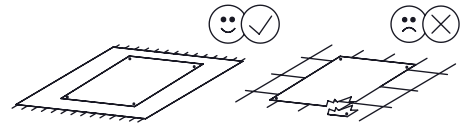
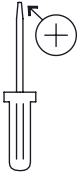


# 4

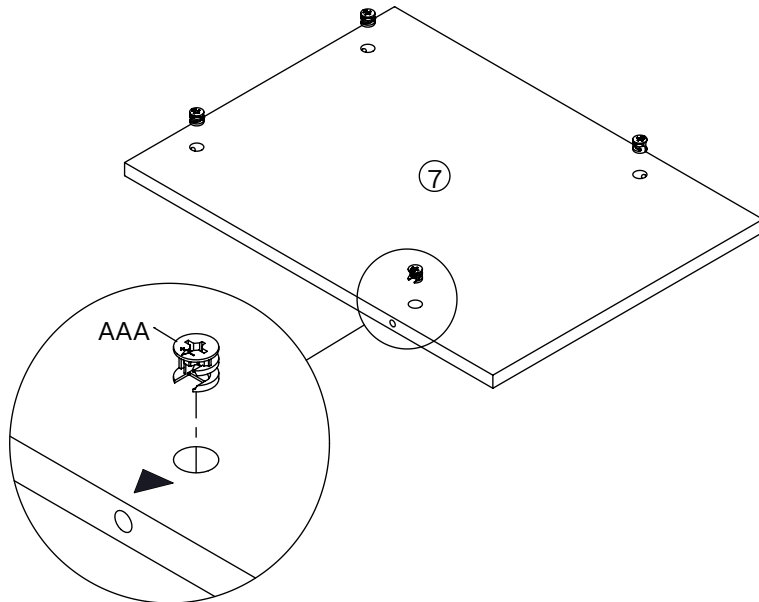
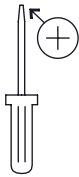
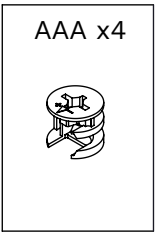
AAA x4 	DAC x4 8x40mm 	KAC x2 	GGG x4 Ø4 x 16mm 	BAA x2 Ø7 x 41mm 
---	---	---	--	--



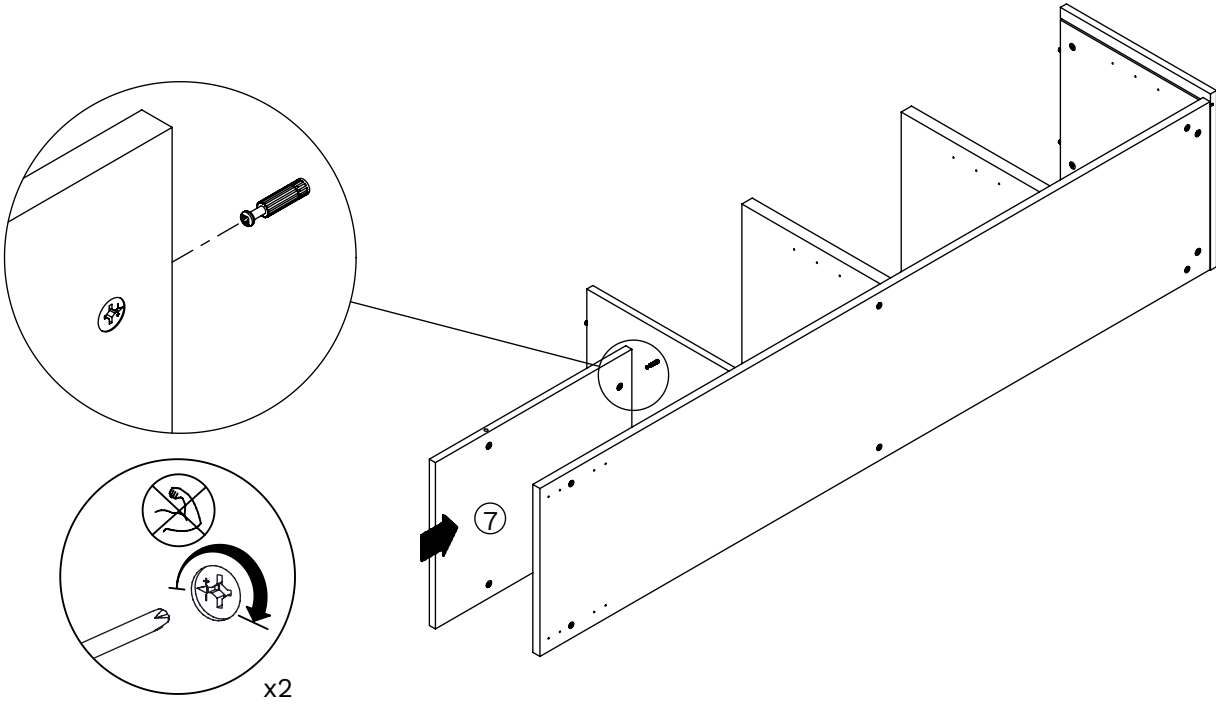
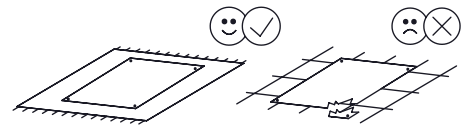
5



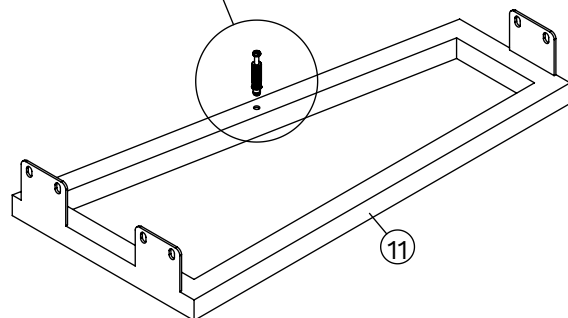
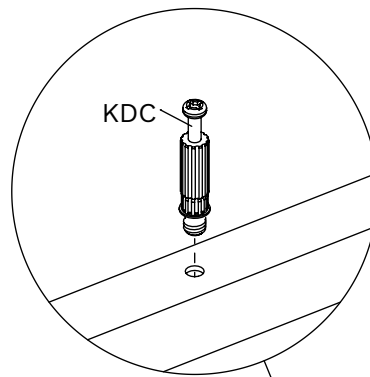
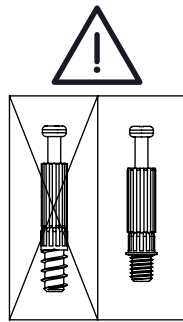
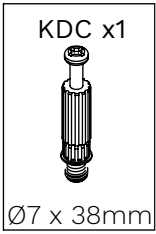
6



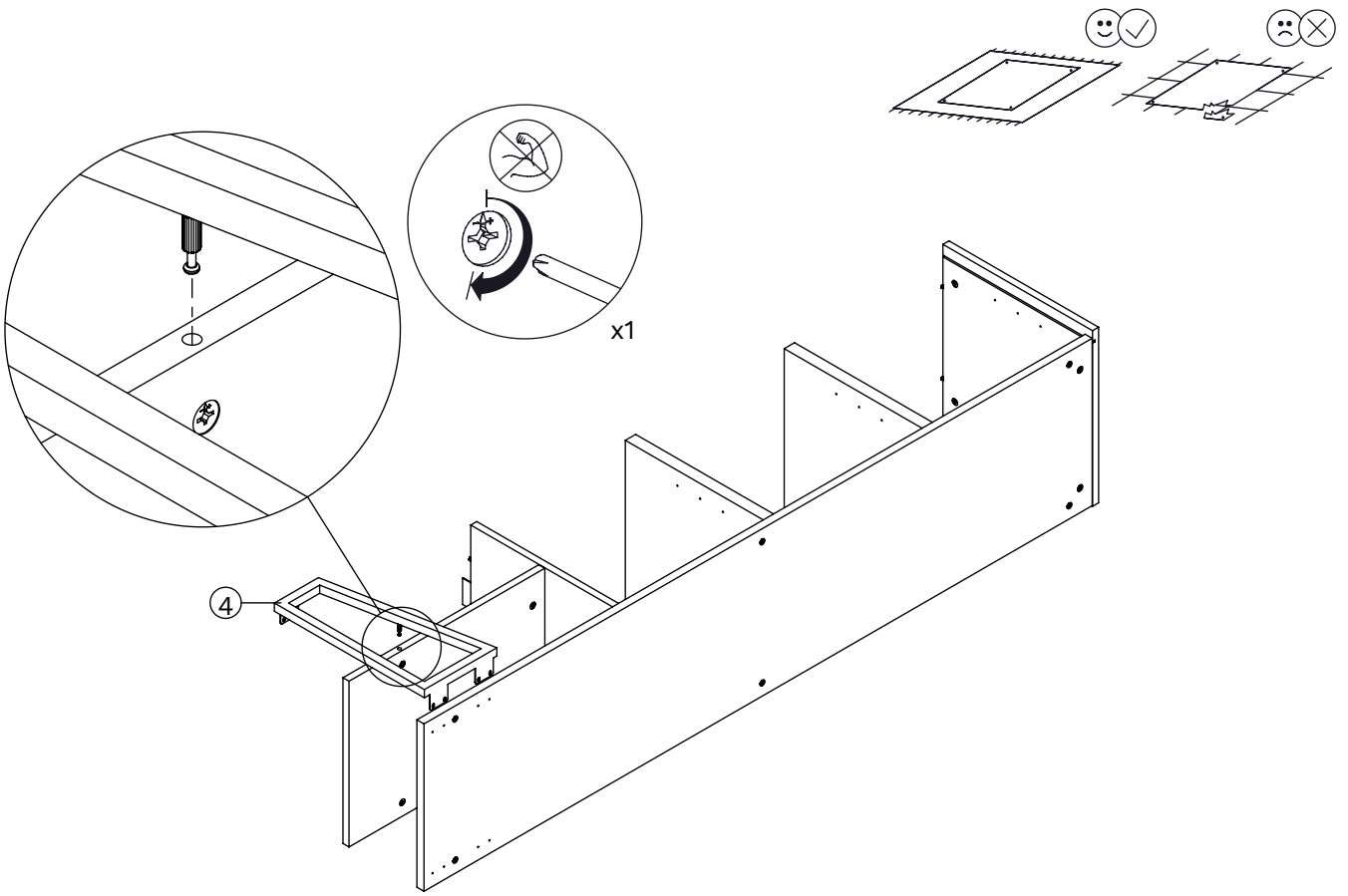
# 7



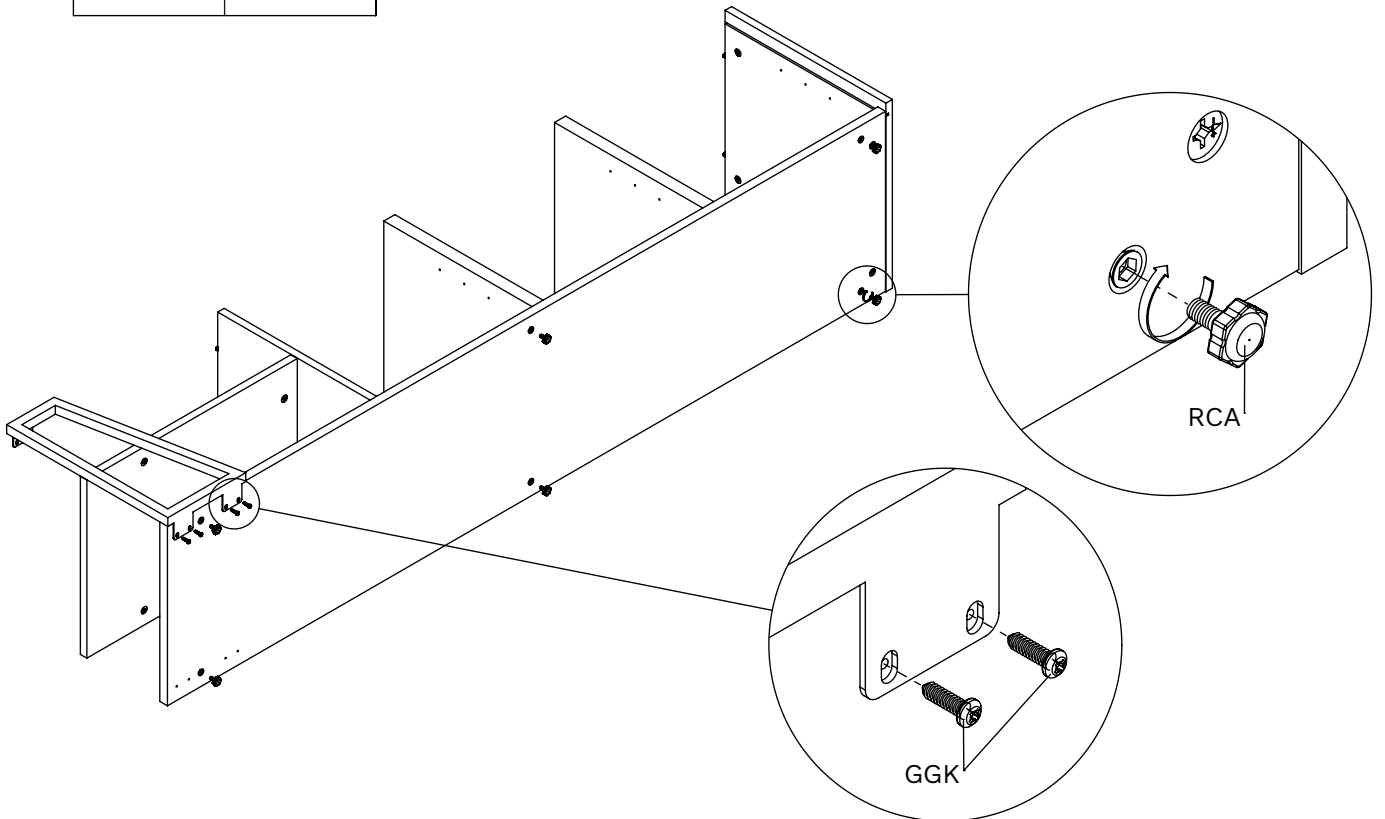
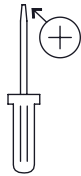
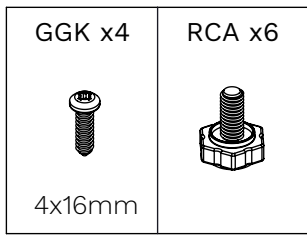
# 8



# 9

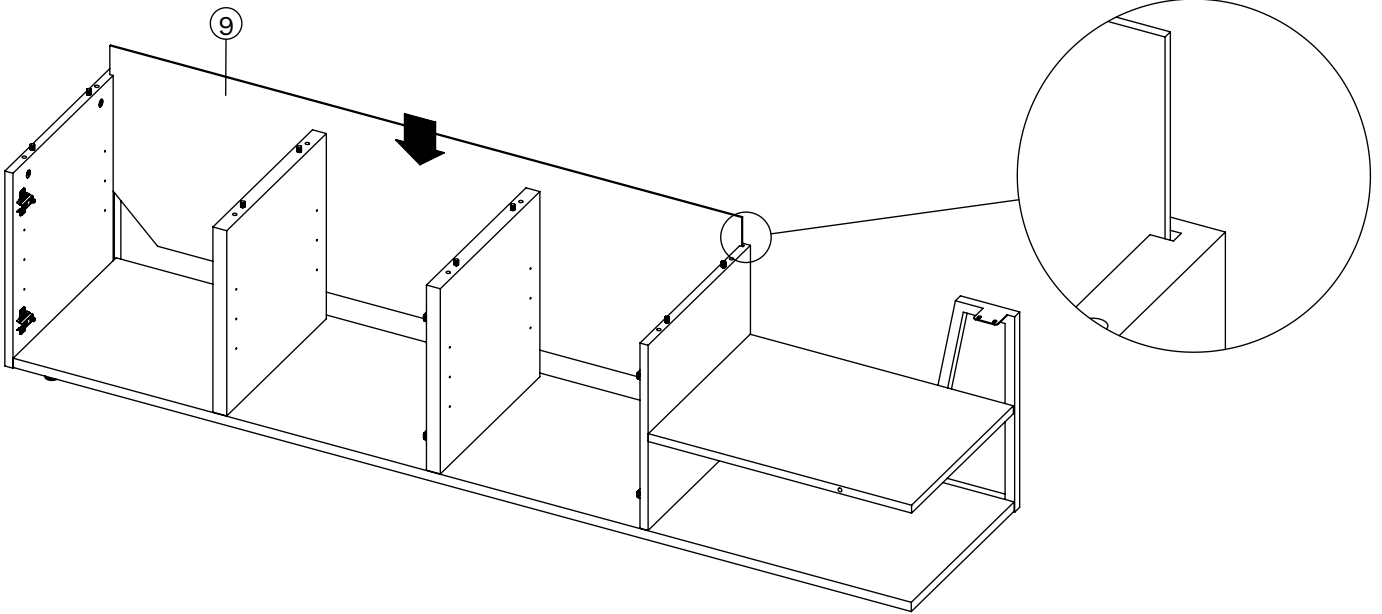
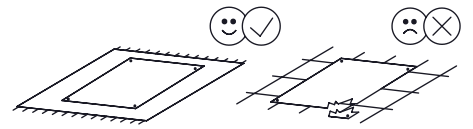


# 10

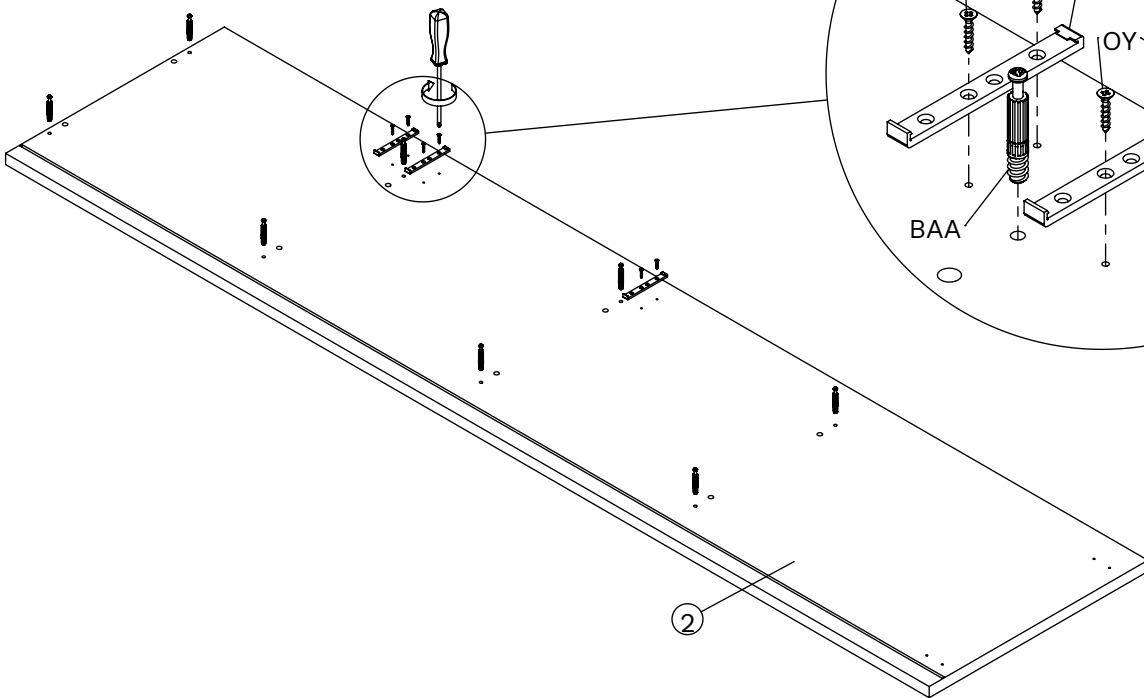
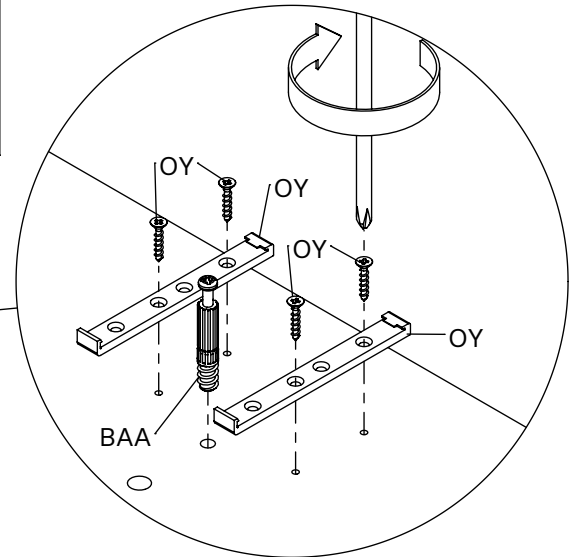
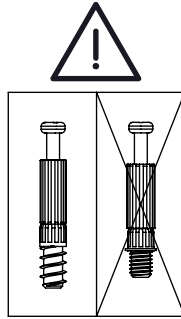
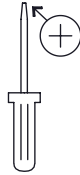
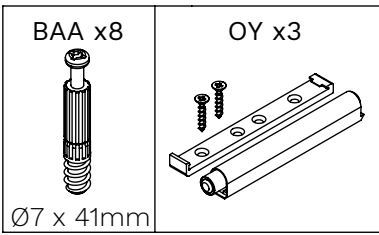


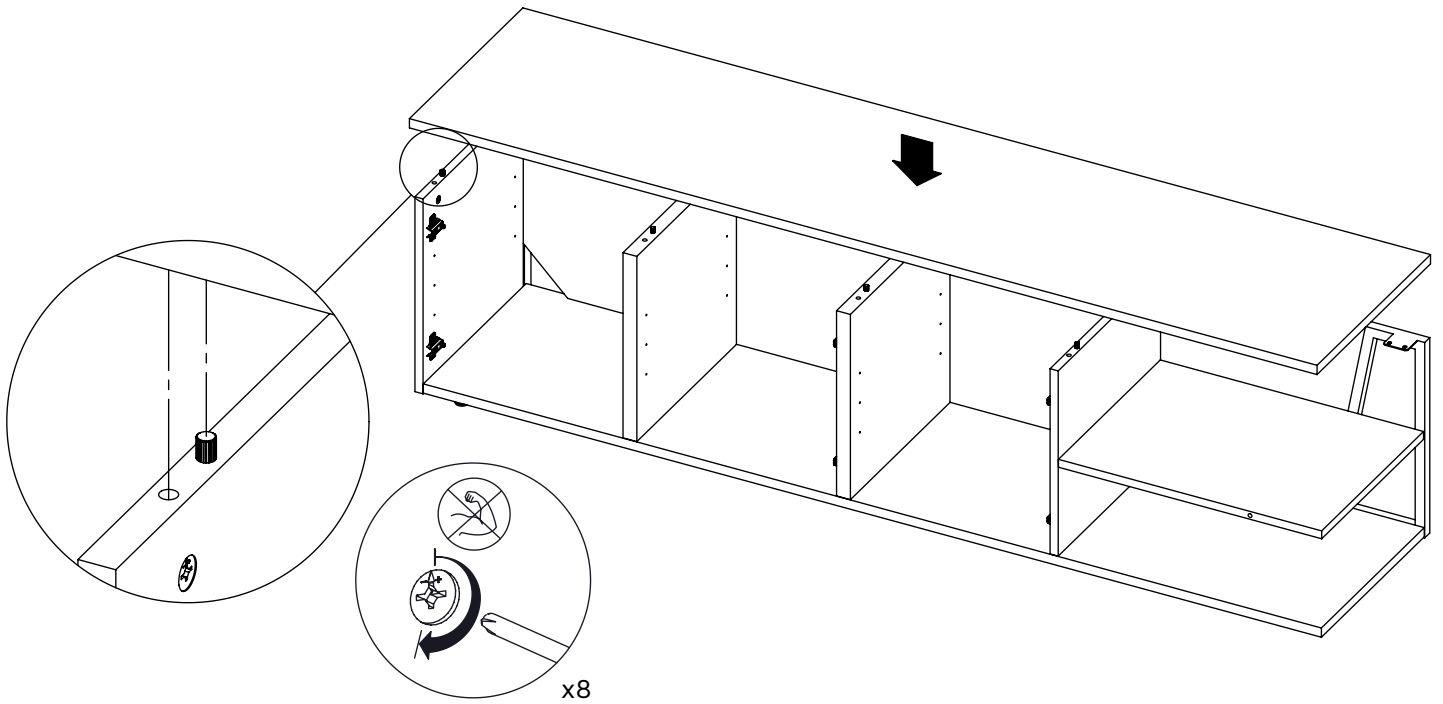
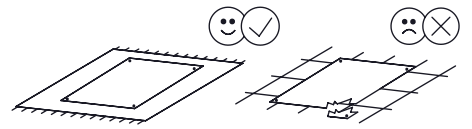
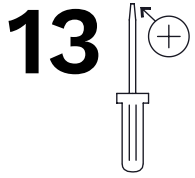


# 11

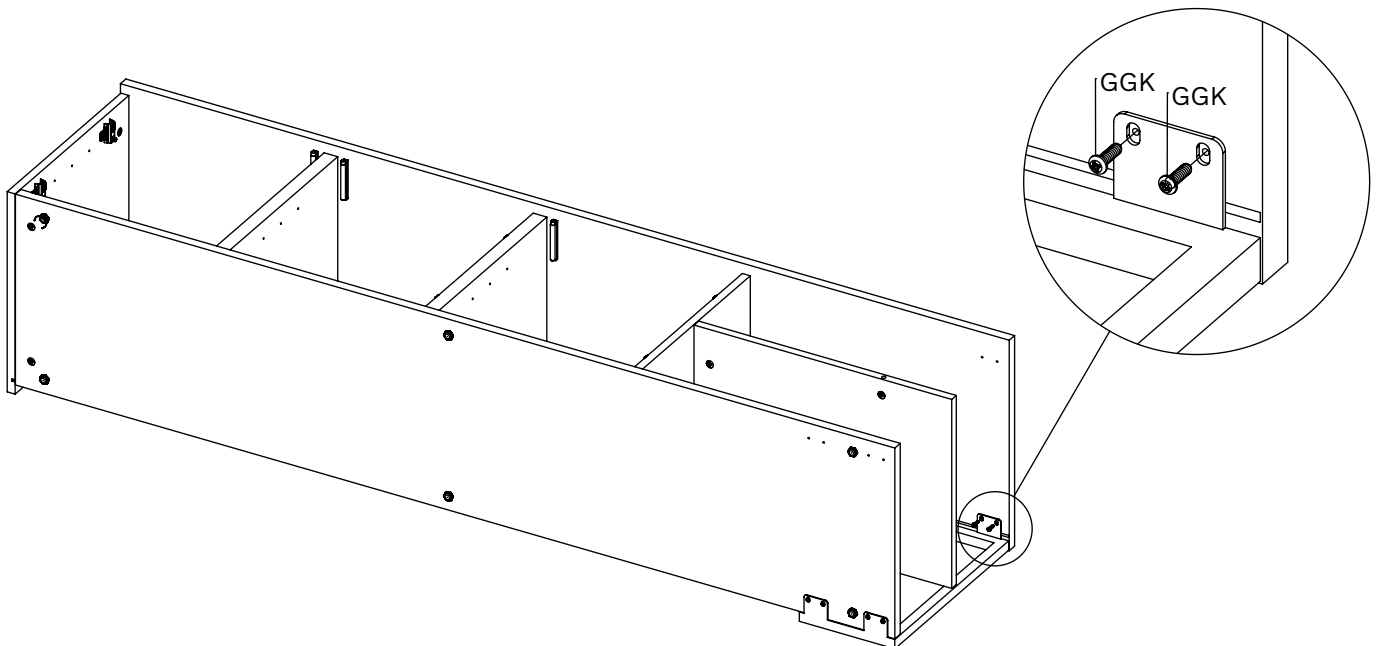


# 12

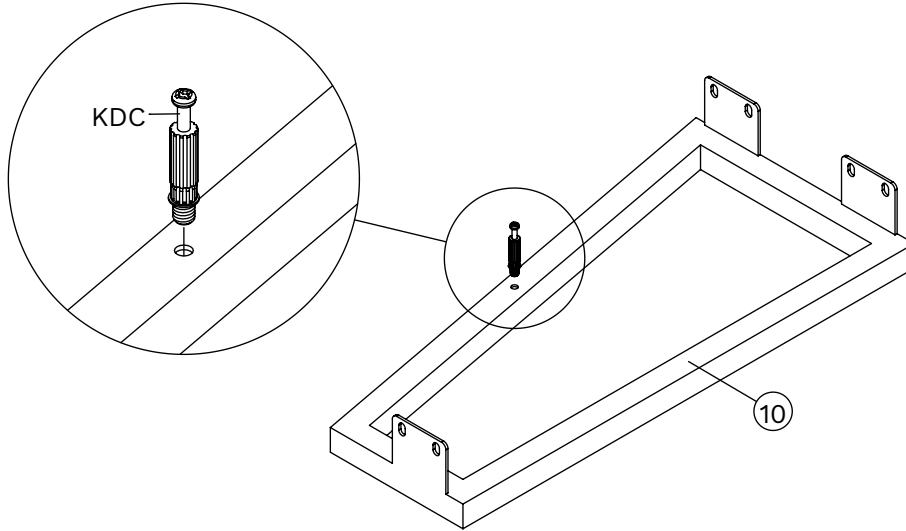
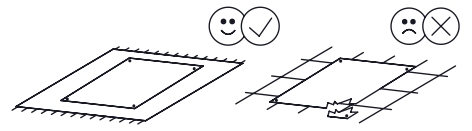
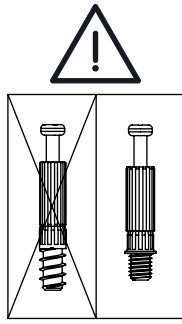
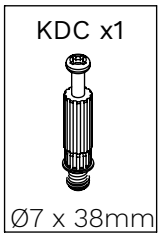




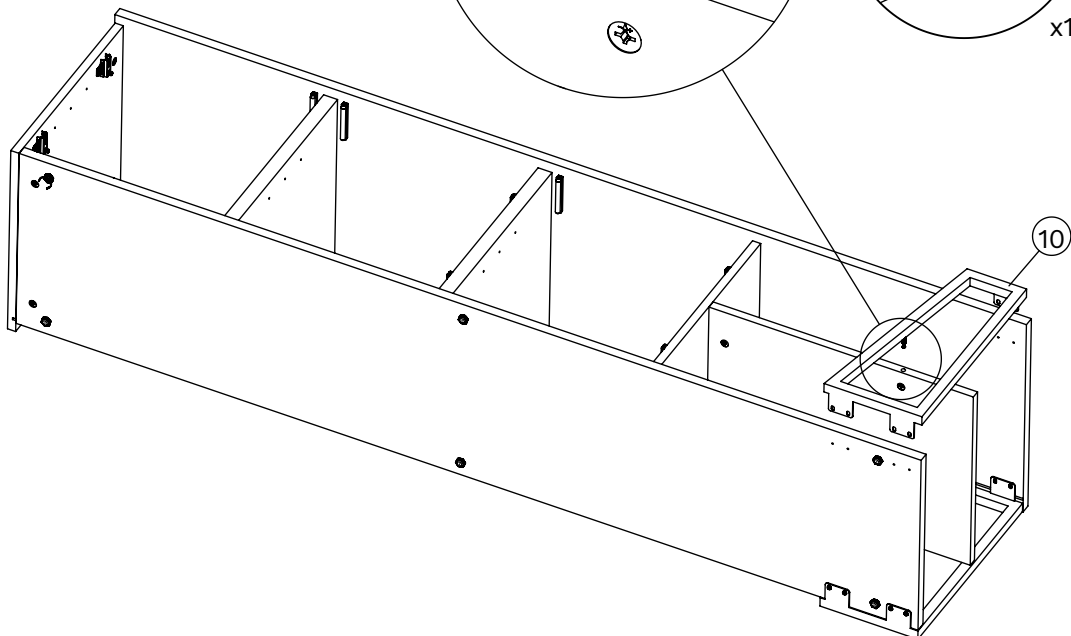
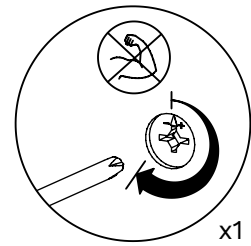
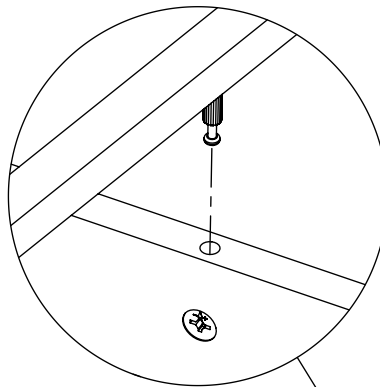
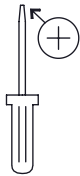
# 14



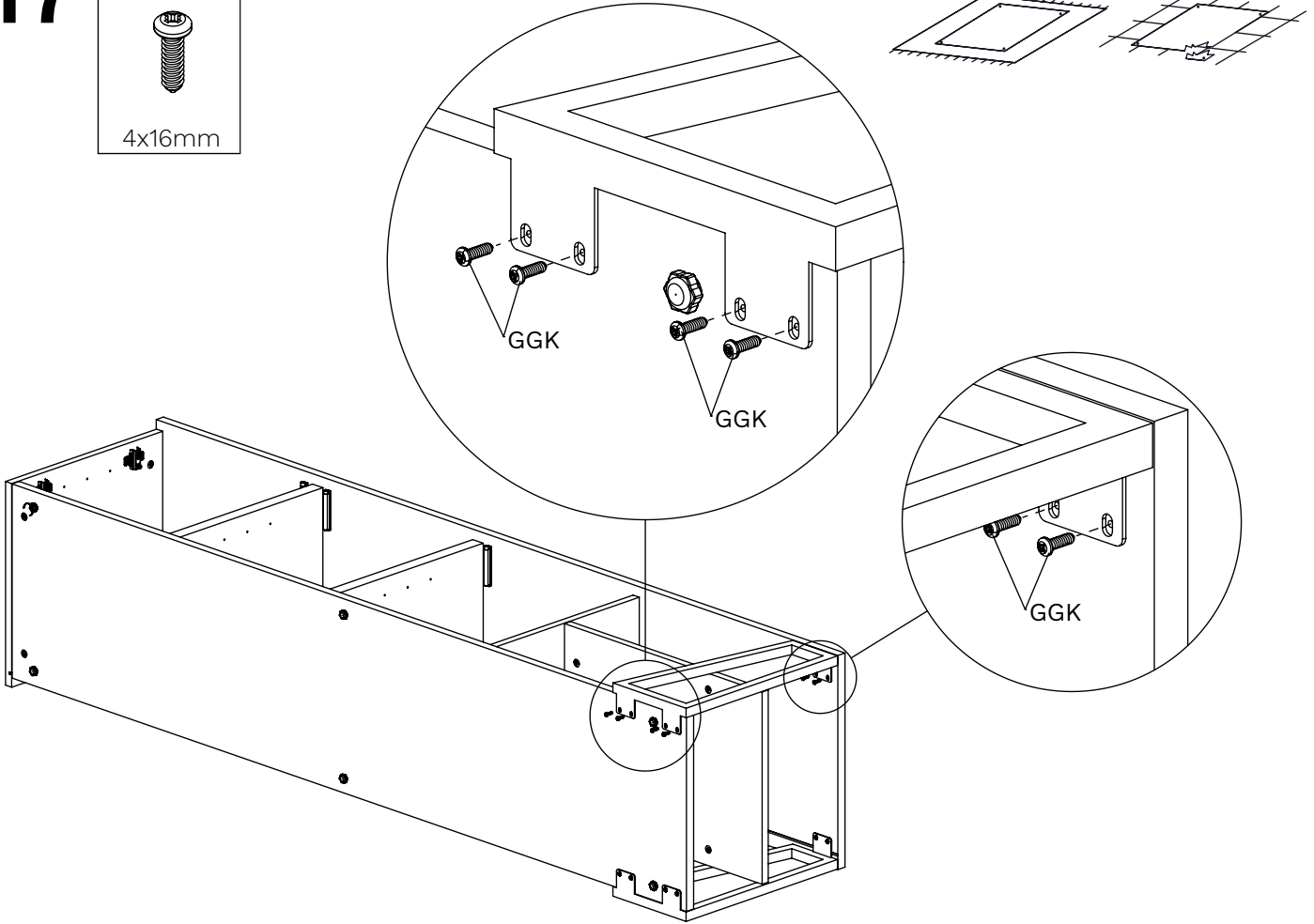
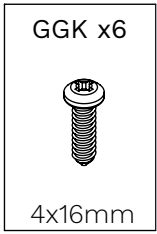
# 15



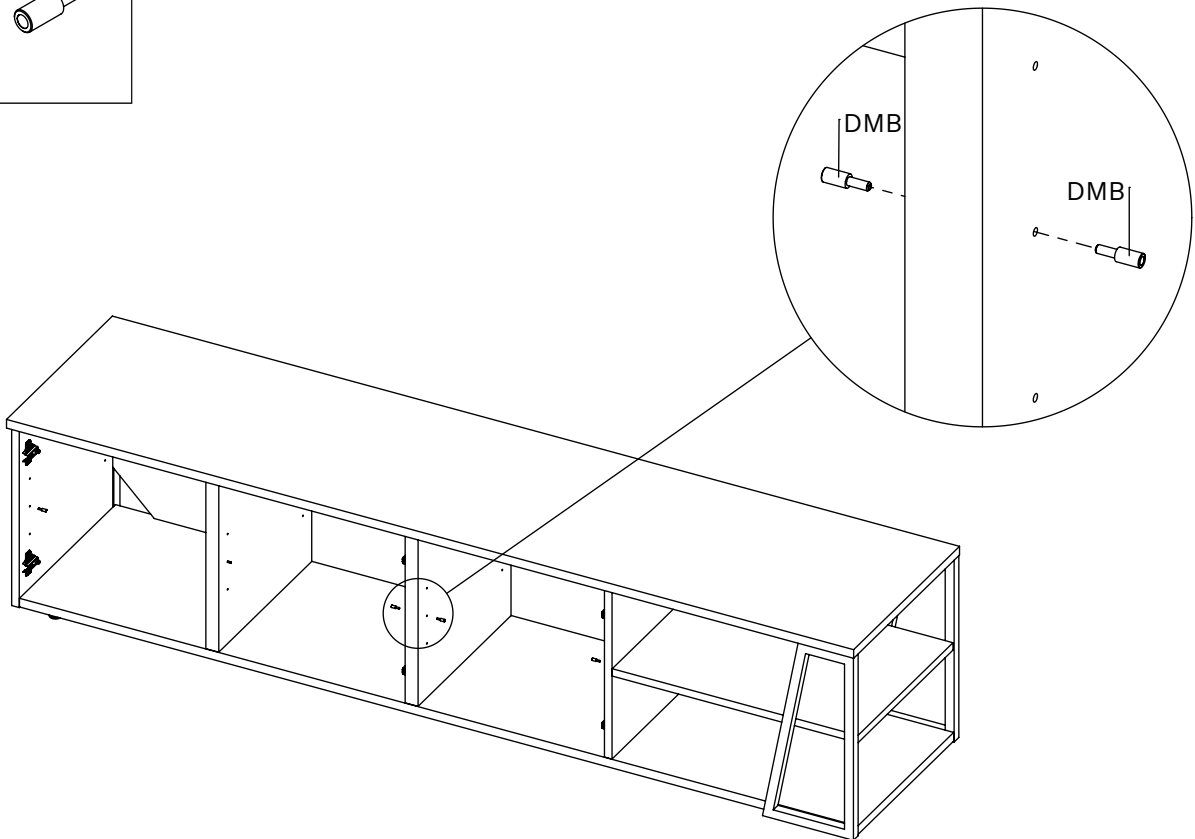
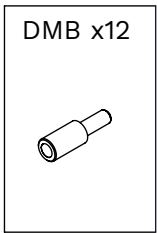
# 16



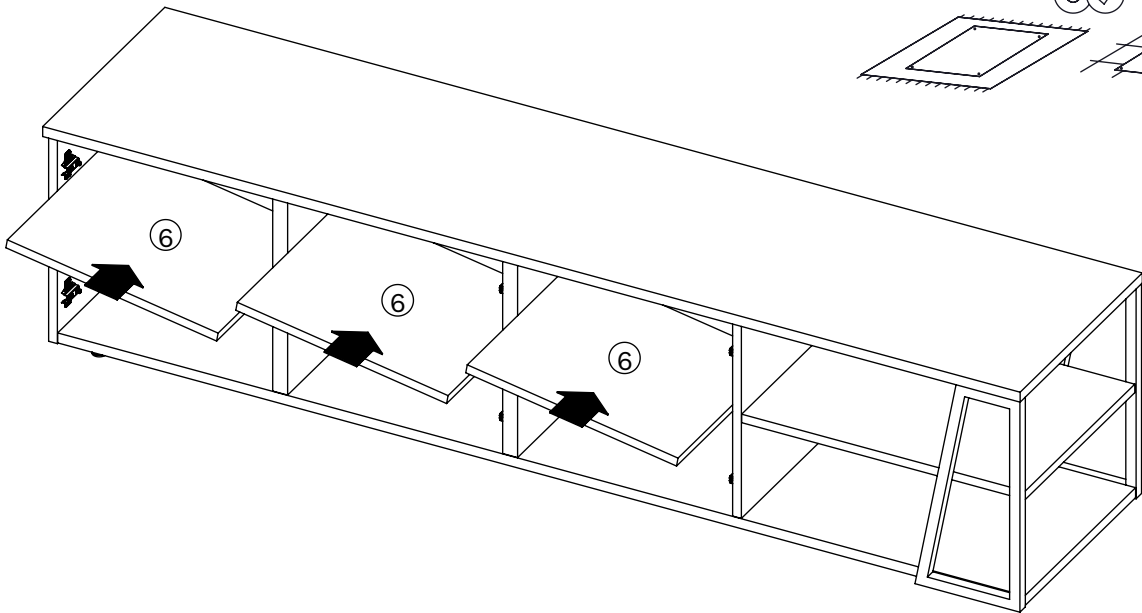
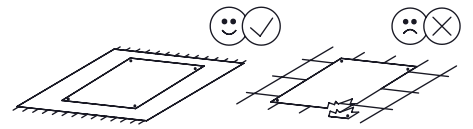
# 17



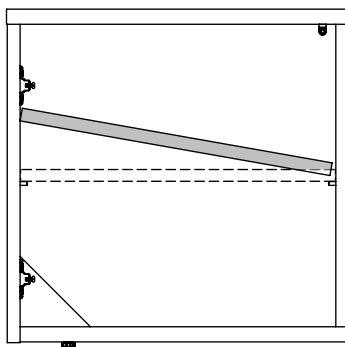
# 18



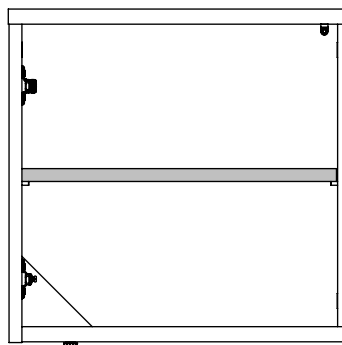
# 19



1º



2º



# 20

