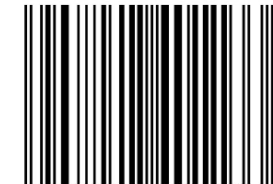


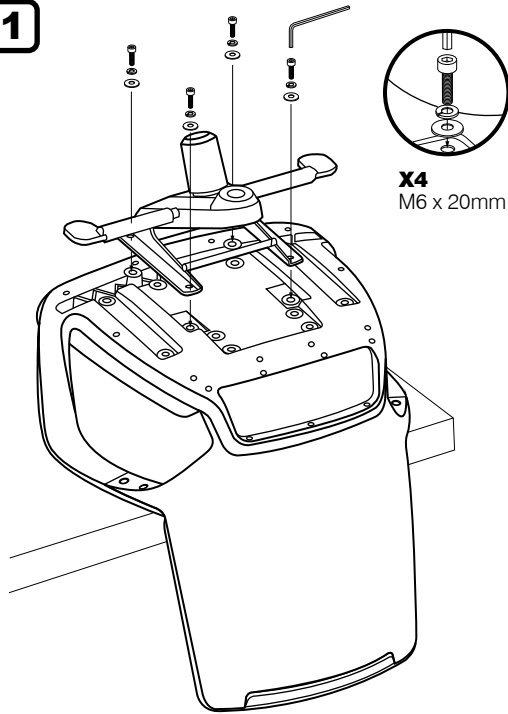
5 908242 400754 >



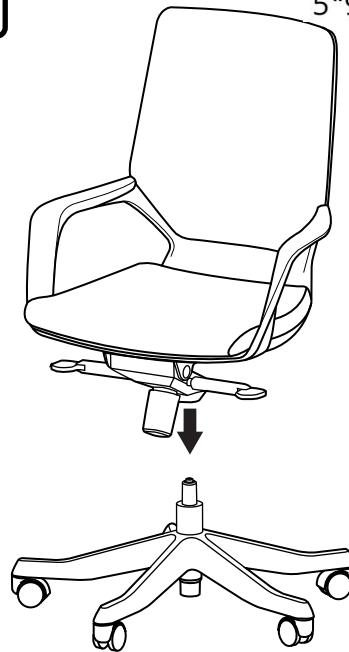
5 908242 401133 >



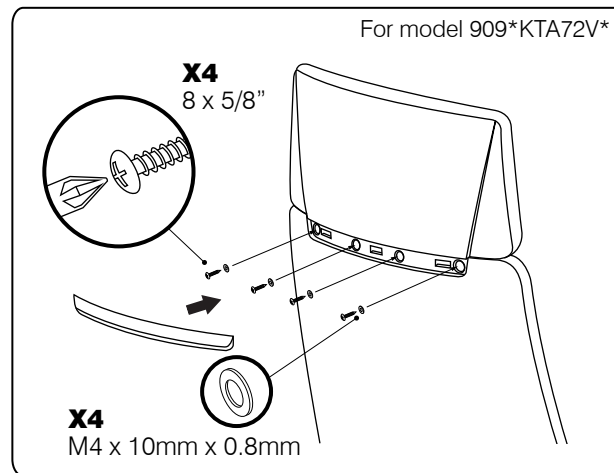
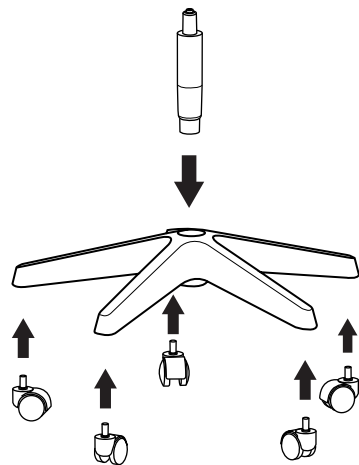
1



3



2



USER
INSTRUCTIONS

- A Seat Height Adjustable**
Flip up lever on right-side to raise or lower seat. Adjust such that your feet are adequately supported on floor.
- B Multi-Position Tilt Lock**
Recline to desired position, and flip down lever on left-side to lock. Flip up lever to release tilt-lock.
- C Tilt Tension Control**
Turn bottom knob clockwise to provide a stronger tilt tension, and vice-versa. Adjust such that minimum effort is required to push back when reclining.

