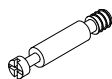


ASSEMBLY INSTRUCTION

7001-CP1709DK-1664



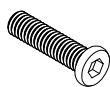
A x20
Spec:



B x10
Spec: $\varnothing 7 \times L30$



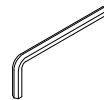
C x10
Spec: $\varnothing 15 \times H12$



E x10
Spec: $5/16 \times L30$



F x10
Spec: $M14 \times 8, 2 \times 1$



G x1
Spec: 5#

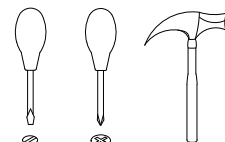
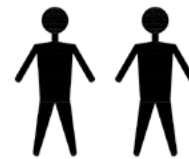


FIG.
1

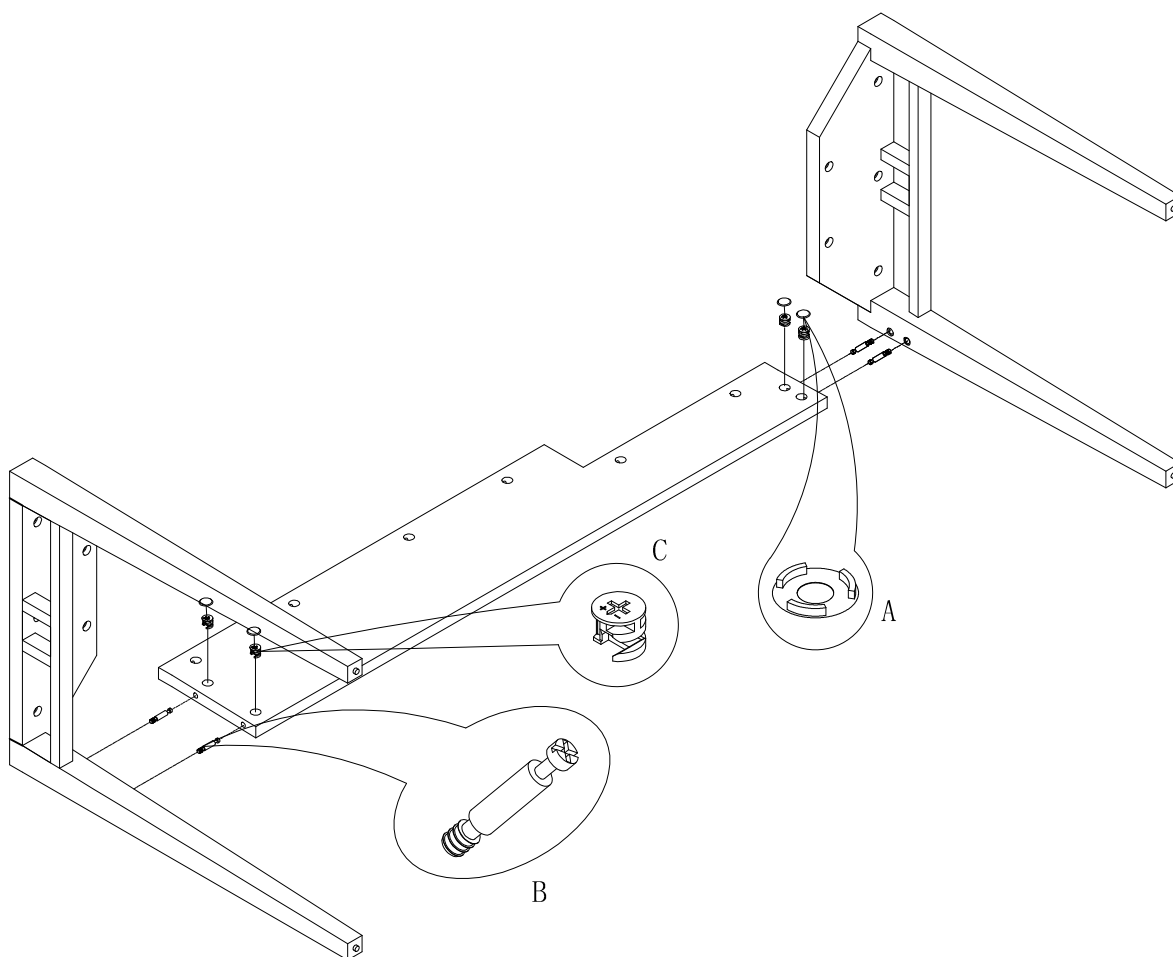


FIG.
2

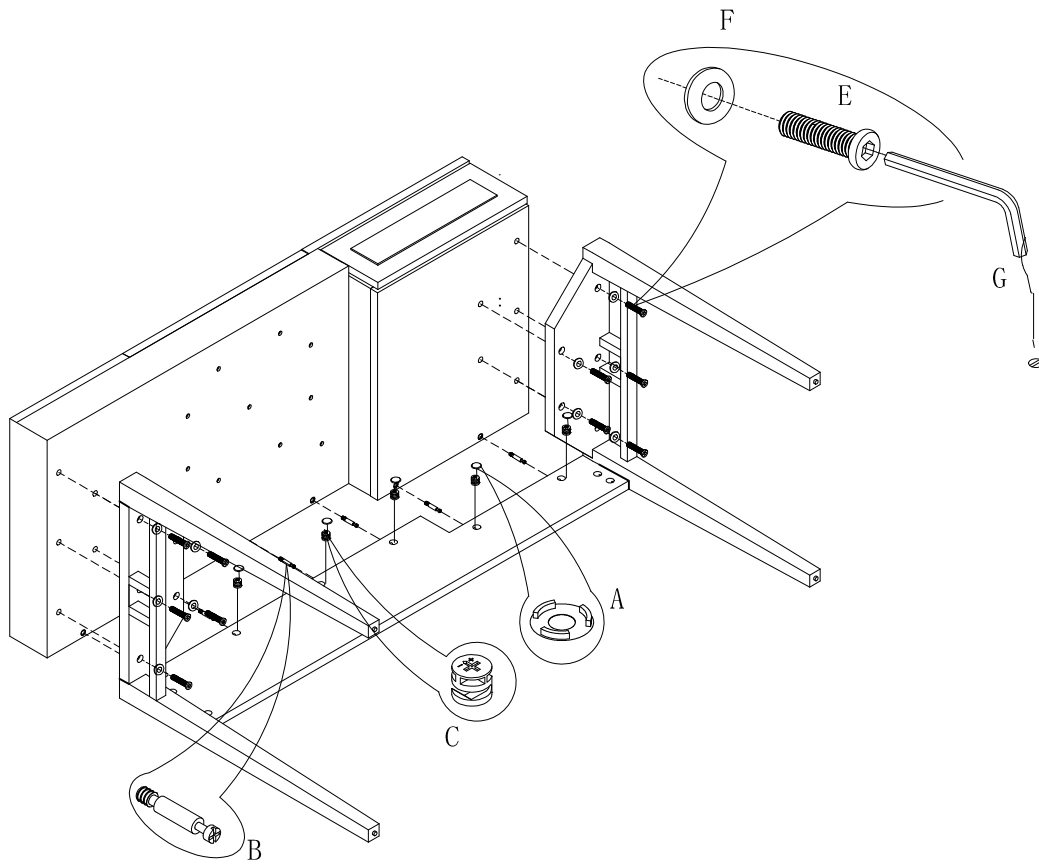


FIG.
3

