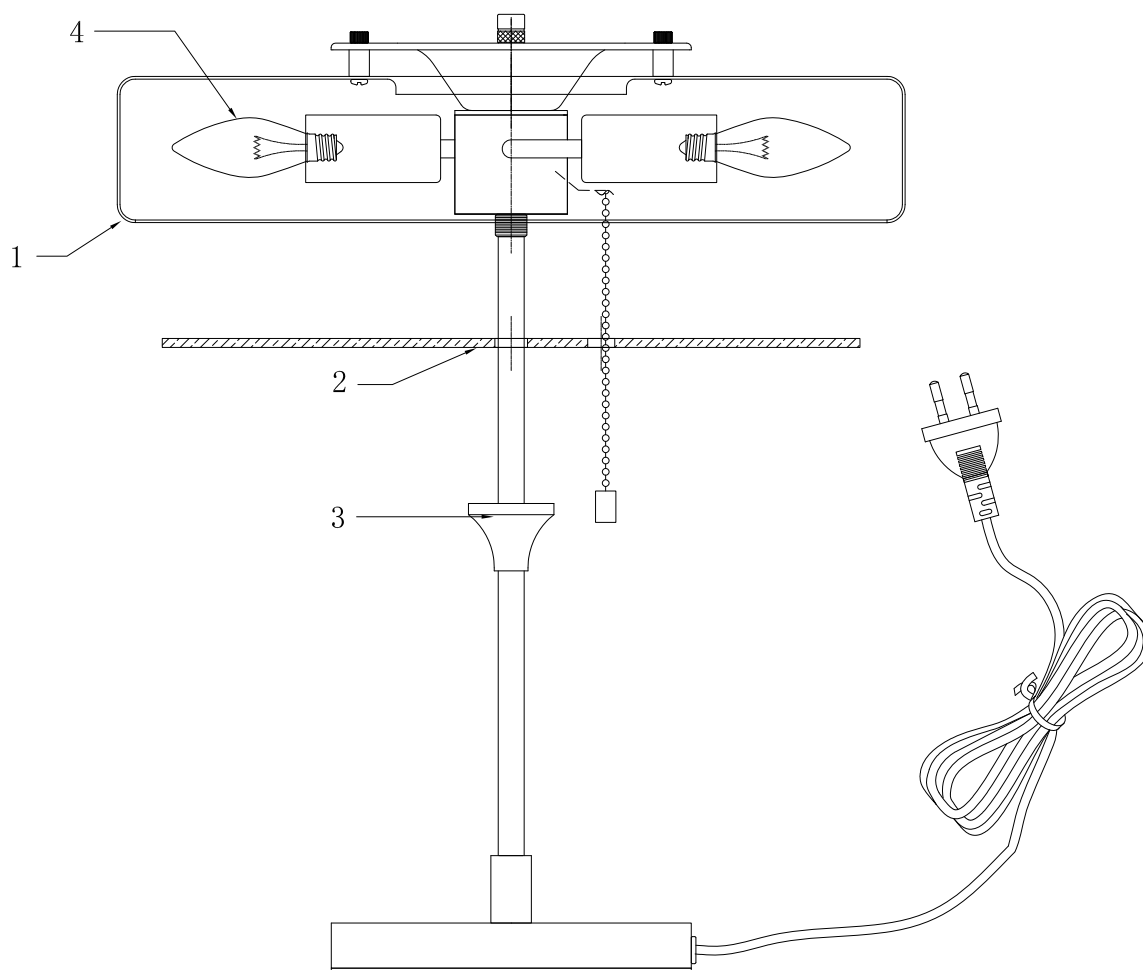




1PC

FIG.  
1



Assembly each part  
starting from the bulbs