

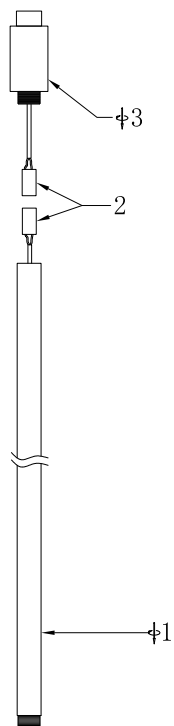


1PC



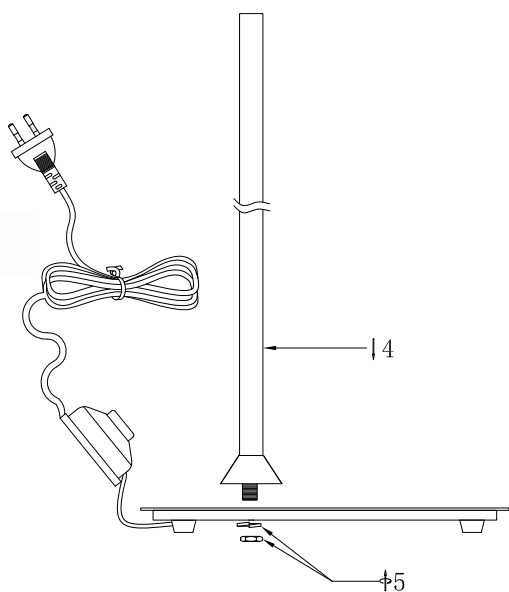
1PC

FIG.
1



Assembly elements in numerical order

FIG.
2



Screw body (n° 4) to
nut and washer (n° 5)

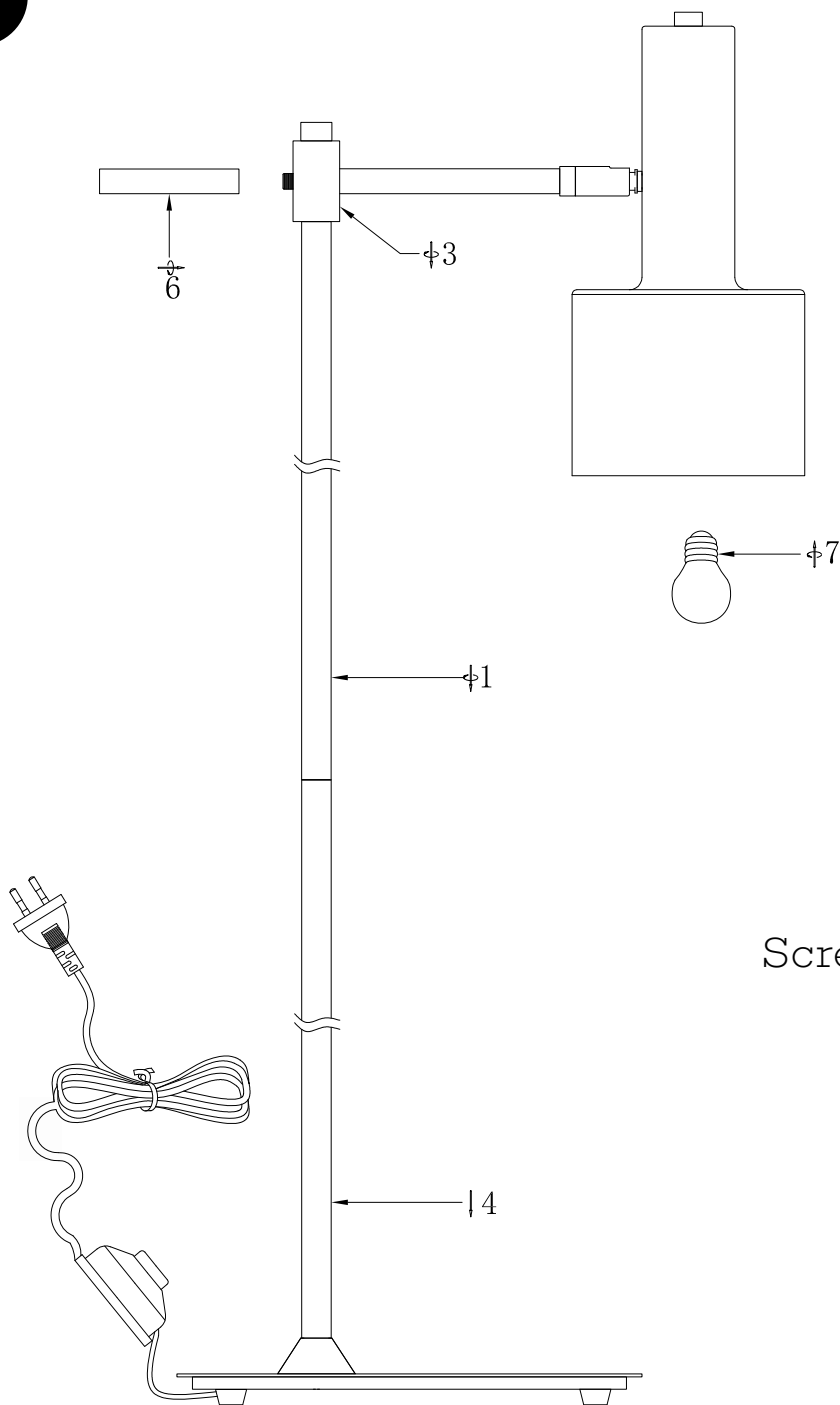


1PC



1PC

FIG.
3



Screw element n° 6 to n° 3.
Then, fix the bulb