



SETTING FITTINGS							
FITTINGS		SPEC.	AMOUNT	FITTINGS		SPEC.	AMOUNT
A		Ø10*50	8 PCS	B		4*50	8PCS

FIG.
1

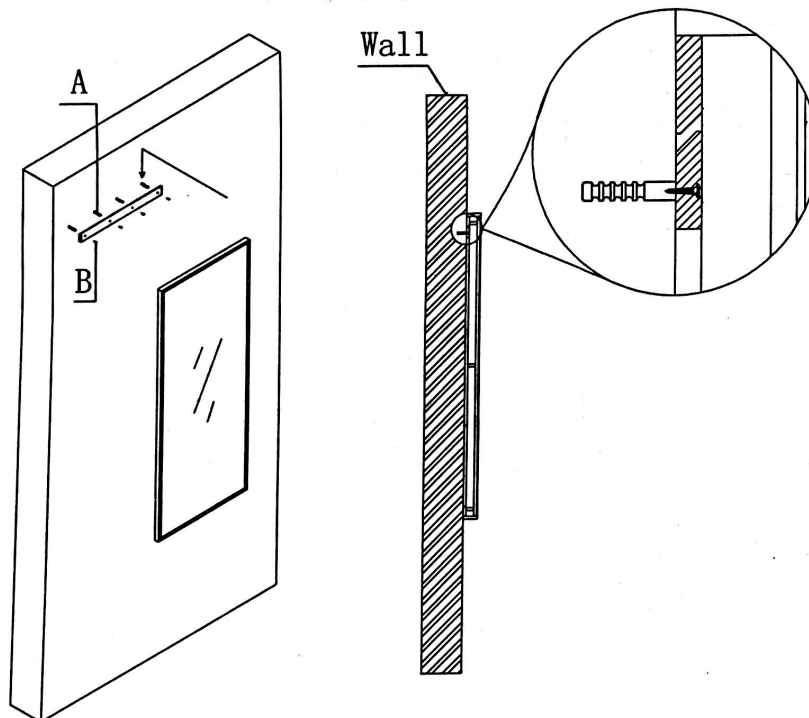


FIG.
2

