





SETTING FITTINGS					
FITTINGS	SPEC.	AMOUNT	FITTINGS	SPEC.	AMOUNT
A		4 pcs	D		3 pcs
B		8 pcs	E		1 pcs

**FIG.**  
**1**

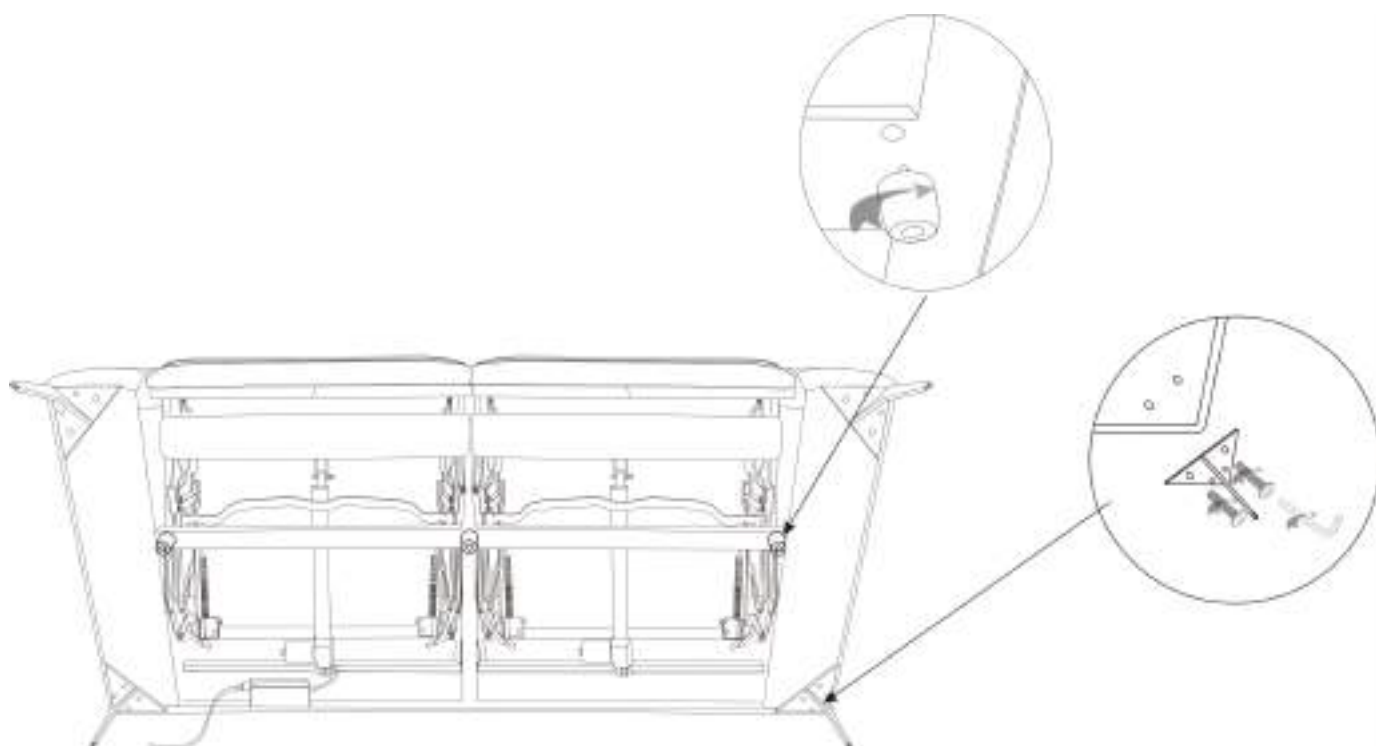


FIG.  
2

