

ASSEMBLY INSTRUCTION

7035-CP1709-H-1766



- A x4
Spec: Ø8*30
- B x8
Spec: Ø7*4.48
- C x8
Spec: Ø15*H15
- D x12
Spec:
- E x4
Spec: Ø8*Ø14
- F x4
Spec: M6*30
- G x1
Spec: 10g

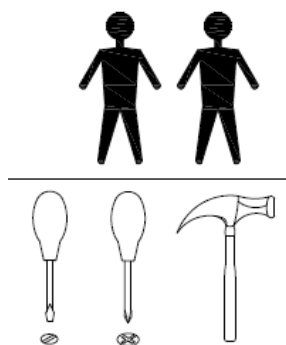


FIG. 1

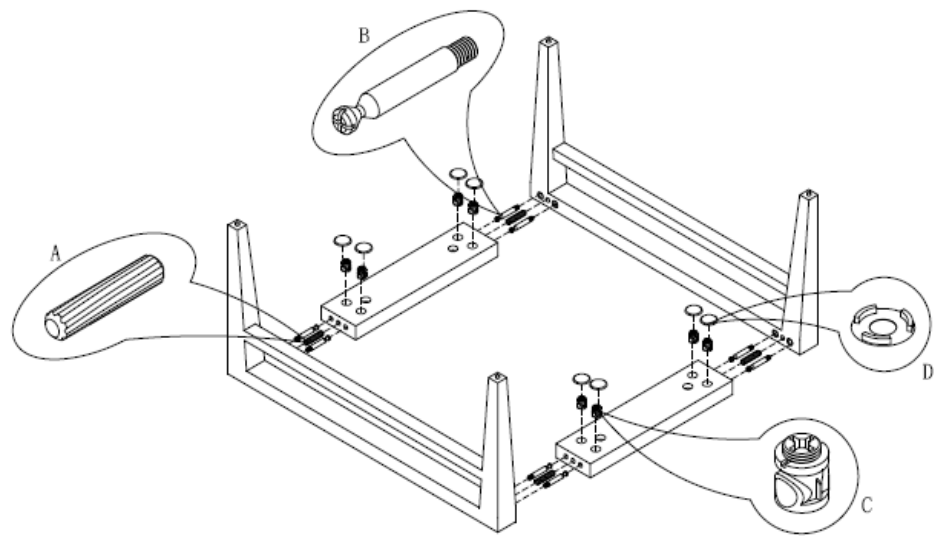


FIG. 2

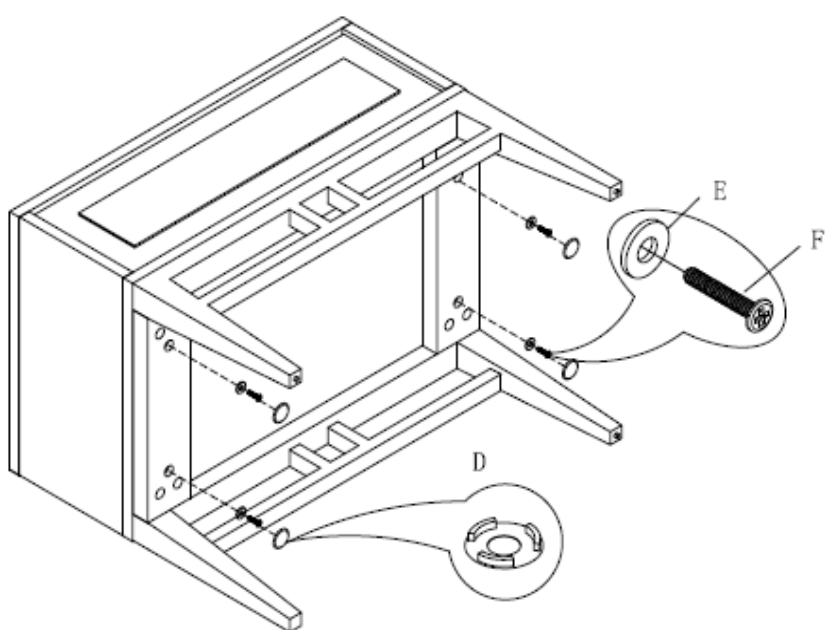


FIG.
3

