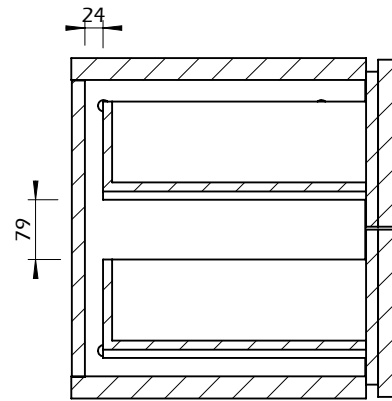
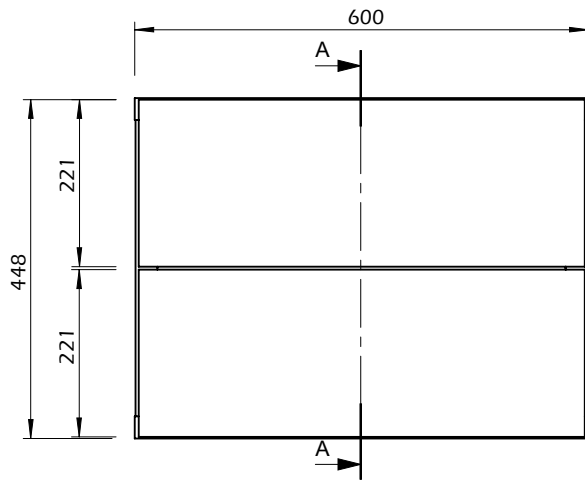
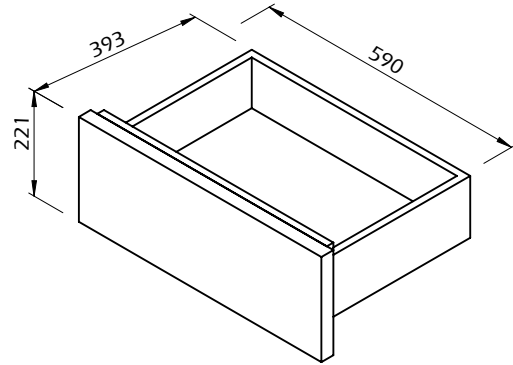
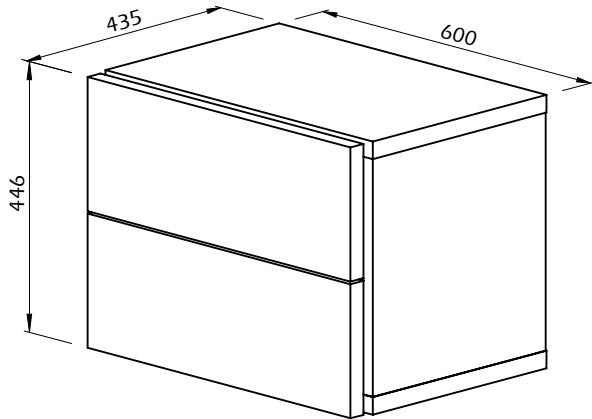


# Technical Information

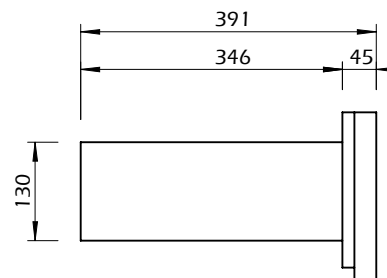
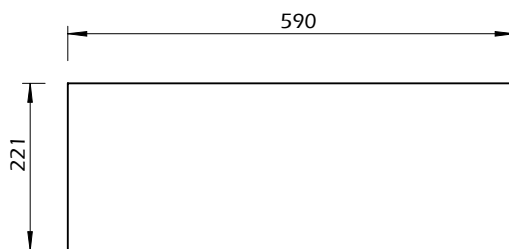
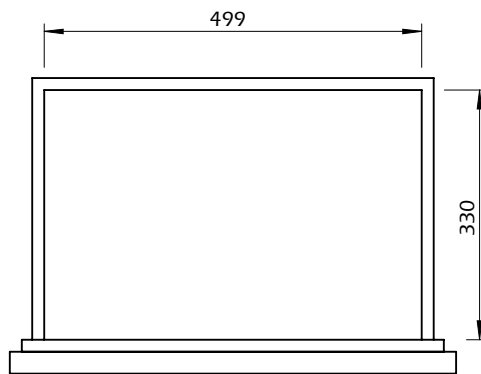
## AURORA



TEMAHOME



SECTION A-A



25min



00kg