

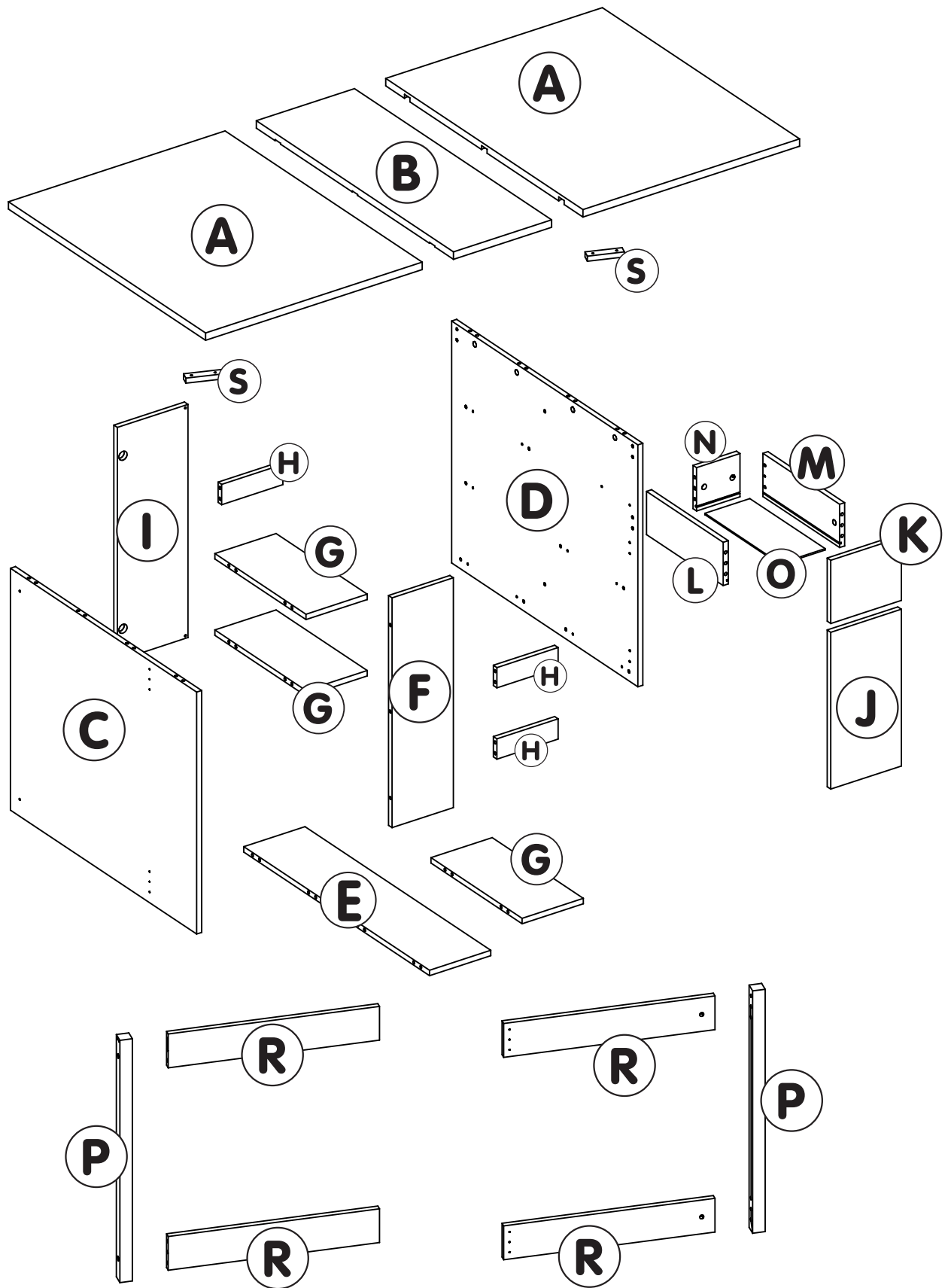
- (D) Montageanleitung
- (FR) Notice de montage
- (NL) Handleiding voor de montage
- (CZ) Montážní návod
- (HU) Szerelési útmutató
- (TR) Montaj talimatı
- (GB) Assembly instructions
- (IT) Istruzioni di montaggio
- (PL) Instrukcja montażu
- (SK) Návod na montáž
- (RO) Instrucțiuni de montaj
- (RU) Инструкция по монтажу
- (ET) Montaažjuhend

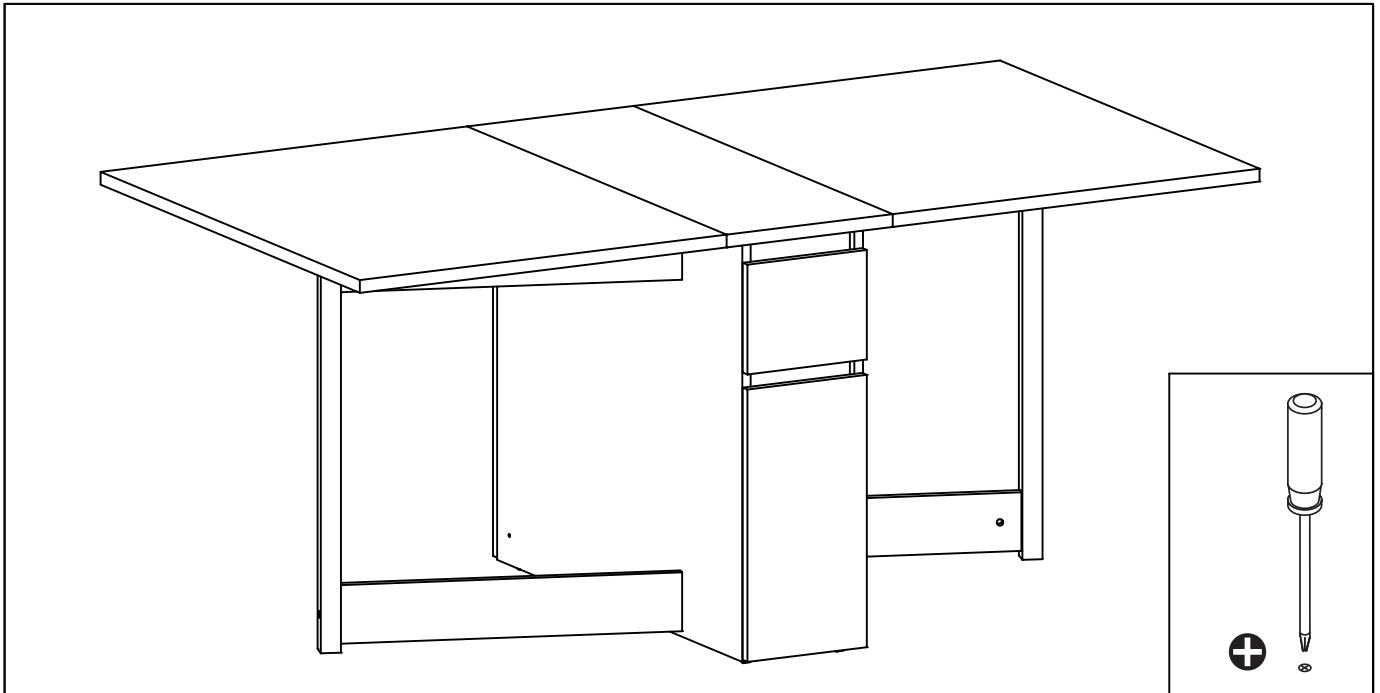
Reference no/Batch code :

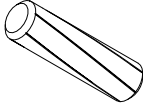
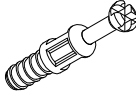

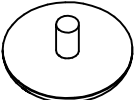

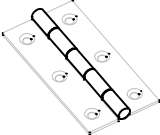


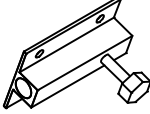

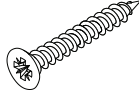

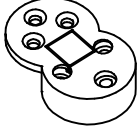
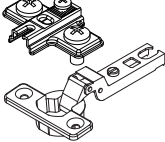


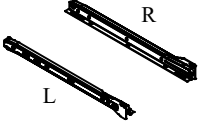
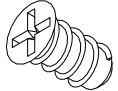
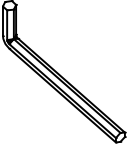
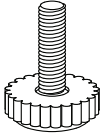
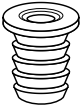
Woodman OÜ

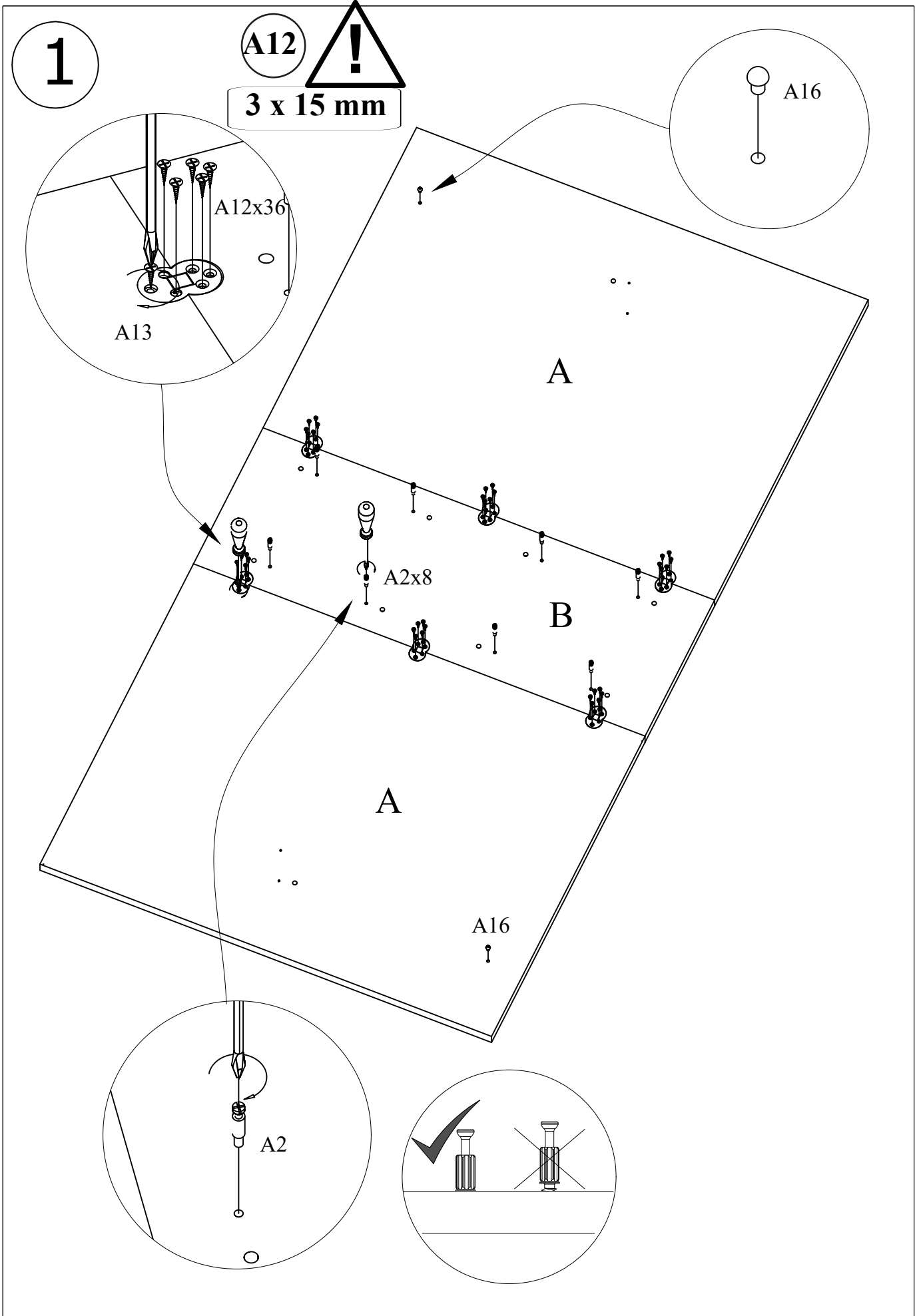
Made in Estonia
Mäo, Järvamaa
www.woodman.ee
support@woodman.ee



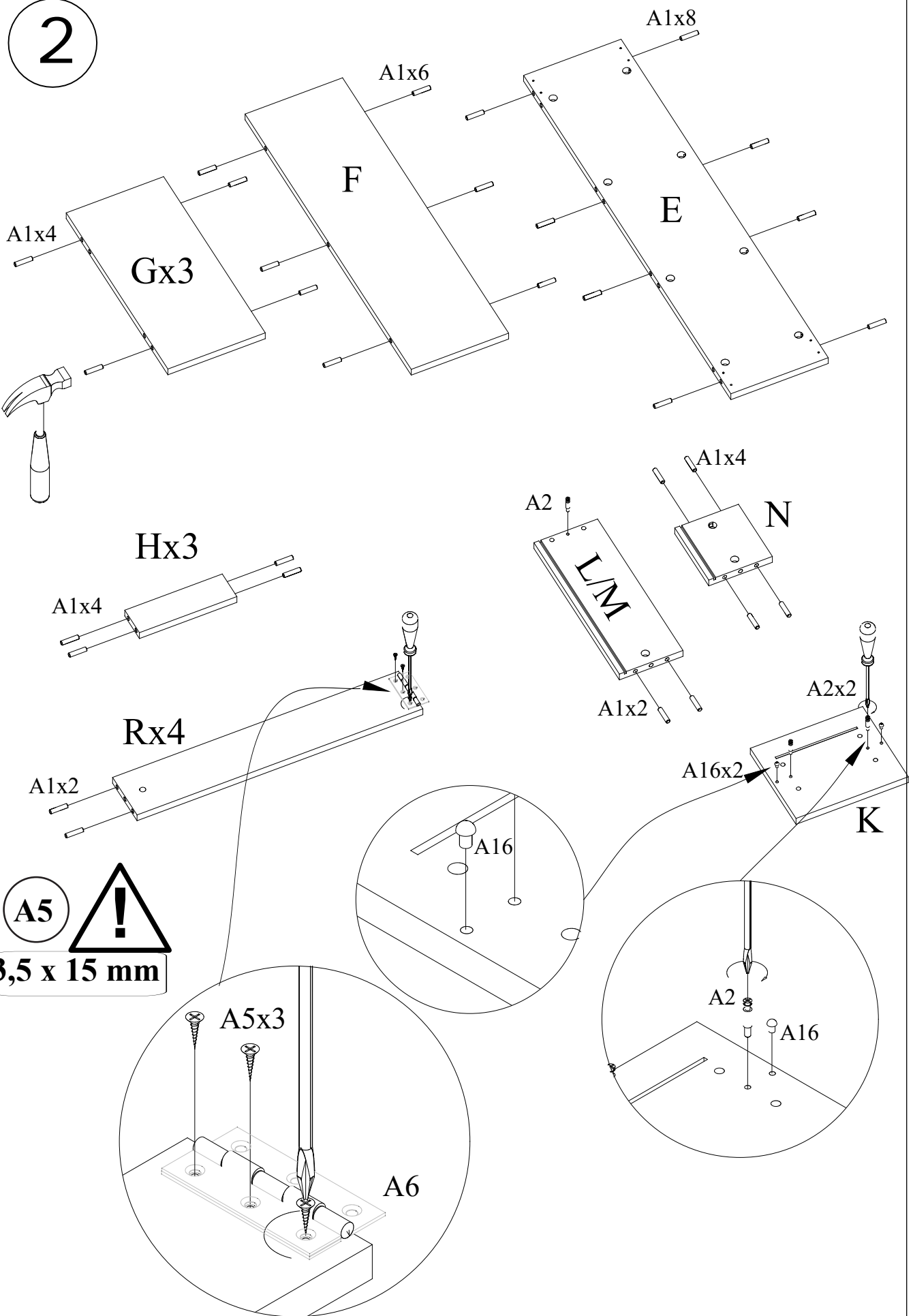




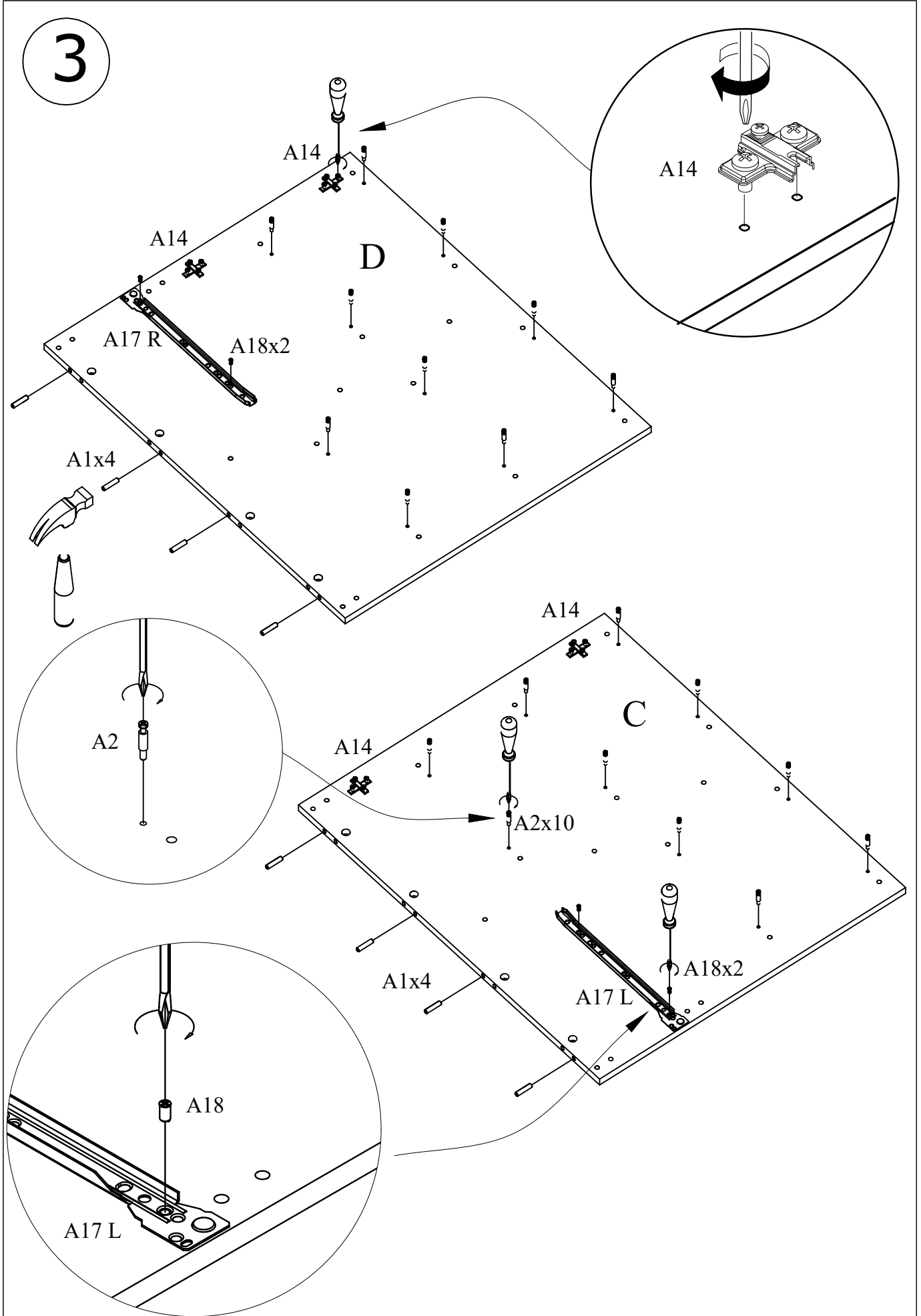
	A1	A2	A3	A4	A5	A6
						
	Ø8x35	Ø7x24	Ø15x12	Ø16	Ø3,5x15	80x41
QTY	x62	x32	x32	x4	x40	x4
	A7	A8	A9	A10	A11	A12
						
	M6x76			Ø2,5x13	Ø3,5x35	Ø3x15
QTY	x4	x4	x2	x8	x4	x42
	A13	A14	A15	A16	A17	A18
						
				Ø5		Ø6,3x9
QTY	x6	x4	x4	x12	x1	x4
	A19	A20	A21			
						
	4mm					
QTY	x1	x2	x2			

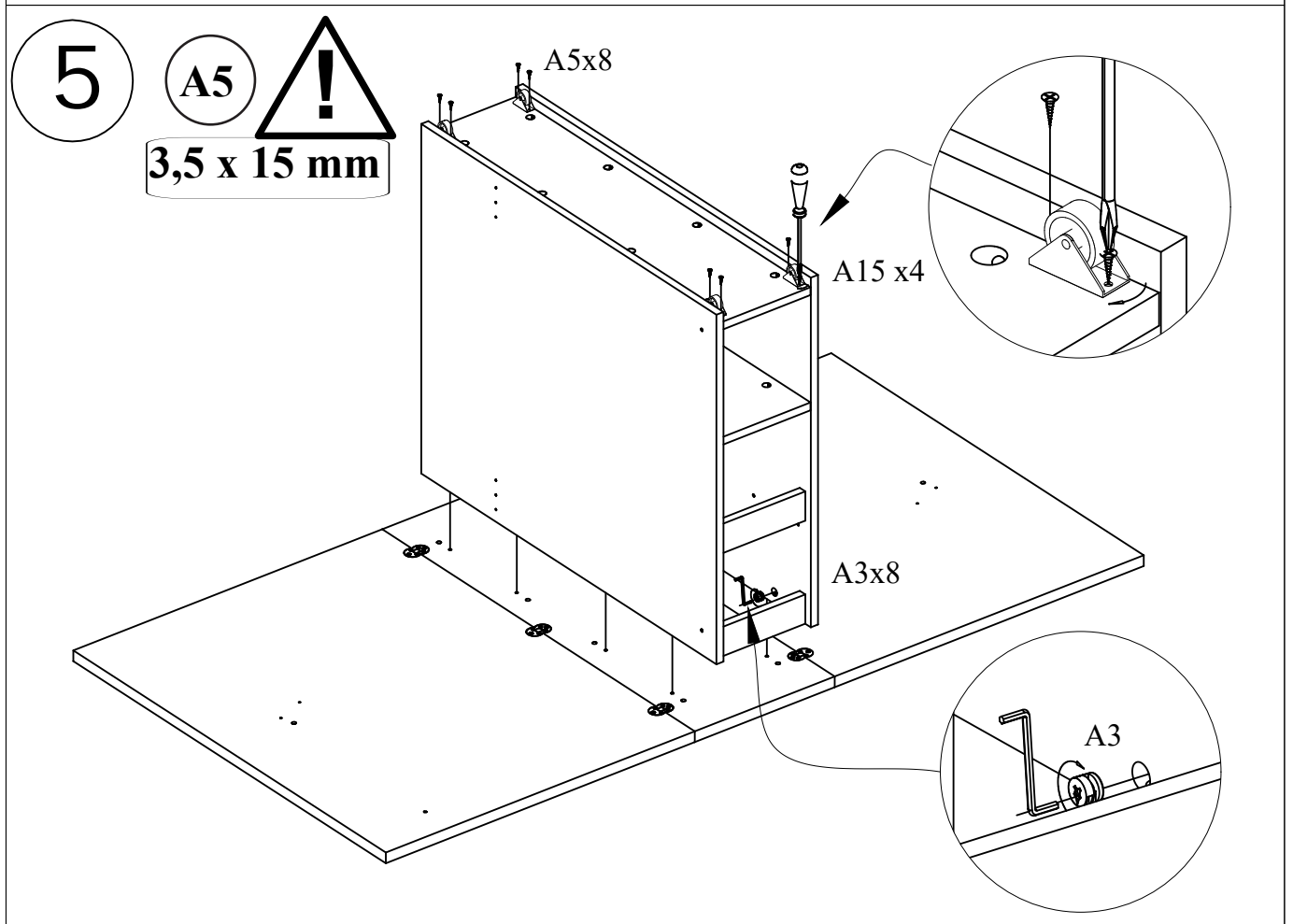
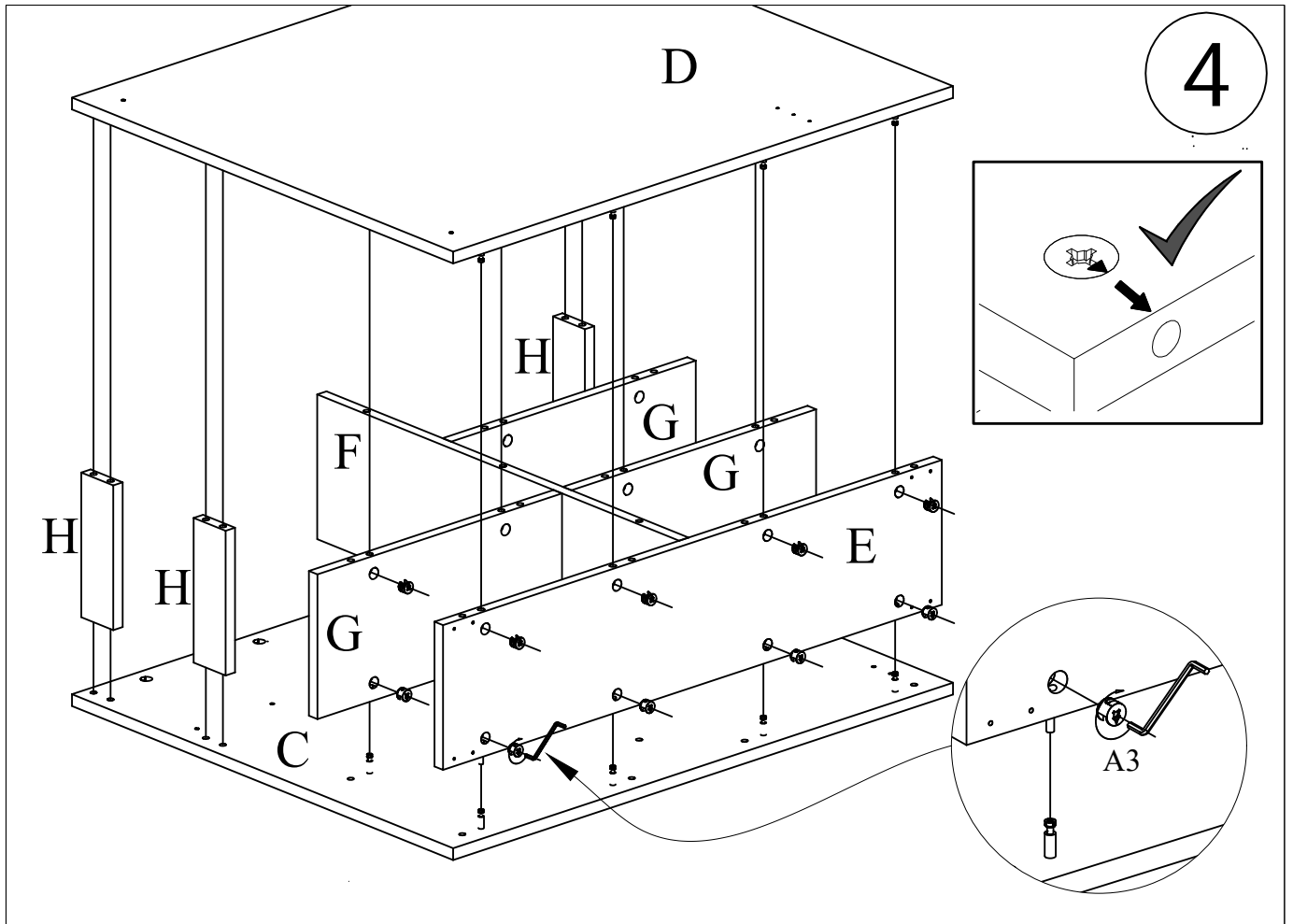


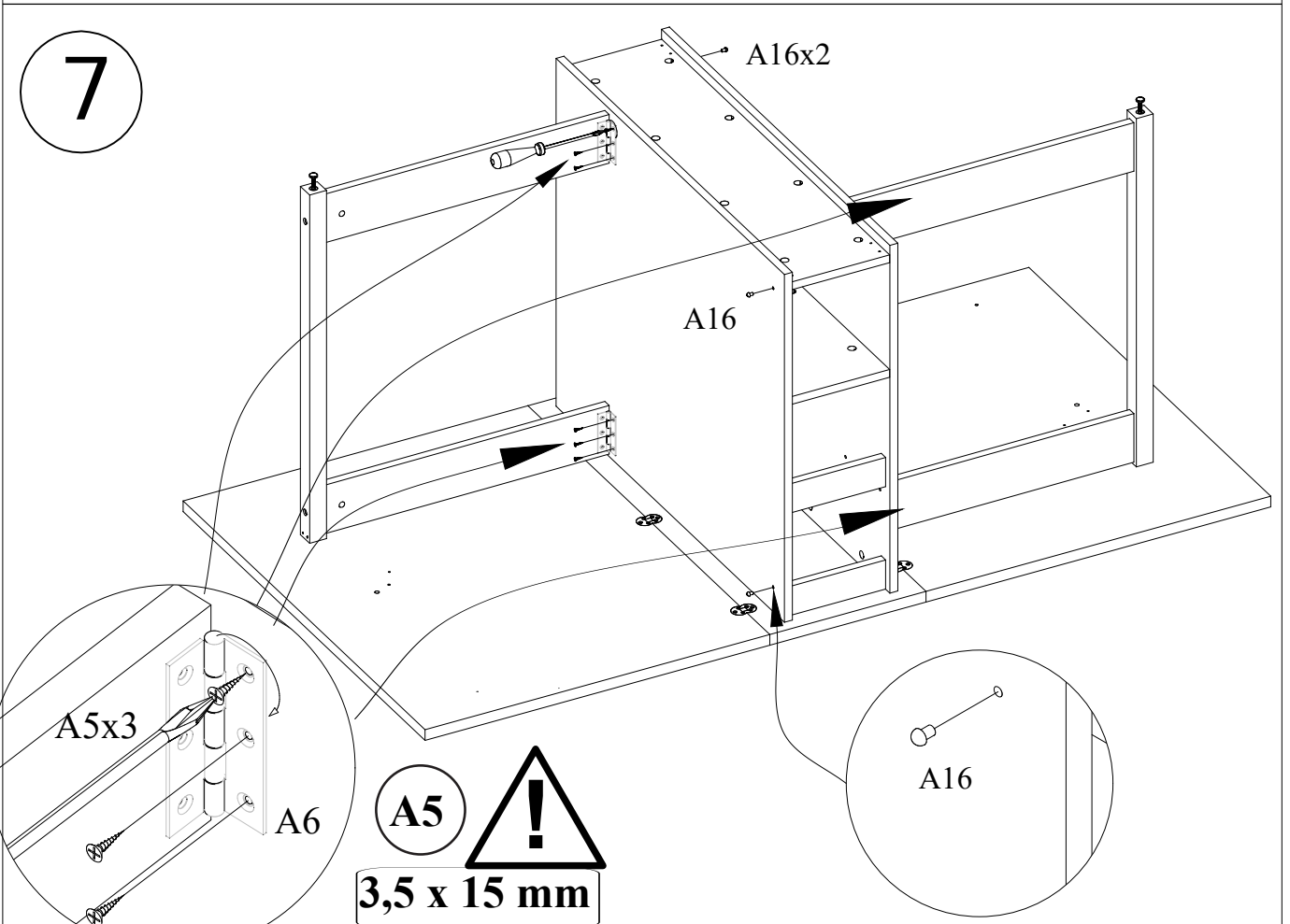
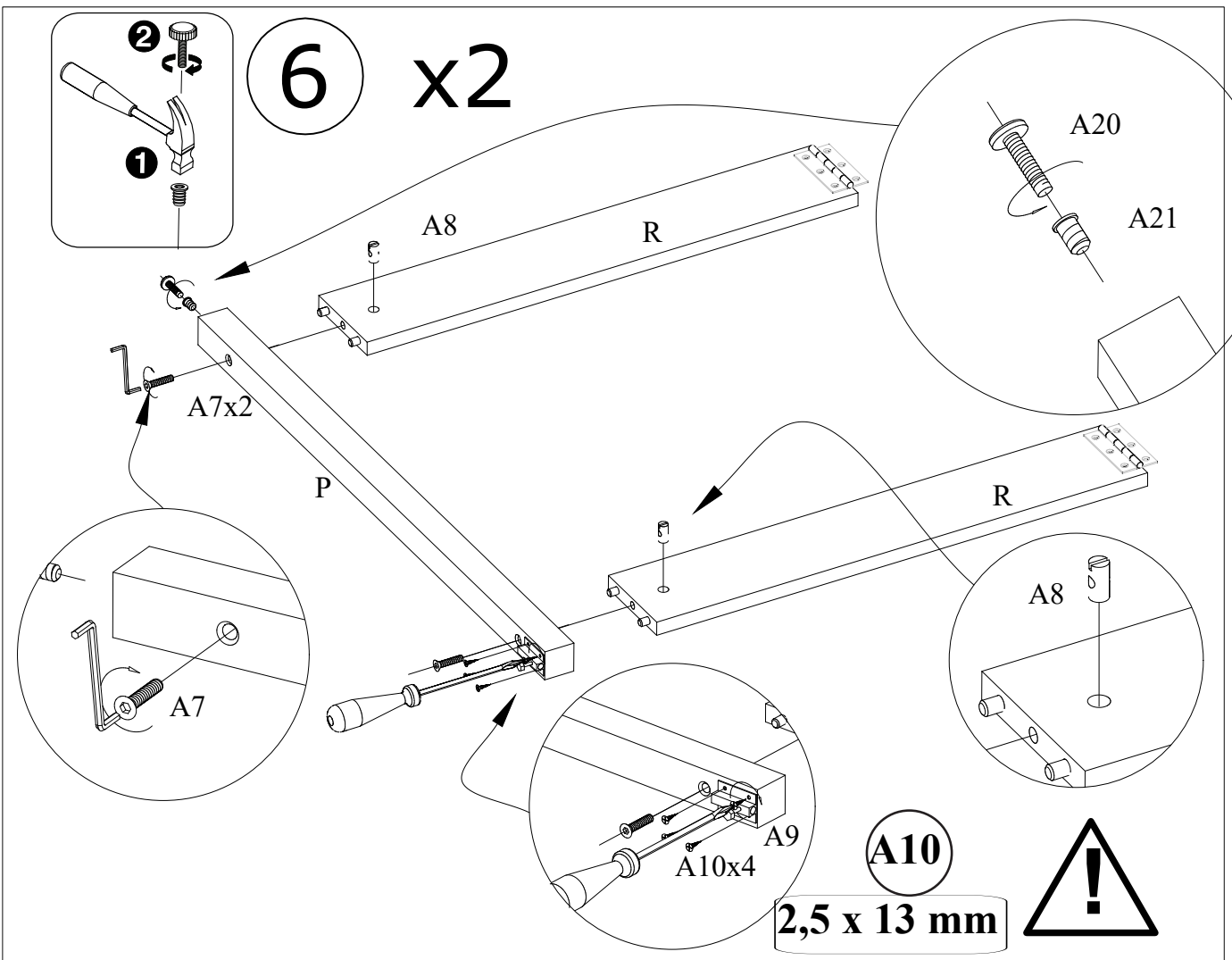
2



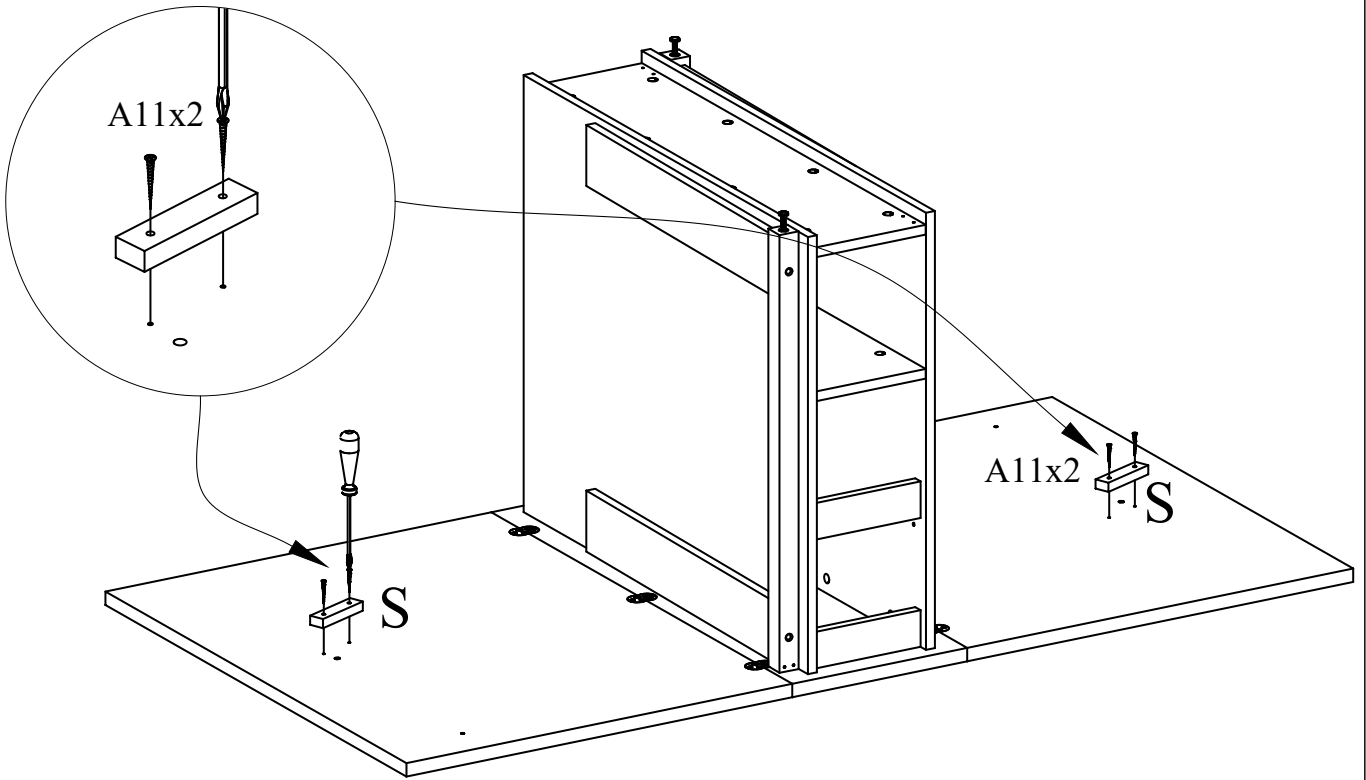
3



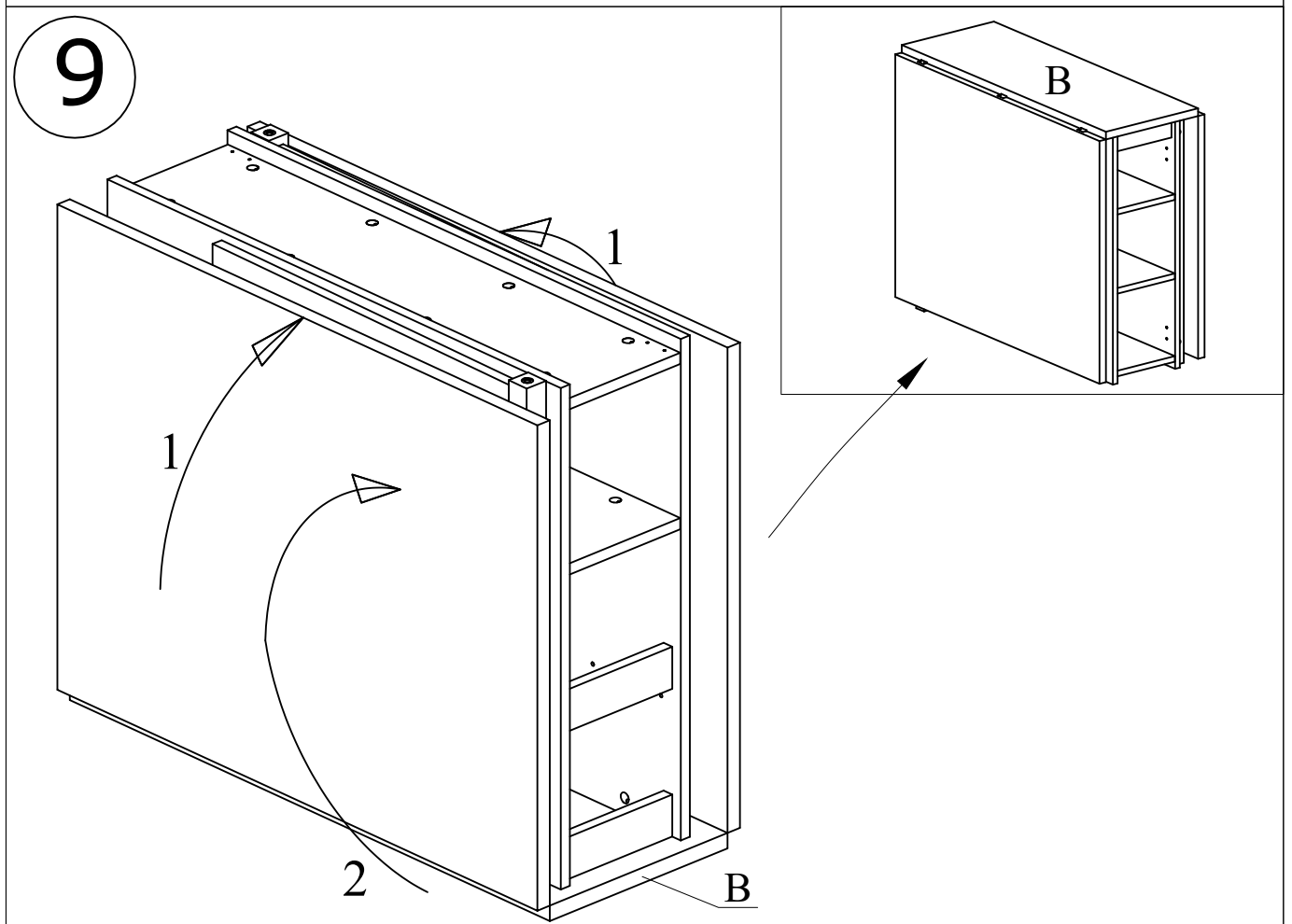




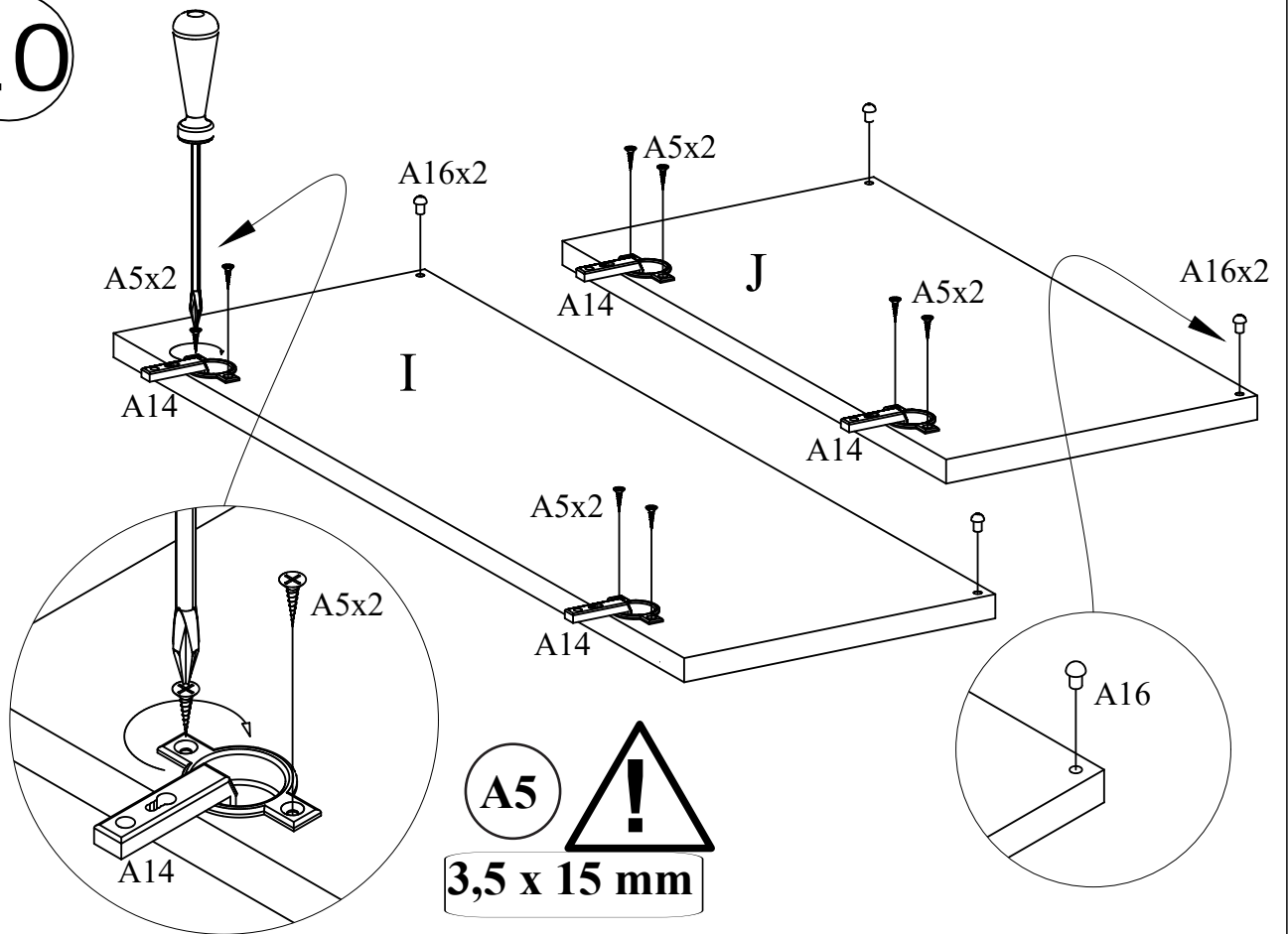
8



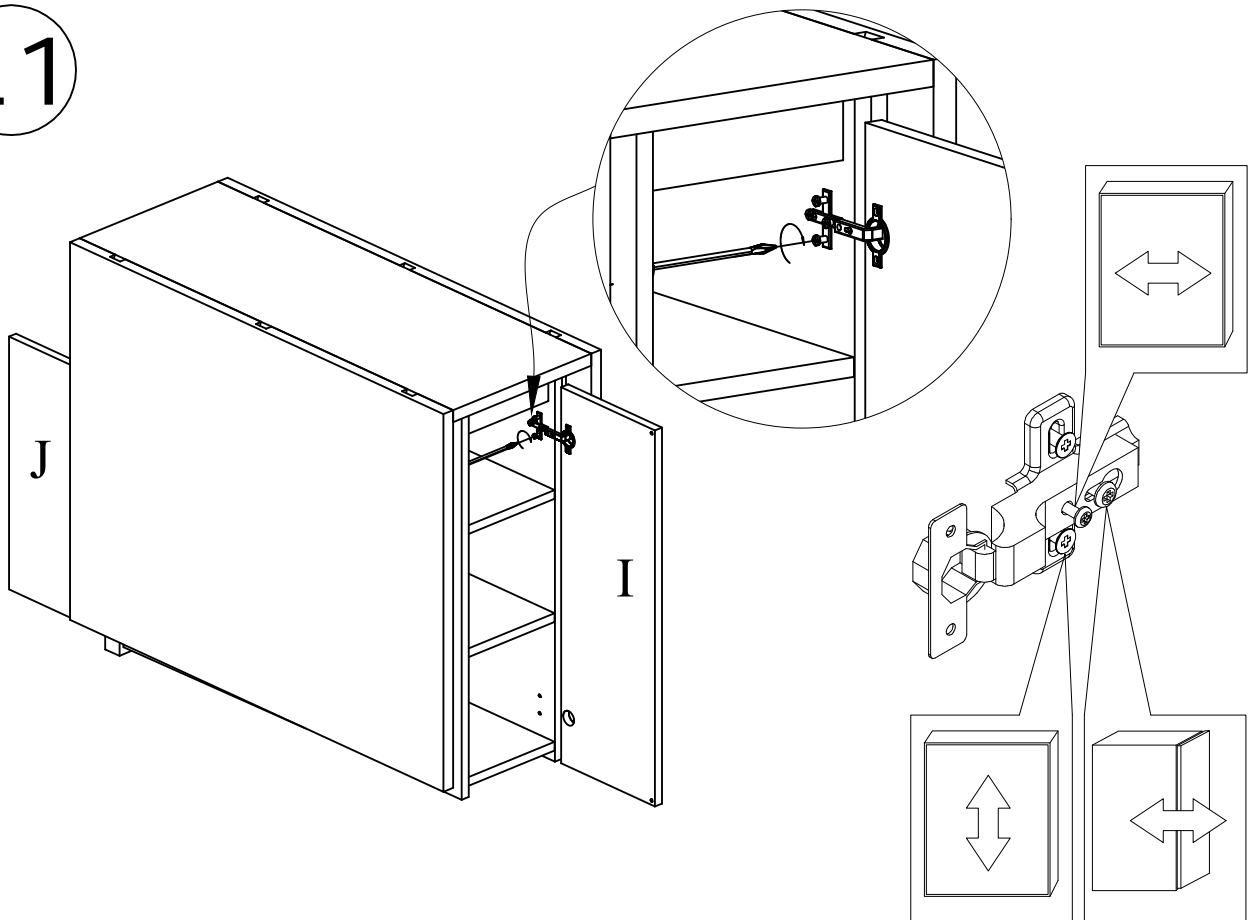
9



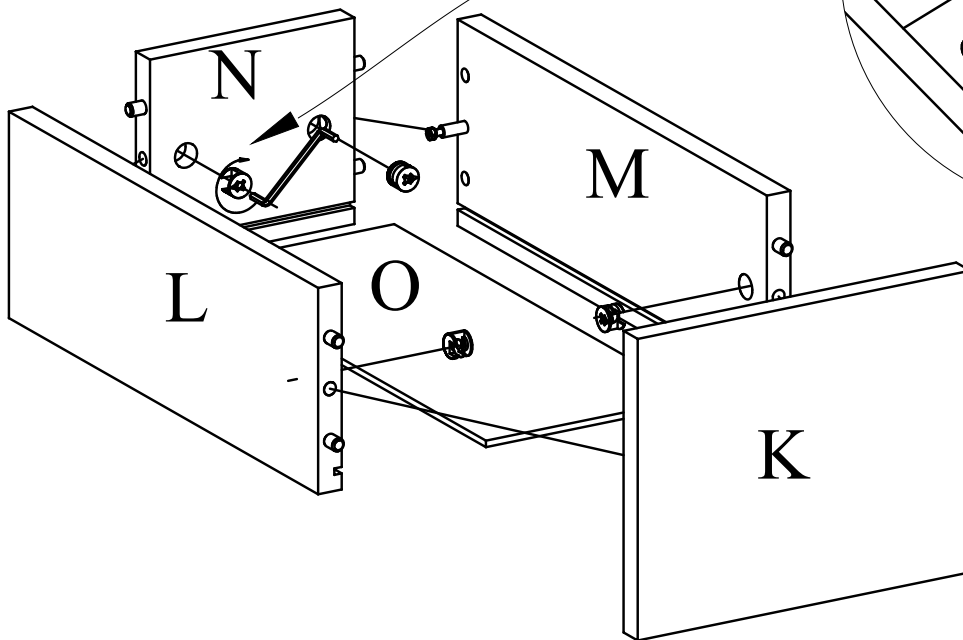
10



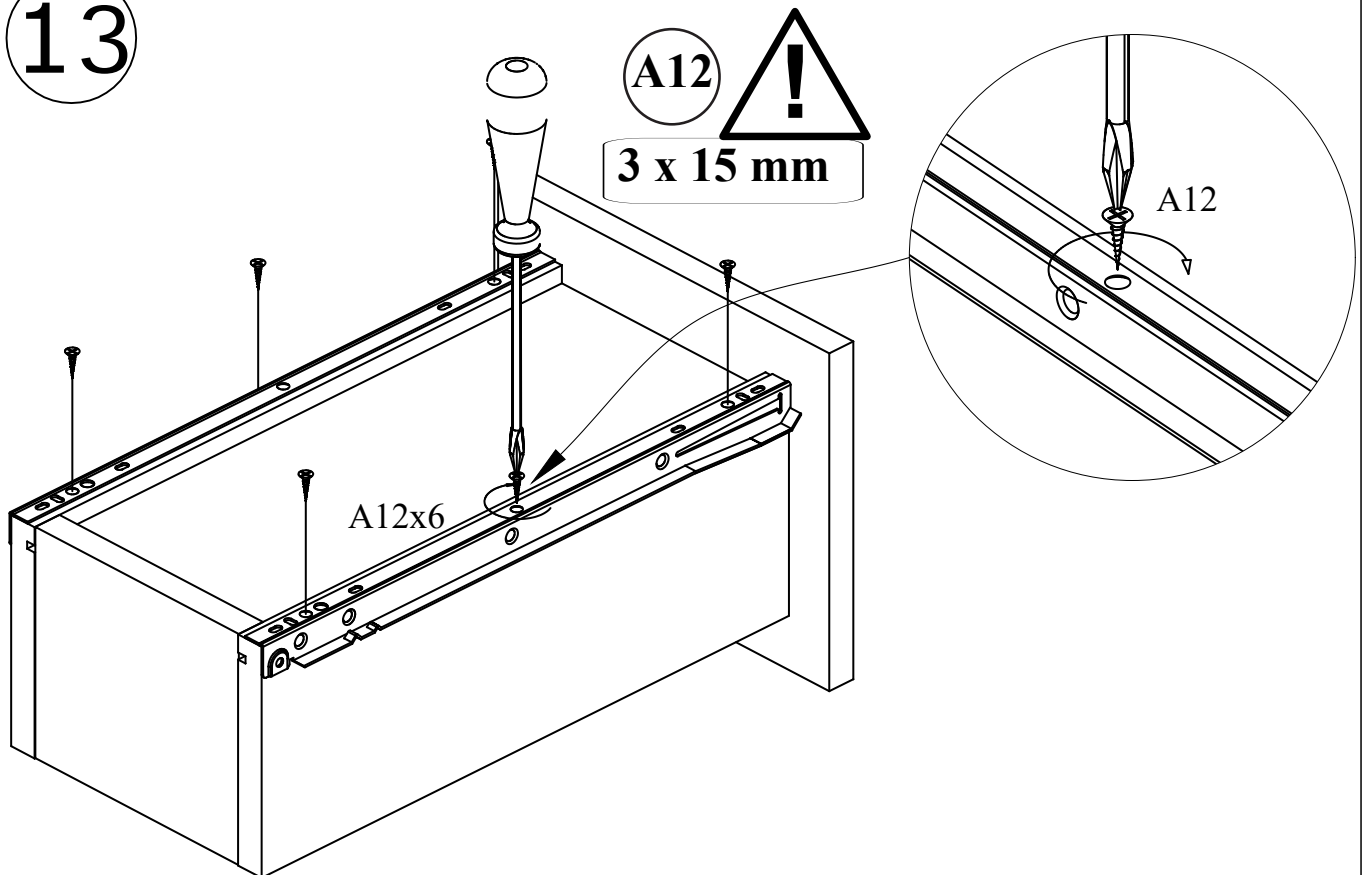
11



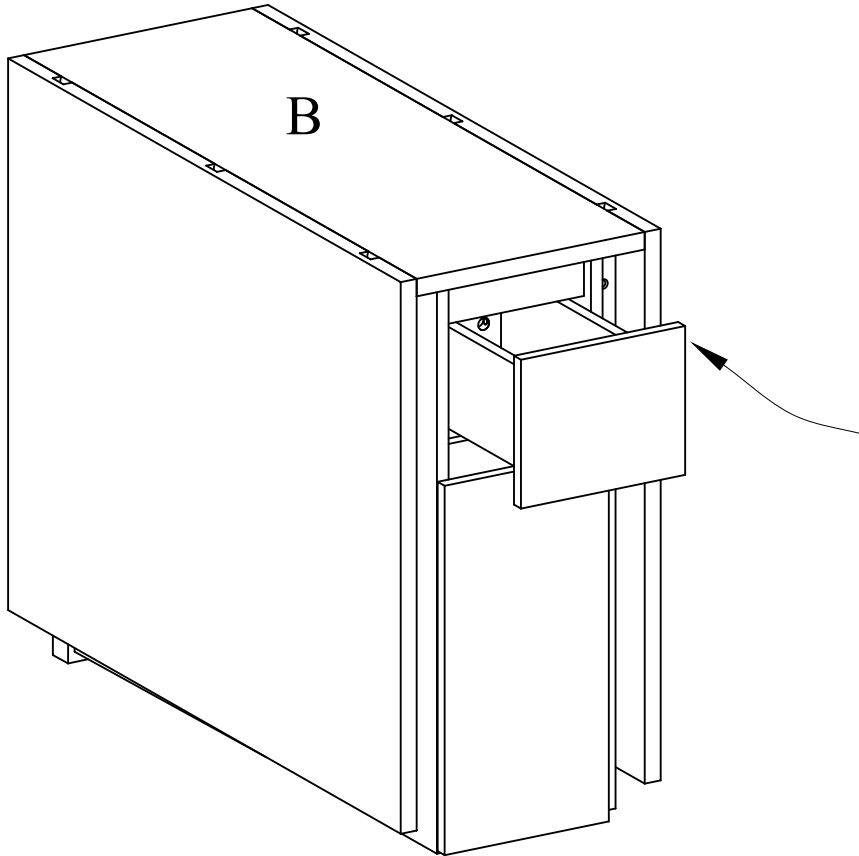
12



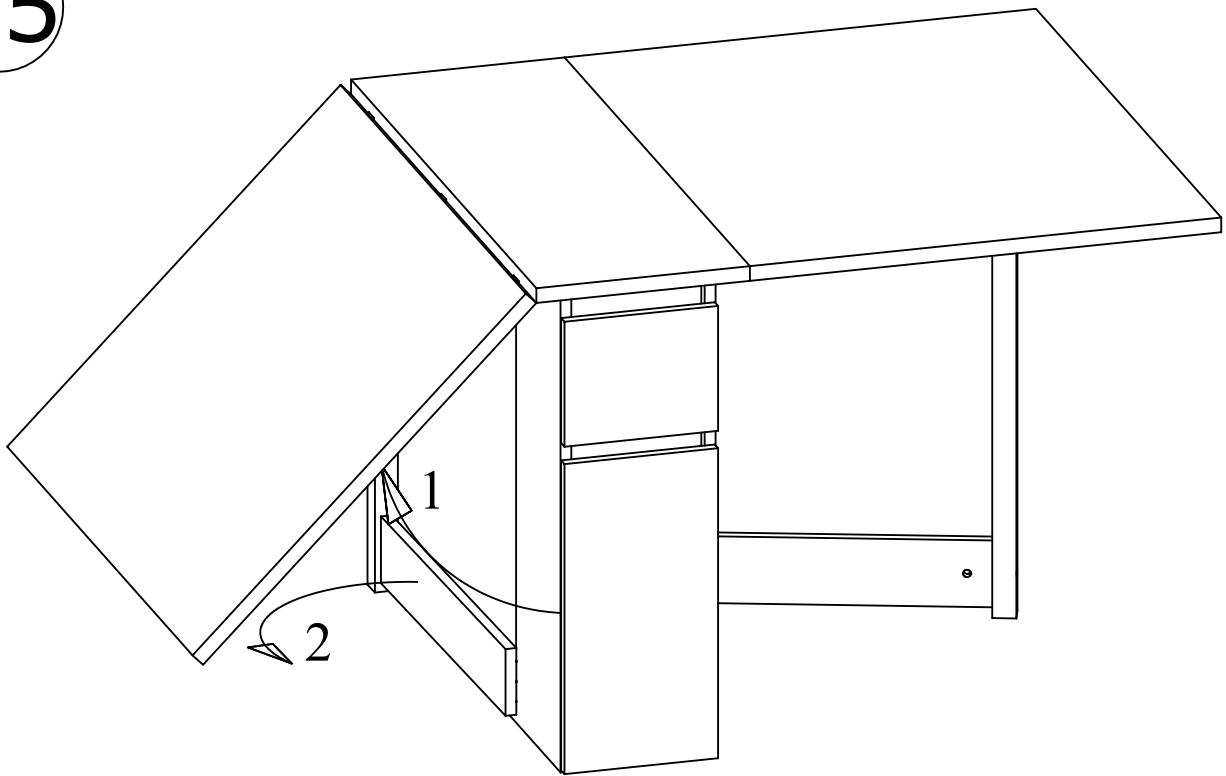
13



14



15



Safety and Care Advice

General care and maintenance

Only clean using a damp cloth and mild detergent, do not use bleach or abrasive cleaners.

From time to time check that there are no loose screws on this unit.

This product should not be discarded with household waste. Take to your local authority waste disposal centre.

Cleaning and care of lacquered surfaces

Regular dusting with a dry cloth will keep your units clean.

Clean marks with a damp cloth.

Do not use abrasive cleaners.

Do not clean with products containing following:

Acetone (e.g. nail varnish remover), Ammonia (e.g. bleach) or Sodium hydroxid (e.g. Caustic soda, drain and oven cleaners).

To remove stubborn stain, wipe over with damp cloth and washing up liquid.

In the event of accidental contact with aggressive cleaners, rinse thoroughly with water. Use place mats to protect the surface from moisture and heat.

Maximum weight limit

Important: Recommended maximum load for each shelf is shown below.

