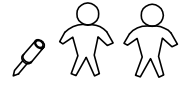
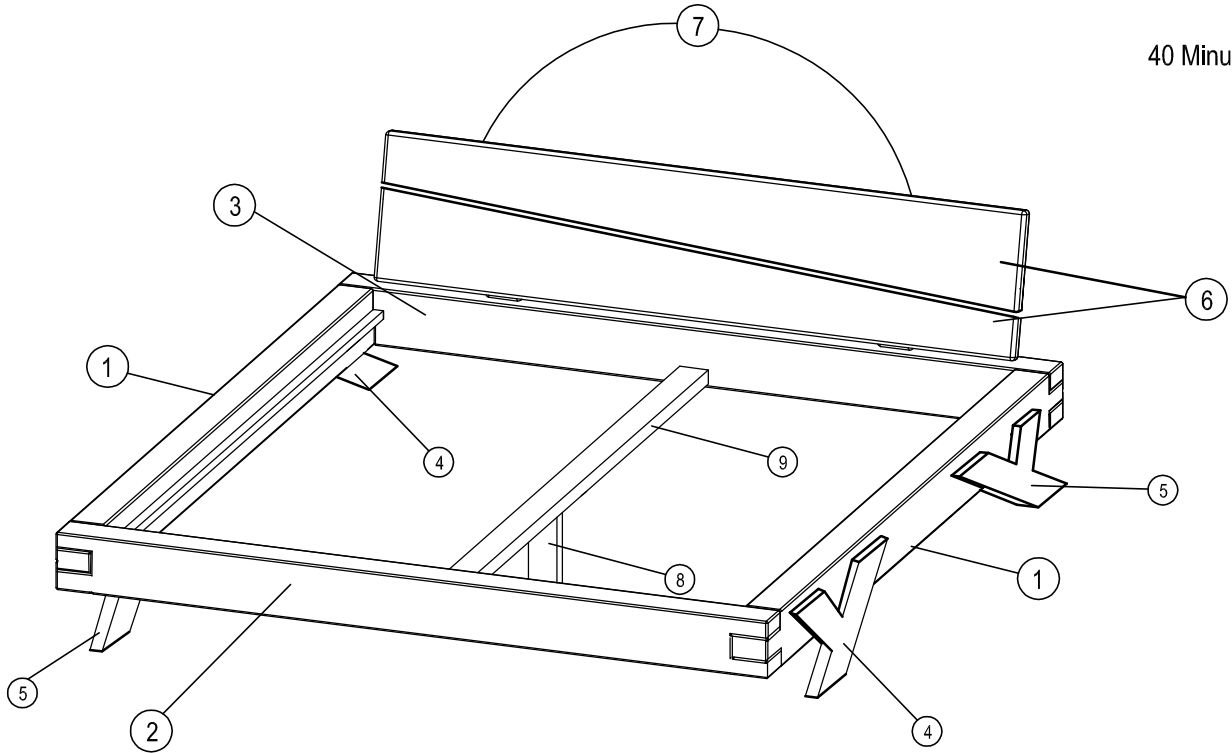


# BED "Y" - ASSEMBLY INSTRUCTION



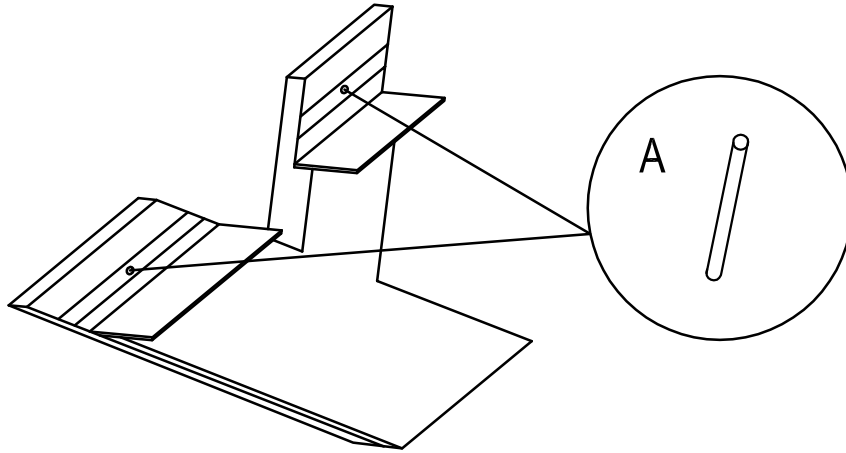
40 Minuten



M8x105  Ax8	Ø25  Bx8	M8  Cx8	35x35x90  Dx4	Ø3,5x30  Ex66	 Fx2	M6x50  Gx6	M6x60  Hx4
			 Ix2	ø6x70  Jx2	SW4  x1		 x1

x4

1



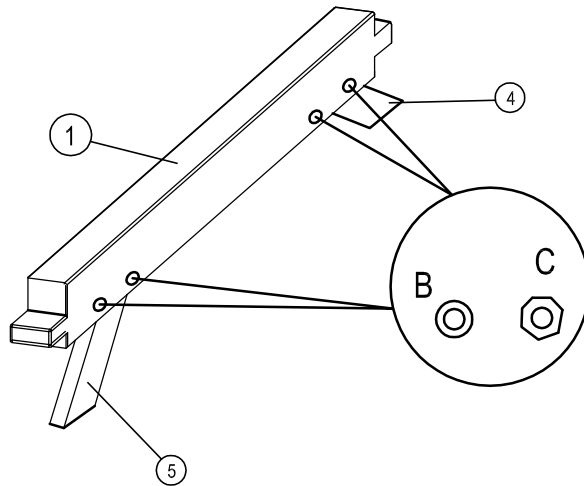
M8x105



Ax8

x2

2



Ø25

M8



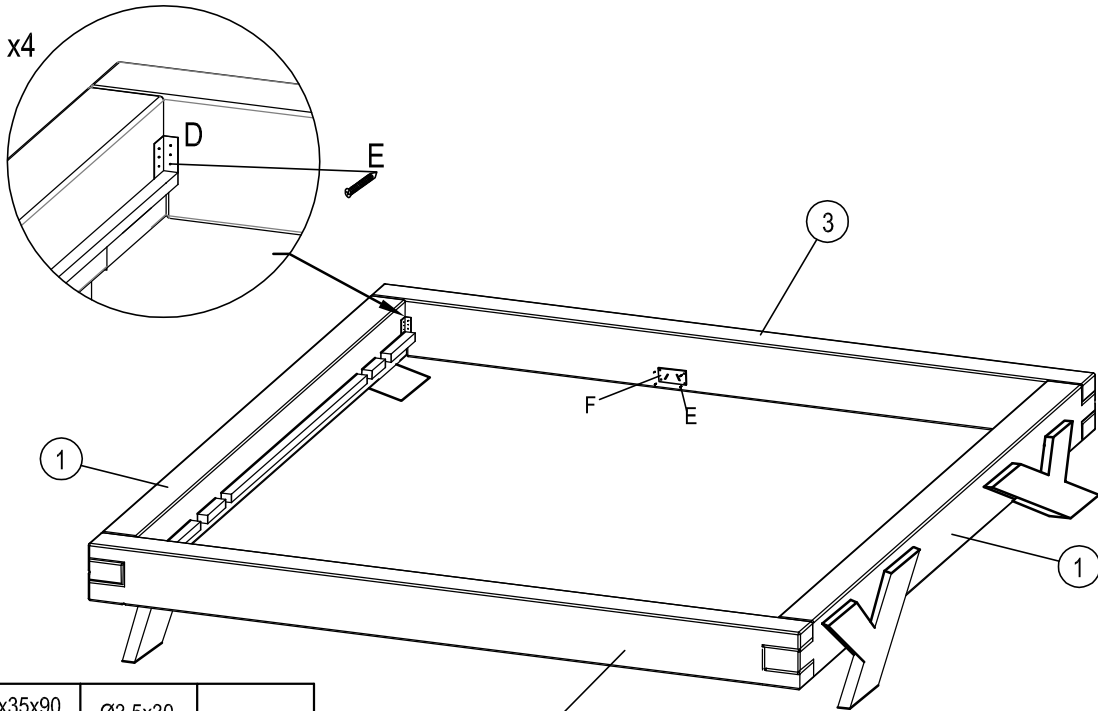
Bx8

Cx8

x1

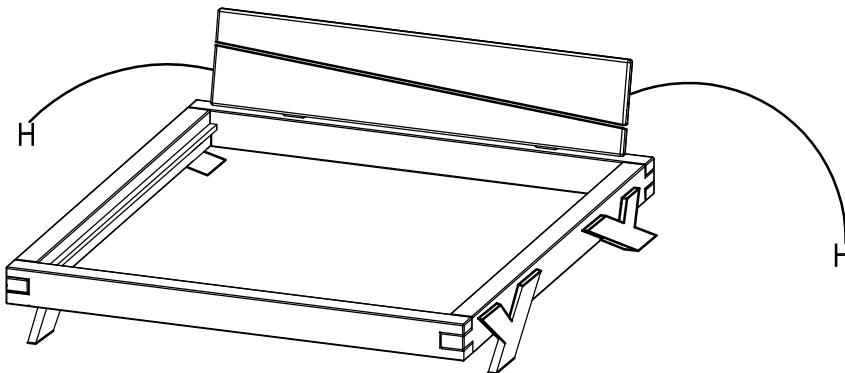
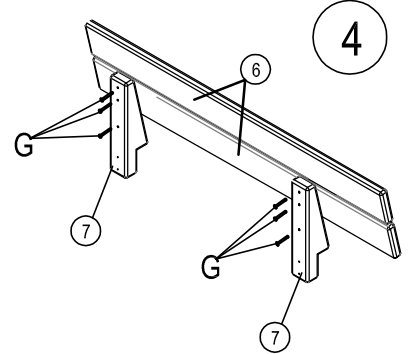
3

x4



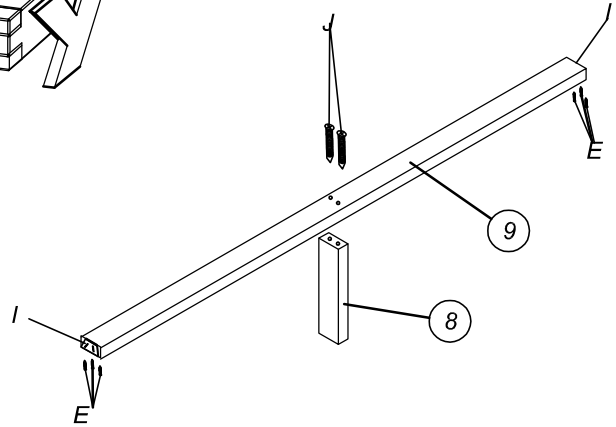
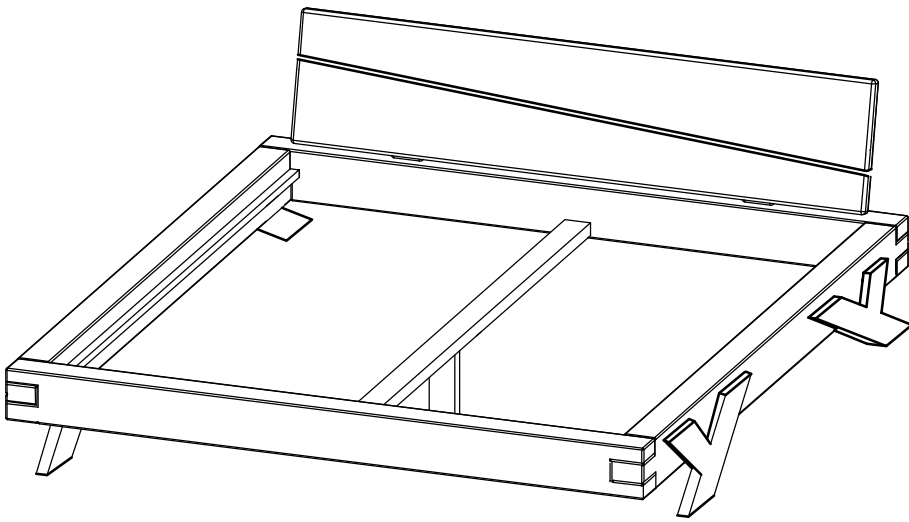
35x35x90	Ø3,5x30	
Dx4	Ex32	Fx2




4



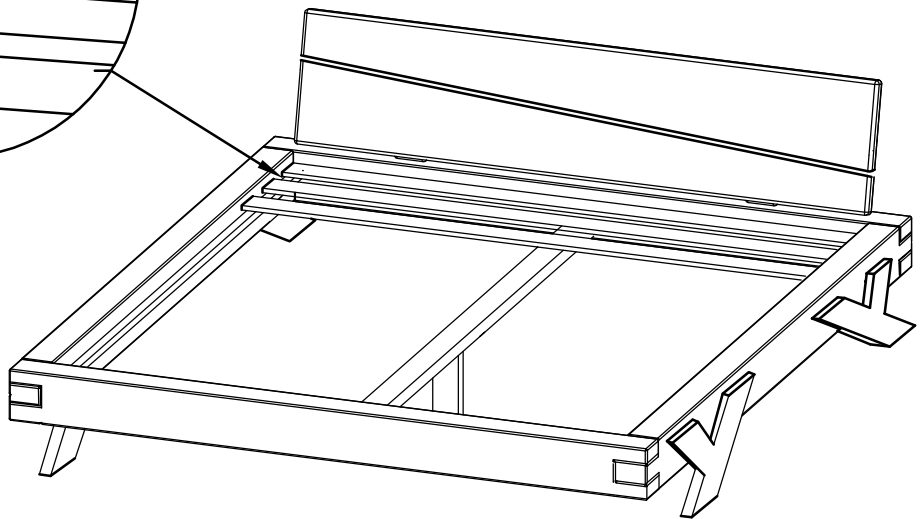
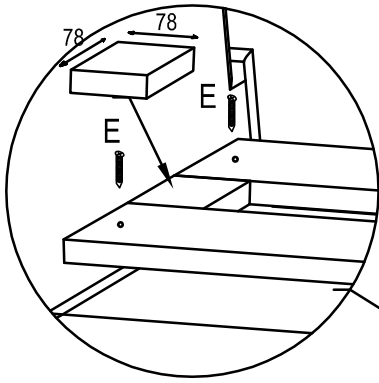
M6x50	M6x60
Gx6	Hx4

5



	$\varnothing 3,5 \times 30$	$\varnothing 6 \times 70$
$1 \times 2$		
	$Ex6$	$Jx2$

6



$\varnothing 3,5 \times 30$

$Ex28$