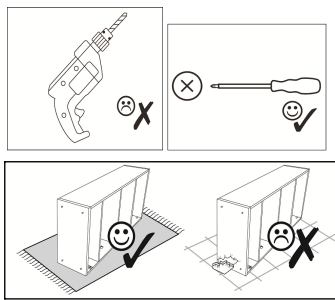






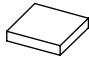
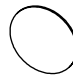



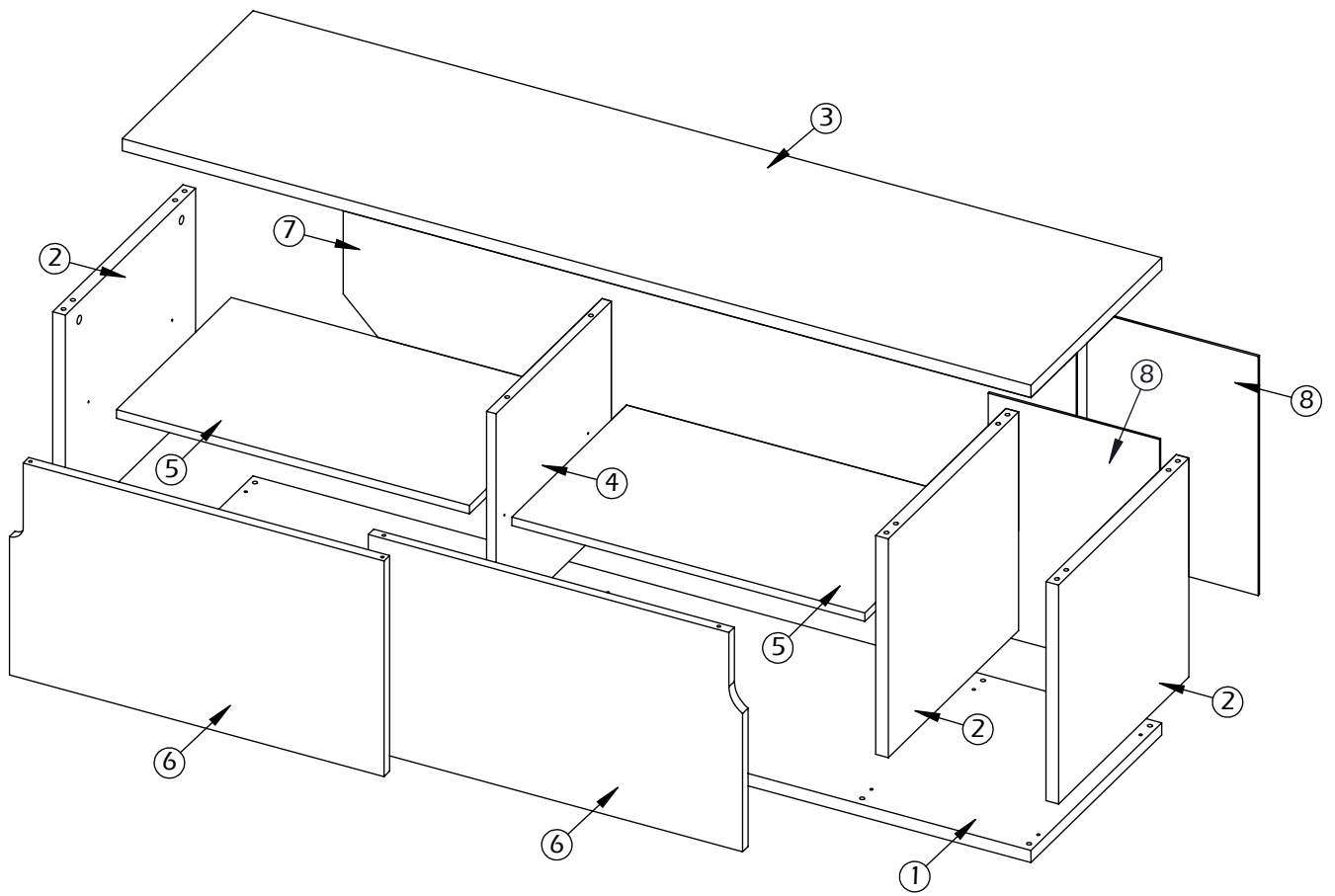


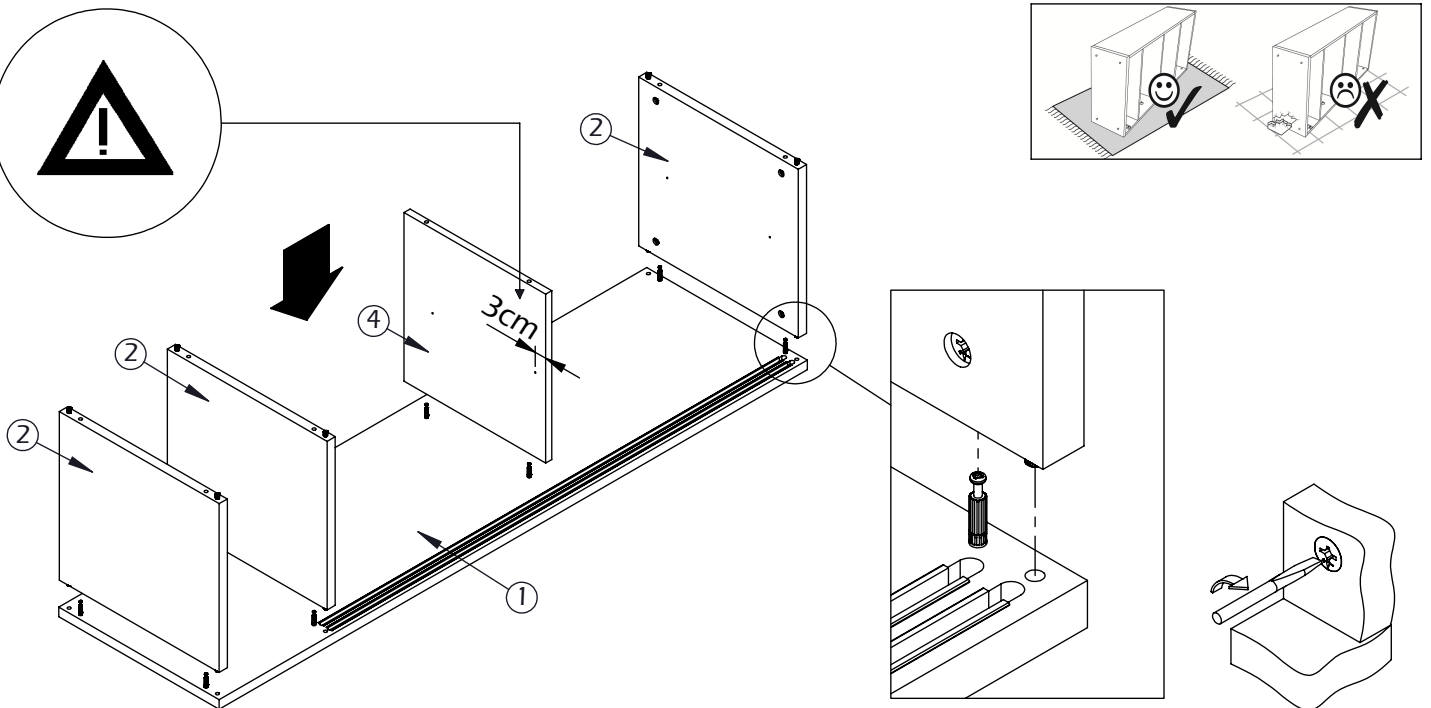
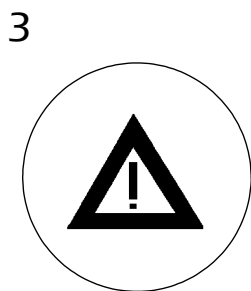
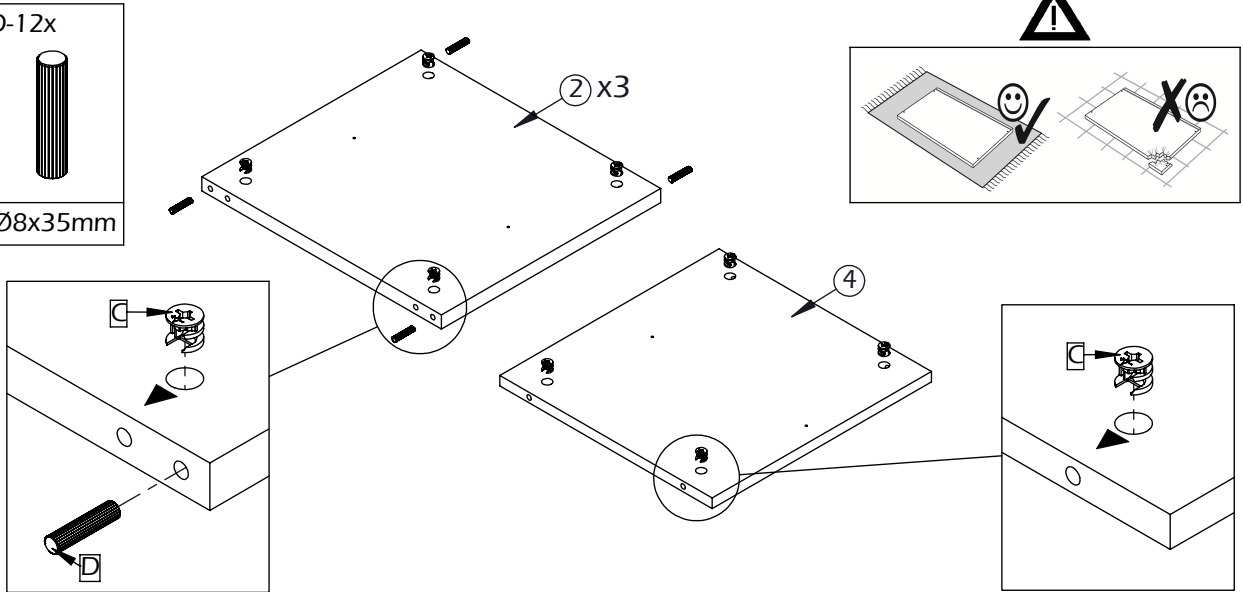
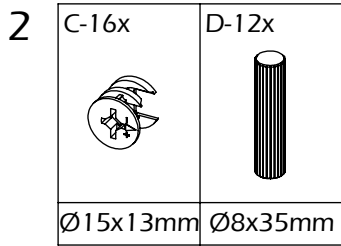
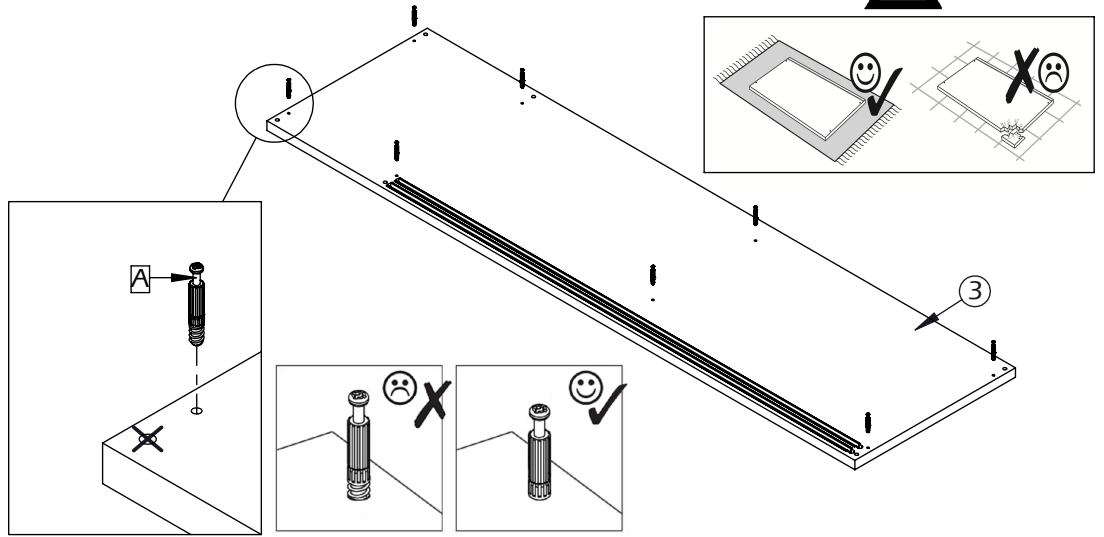
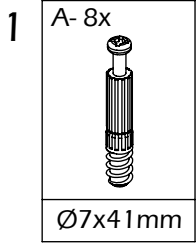
7200.543/468/356



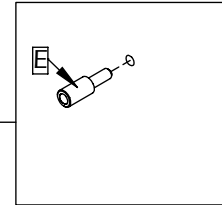
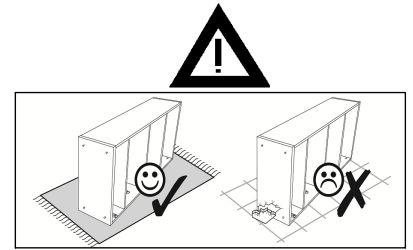
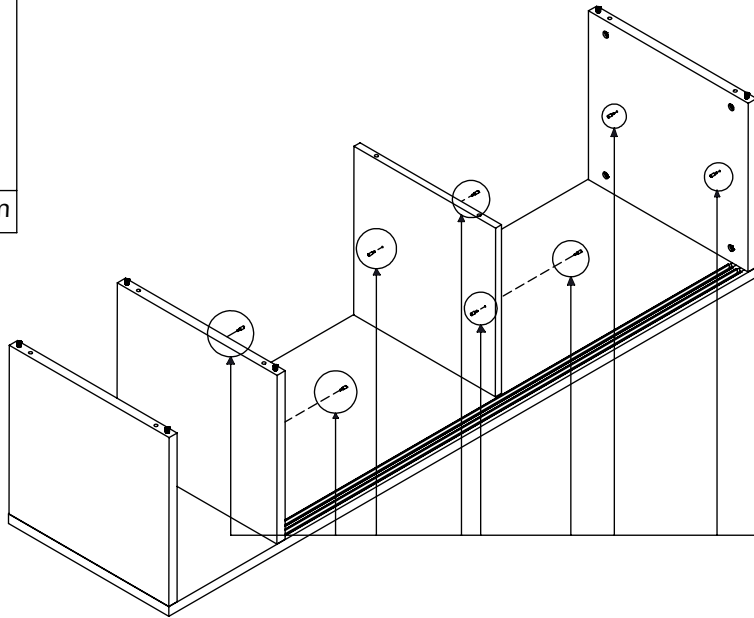
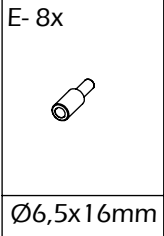
			 A - 16x Ø7x41mm 0512.041			 B - 6x Ø12x16mm 0520.182		 C - 16x Ø15x13mm 0512.042	
D - 12x  Ø8x35mm 0540.003	E - 8x  Ø6,5x16mm 0900.174	F - 8x  Ø10x2mm 0520.102	G - 4x  16x16x3mm 0992.009	H - 16x  Ø20x0,5mm 0520.009/ 172	I - 14x  Ø4x29mm 0513.001	J - 2x  20x14x3,5mm 0513.030	K - 2x  Ø3x16mm 0512.116		

IM-0623.847/8

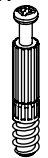
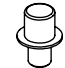

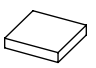


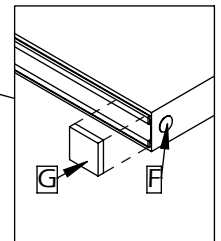
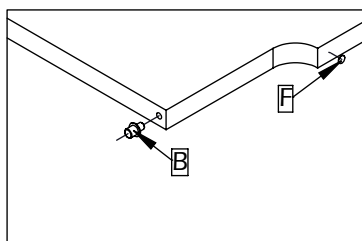
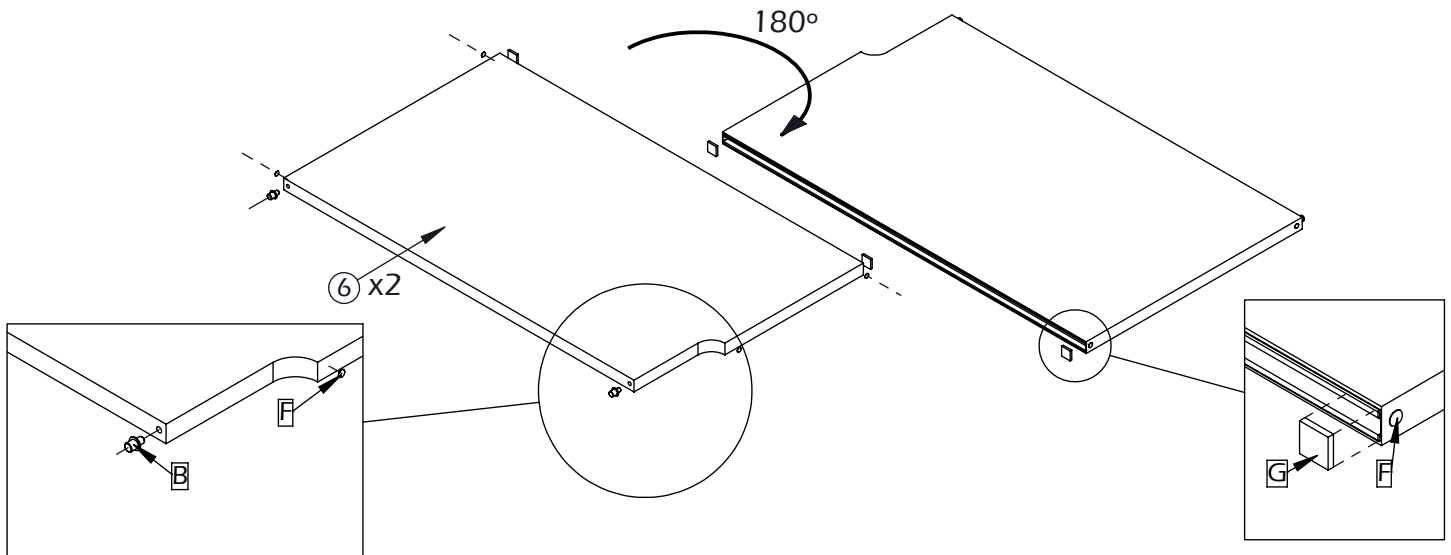
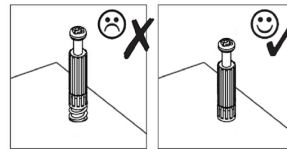
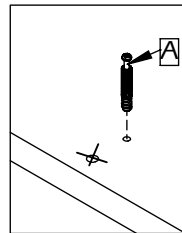
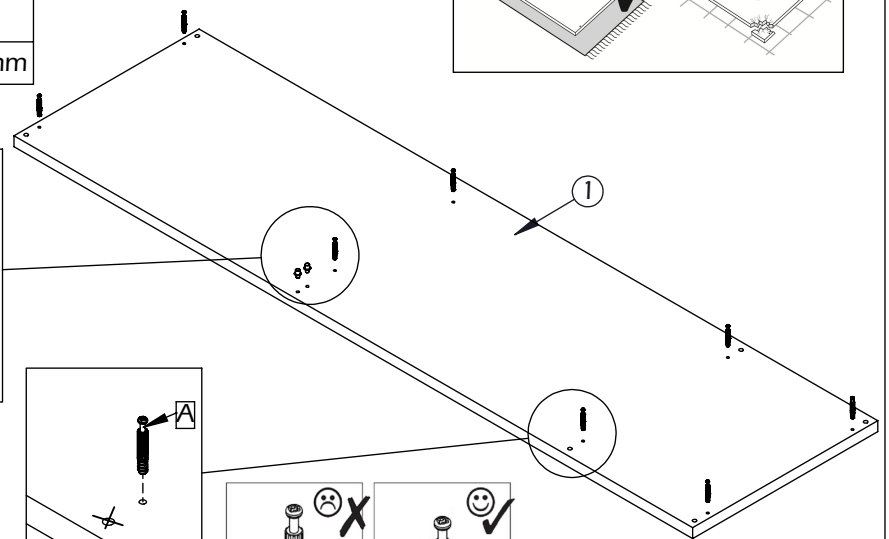
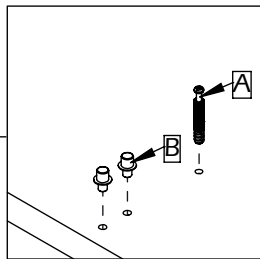
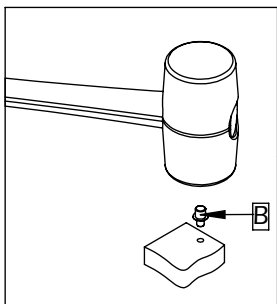
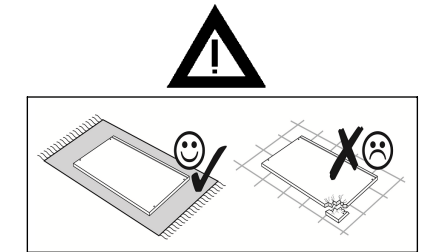


4

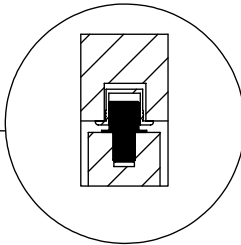
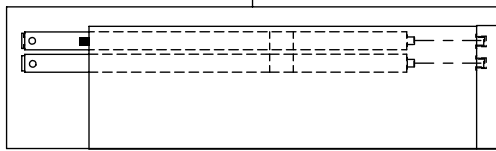
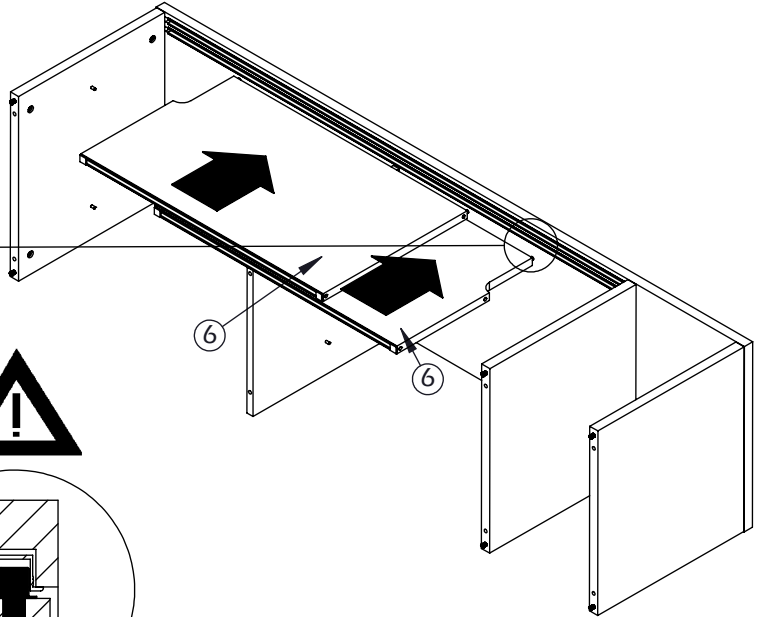
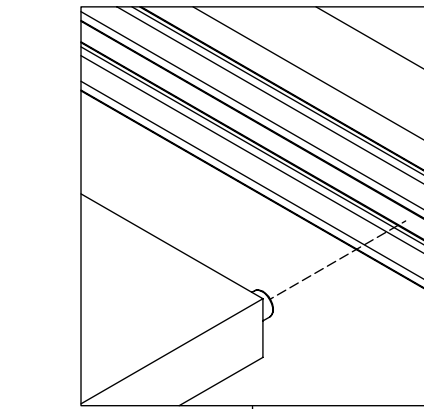
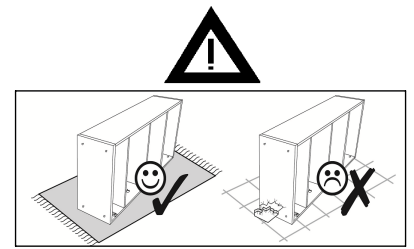
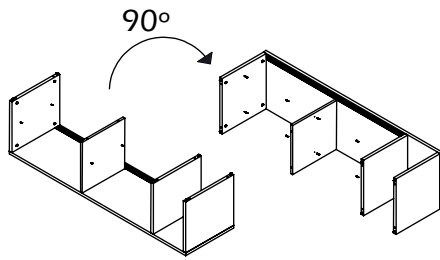


5

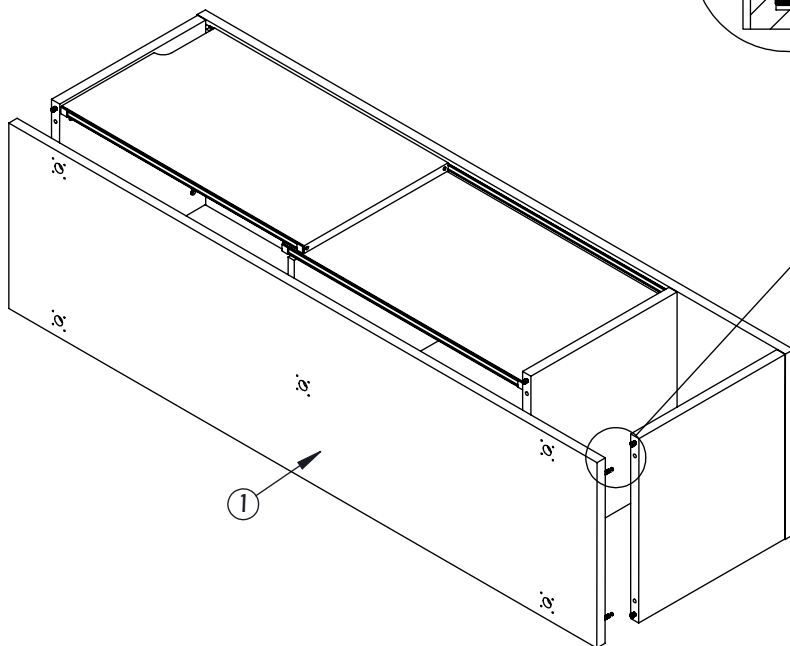
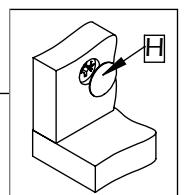
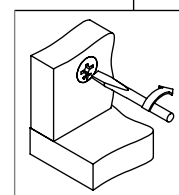
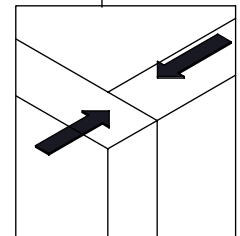
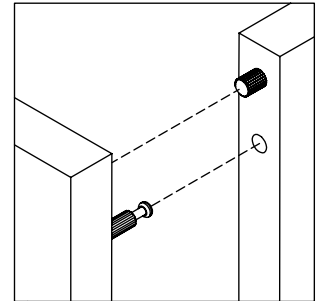
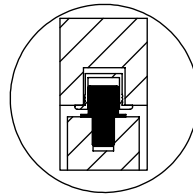
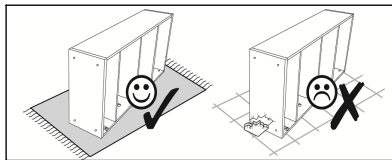
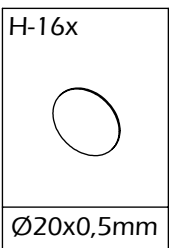
A- 8x 	B- 6x 	F- 8x 	G-4x 
Ø7x41mm	Ø12x16mm	Ø7x2mm	16x16x3mm






6

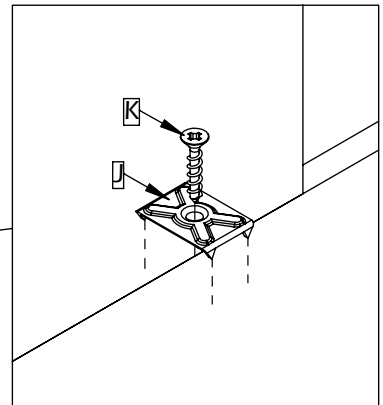
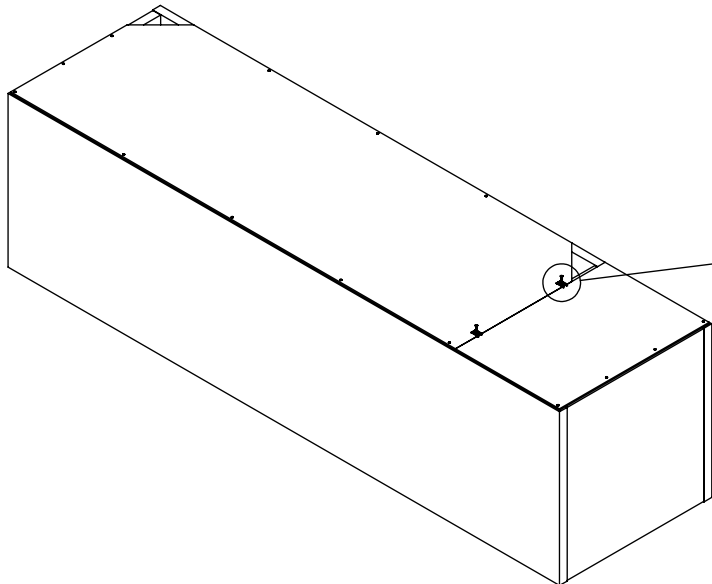
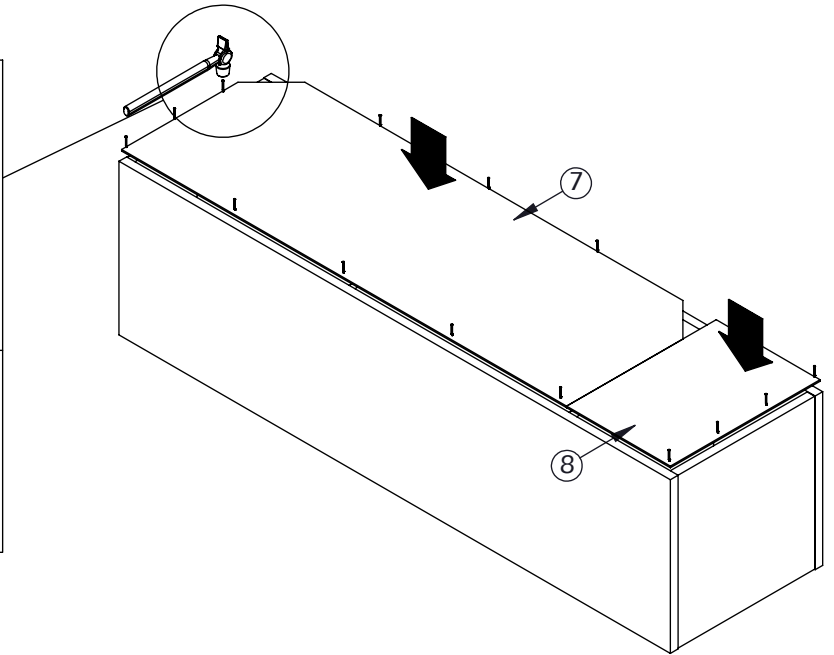
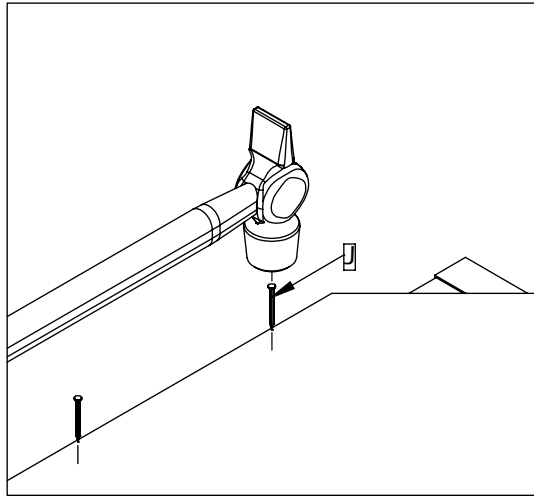
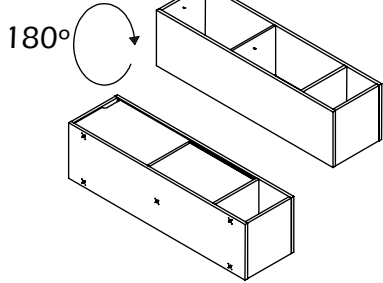
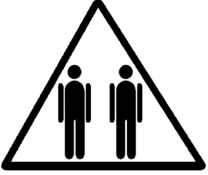
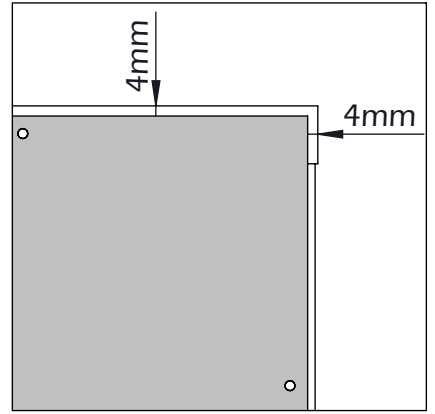
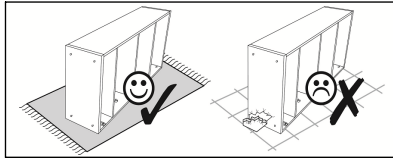


7

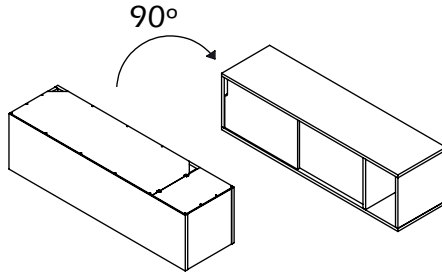
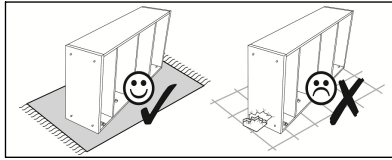


8

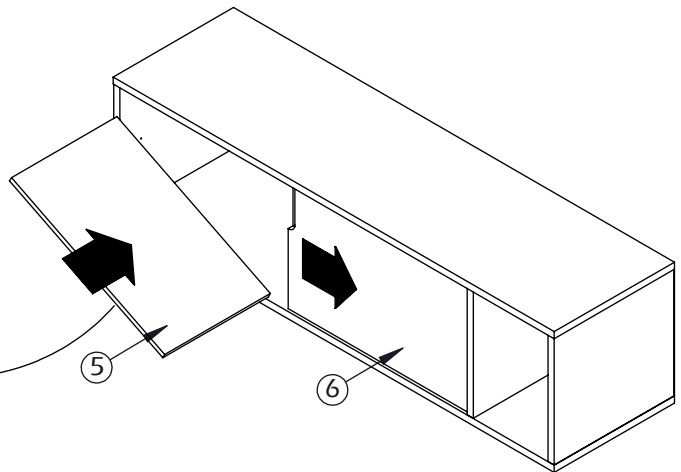
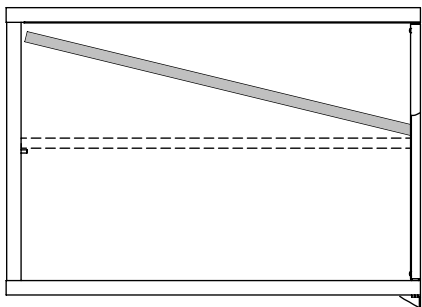
I-14x 	J- 2x 	K- 2x 
Ø4x29mm	20x14x4mm	Ø3x16mm



9



1°



2°

