

Eton Bed Basic

Product Fact Sheet

Product description

Introducing Eton - comfortable & precisely crafted bed, tailored to your dreamy interior. Carefully balanced proportions of Eton provide inspiring aesthetics to different kinds of bedrooms.

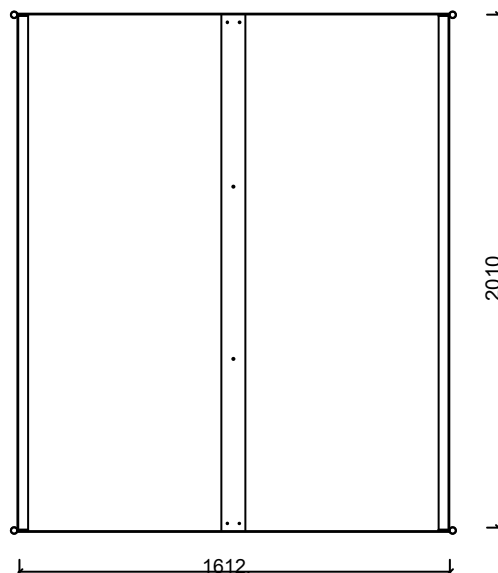
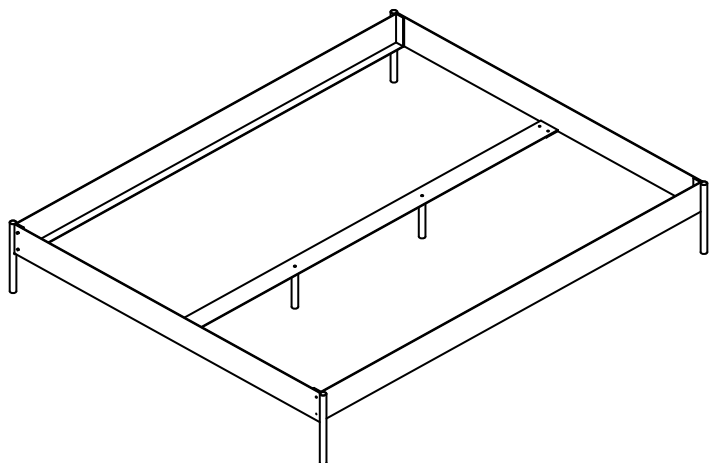
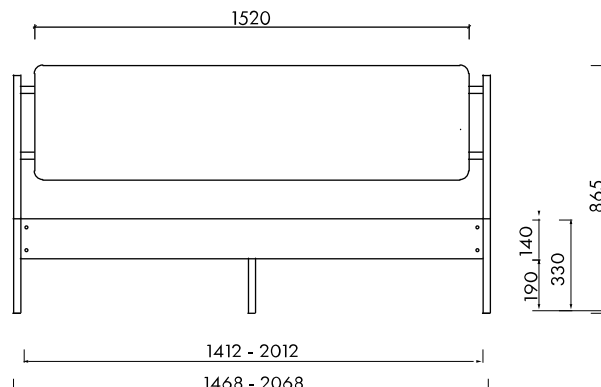
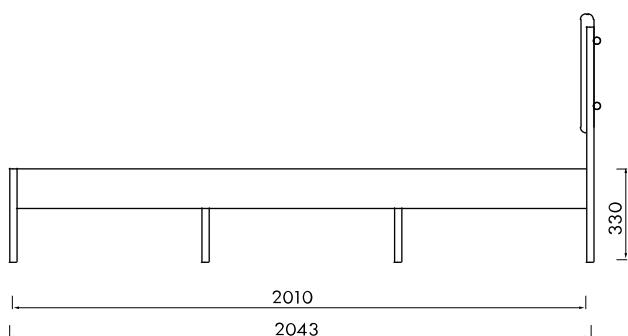
Eton is made of an extremely durable powder coated steel, bringing elegance to your bedroom.

Its precisely rounded legs, carefully balanced proportions and the incredibly minimal shape of the bed results in a long-lasting use and an exceptional daily comfort.

Designed by

noo.ma team / Anna Pietkun, Zuzanna Muszalska, Damian Goliński

Dimensions (mm)



Available variants



Vulcano
Black

—

SKU: FUR1081



Piazza Beige

—

SKU: FUR1850



Iced Coffee
Brown

—

Headboard



Sand Beige

—

Headboard

Category

Beds & Night Stands

Materials

Frame: steel
Headboard: plywood

Environment

Indoor

Produced in

Poland

Finish

Frame: powder coated steel
Headboard: fabric - 100% polyester

Additional information

- special scratch resistant powder coating
- mattress not included, slats & headboard optional

Delivery time

Most likely we do not own stock of this product - it is usually made to order.
Regular delivery time for all board furniture, beds and tables is 4-7 weeks. All products from one order are being shipped together unless otherwise stated.

Shipping & Delivery

noo.ma most commonly uses FedEx as a forwarder for this product. The service includes a delivery in several packages directly to your home/office with carrying up stairs.

3D Models

[Click here to download 3D models](#)

Contact us

Need our help? Contact us at support@noo.ma.
Visit www.noo.ma for more information.

Packaging

This furniture is flat-packed to assure security during transportation, easy lifting and carrying as well as reduce its carbon footprint. The packaging itself is also eco-friendly with almost zero use of plastic.

Assembly

All of our furniture are preassembled which means that all the pieces are already ready to use. Final assembly is simply connecting these pieces together using special connectors placed in all the components. This process is easy and does not require any special tools.

Care Guide

[Click here to download Care Guide](#)