

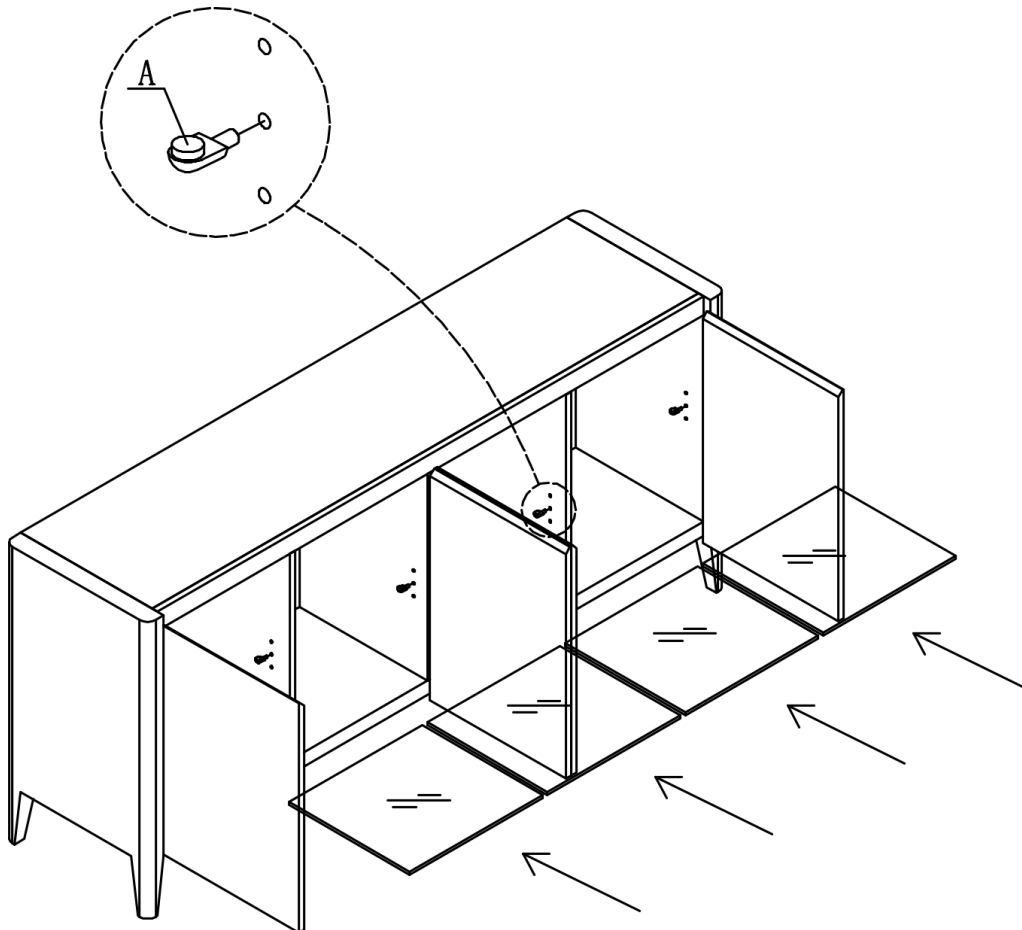
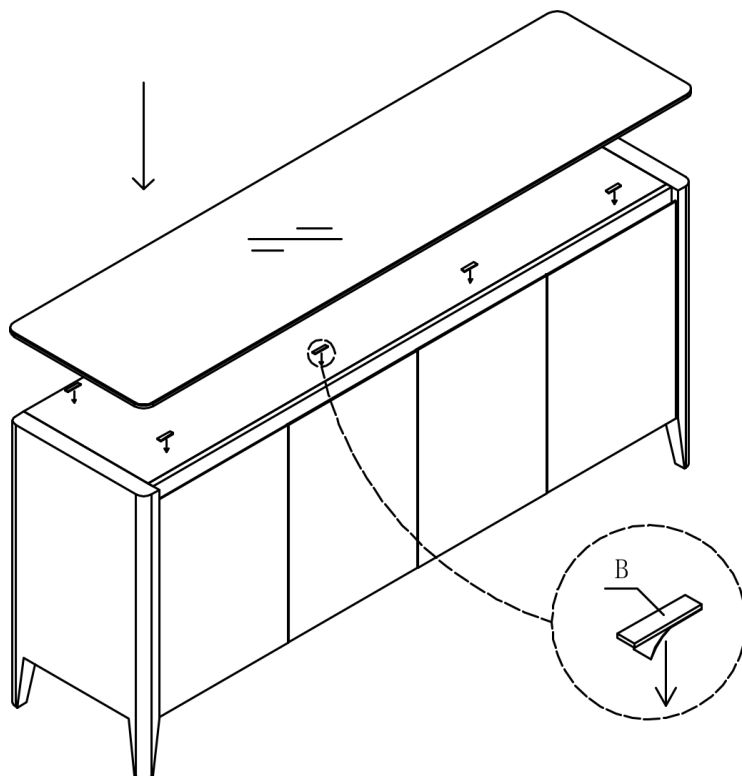


SETTING FITTINGS					
FITTINGS	SPEC.	AMOUNT	FITTINGS	SPEC.	AMOUNT
A	 $\phi 5$	16pcs	B	 50x10x1	8pcs

**FIG.**  
**1**



**FIG.**  
**3**



**FIG.**  
**4**

