

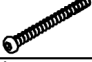




SETTING FITTINGS					
FITTINGS	SPEC.	AMOUNT	FITTINGS	SPEC.	AMOUNT
A	 M8x100	8pcs	B	 $\Phi 17x\Phi 8x2$	8pcs
C	 6mm	1pcs	D	 50x10x1	8pcs
E	 $\Phi 14x\Phi 8x2.5$	8pcs			

FIG.
1

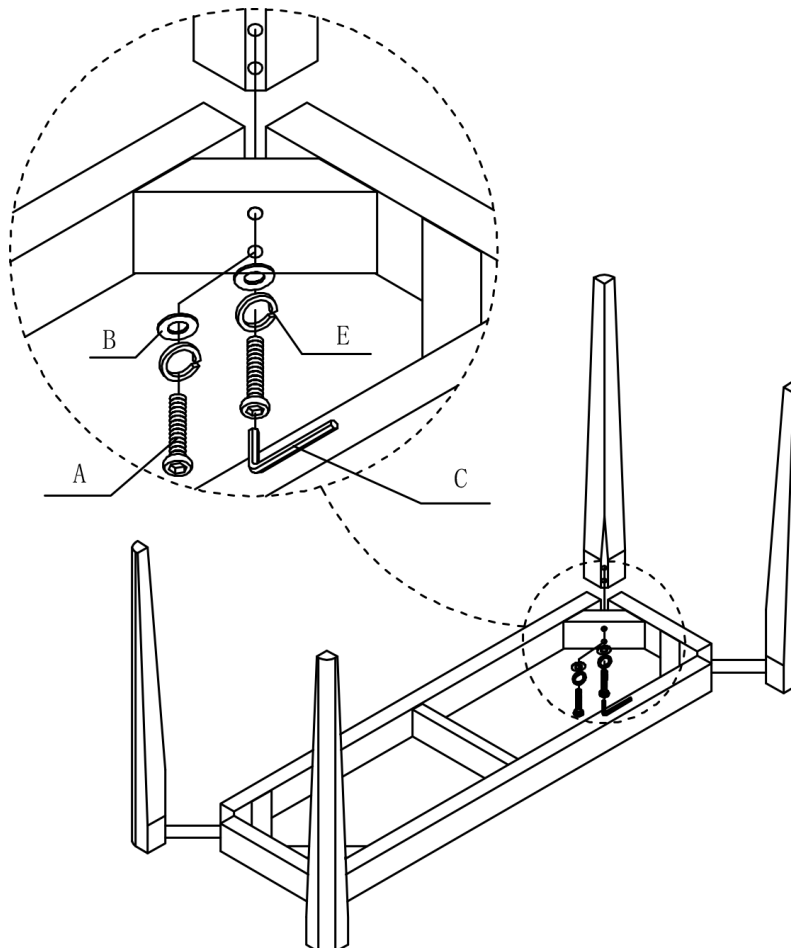


FIG.
2

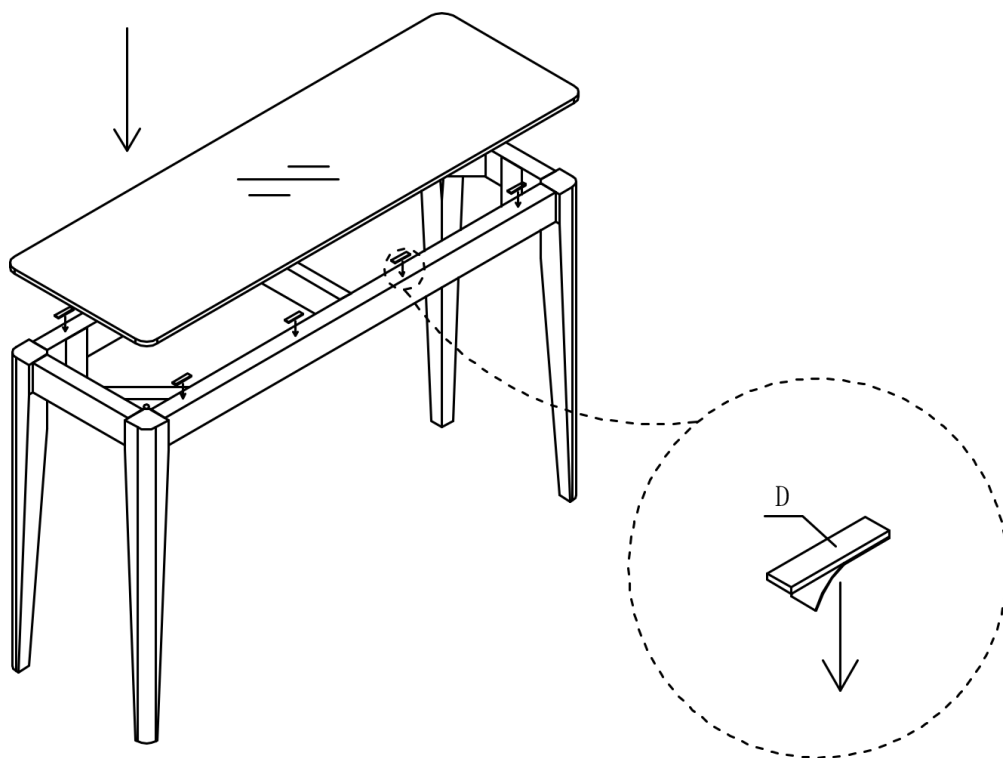


FIG.
3

