



SETTING FITTINGS			DR-136G2-01-A		
FITTINGS	SPEC.	AMOUNT	FITTINGS	SPEC.	AMOUNT
A		8pcs	B	 3.5x40	8pcs

FIG.
1

NOTE: ①This mirror can be chosed to either lean or hang (horizontally or vertically) on the wall.
②This AI is only for vertical hanging.

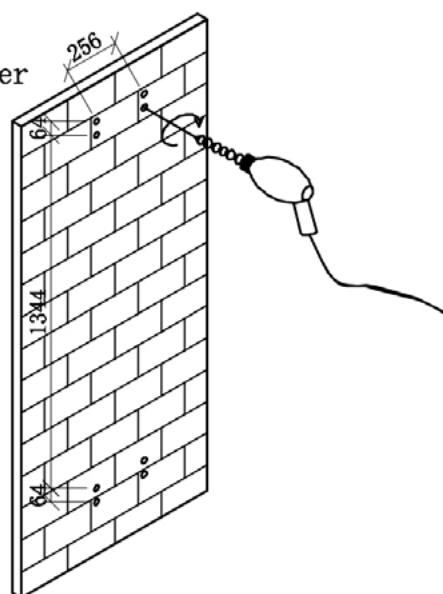


FIG.
2

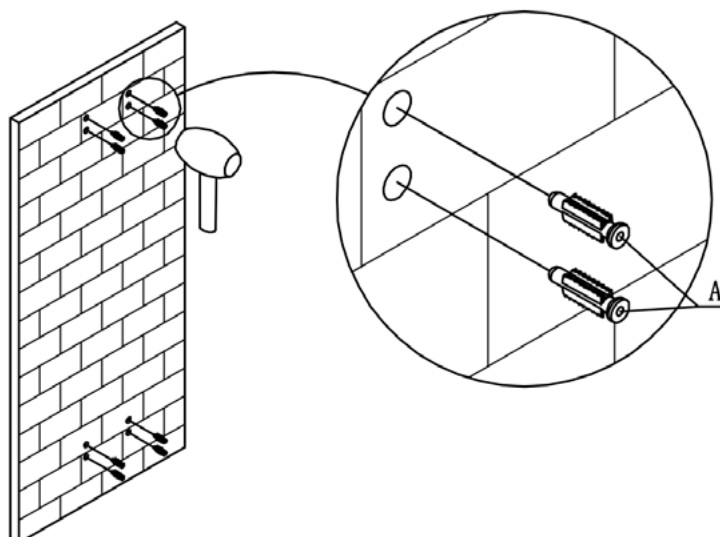


FIG.
3

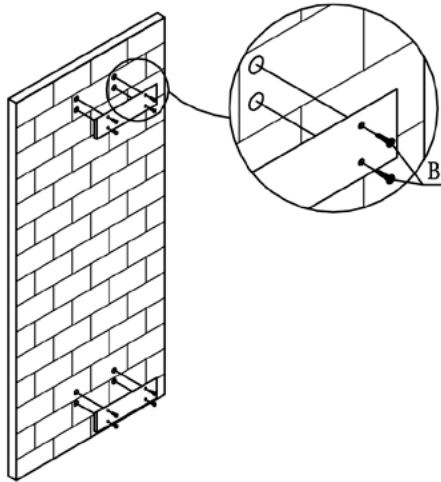


FIG.
4

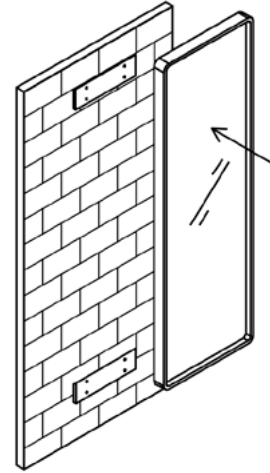
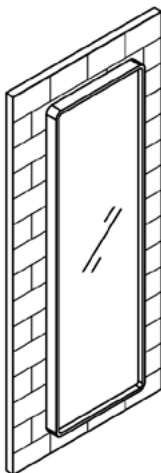


FIG.
5



Anti-TiP Kit

It is recommended that the Anti-Tip Kit included with this product be installed for added safety and stability. It is essential to use wall anchors appropriate for your wall type (i. e. plaster, drywall, concrete, etc.), along with appropriate screws, for proper mounting. The screws included in this Anti-Tip Kit may not be suited for all wall types. Mounting to wood studs is recommended. Consult a qualified professional or your local hardware store for appropriate mounting hardware suited for your specific wall medium.




SETTING FITTINGS			DR-136G2-01-A		
FITTINGS	SPEC.	AMOUNT	FITTINGS	SPEC.	AMOUNT
A		8pcs	B	 3.5x40	8pcs
C	 5mm	1pcs			

FIG. 1

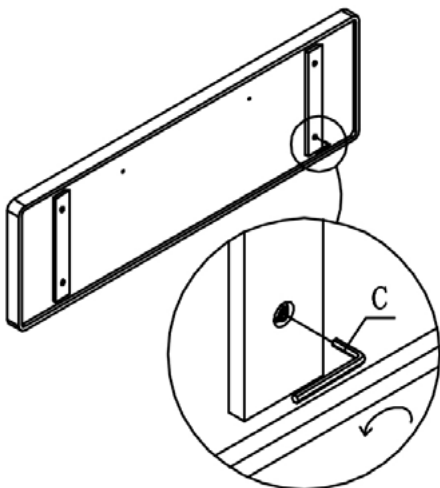


FIG. 2

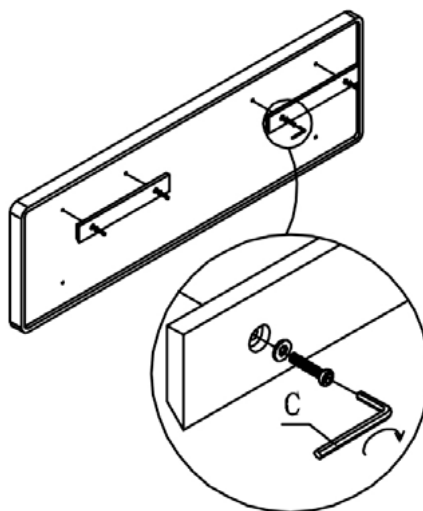


FIG. 3

NOTE: ①This mirror can be chosed to either lean or hang (horizontally or vertically) on the wall.
②This AI is only for horizontal hanging.

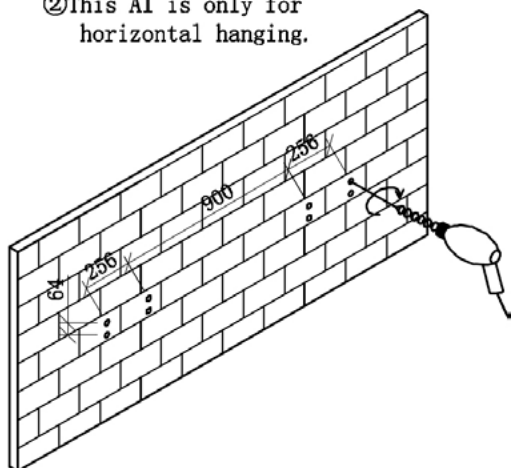


FIG. 4

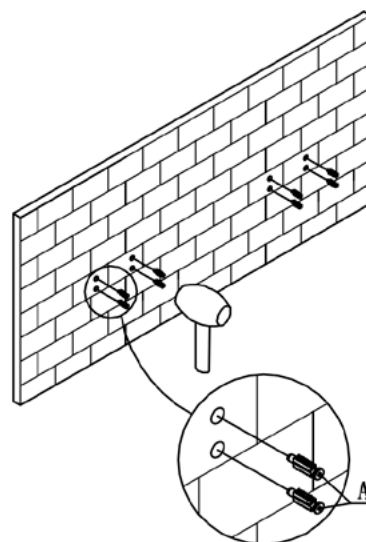


FIG.
5

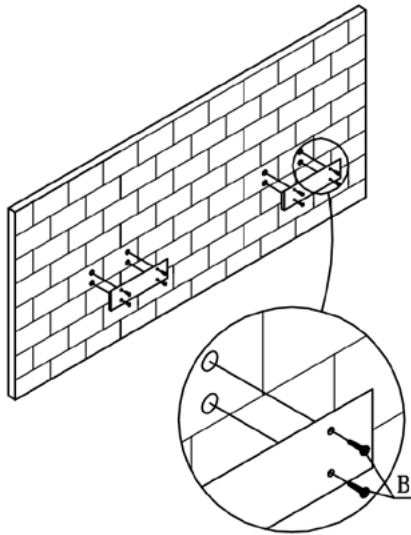


FIG.
6

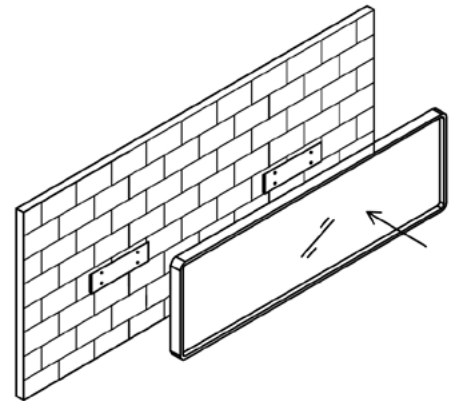
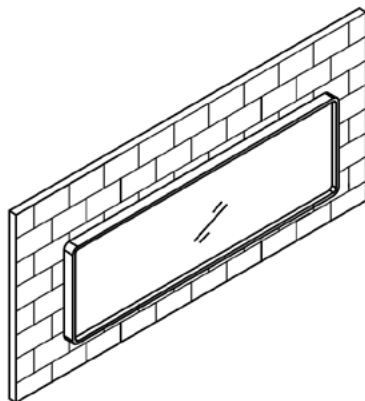


FIG.
7



Anti-Tip Kit

It is recommended that the Anti-Tip Kit included with this product be installed for added safety and stability. It is essential to use wall anchors appropriate for your wall type (i. e. plaster, drywall, concrete, etc.), along with appropriate screws, for proper mounting. The screws included in this Anti-Tip Kit may not be suited for all wall types. Mounting to wood studs is recommended. Consult a qualified professional or your local hardware store for appropriate mounting hardware suited for your specific wall medium.





SETTING FITTINGS			DR-136G2-01-A		
FITTINGS	SPEC.	AMOUNT	FITTINGS	SPEC.	AMOUNT
A		2pcs	B	 3.5x30	2pcs
C	 $\phi 25$	3pcs	D		1pcs

FIG.
1

NOTE: ①This mirror can be chosed to either lean or hang (horizontally or vertically) on the wall.
②This AI is only for leaning on the wall.

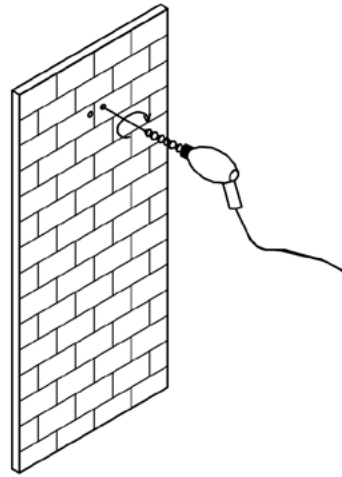


FIG.
2

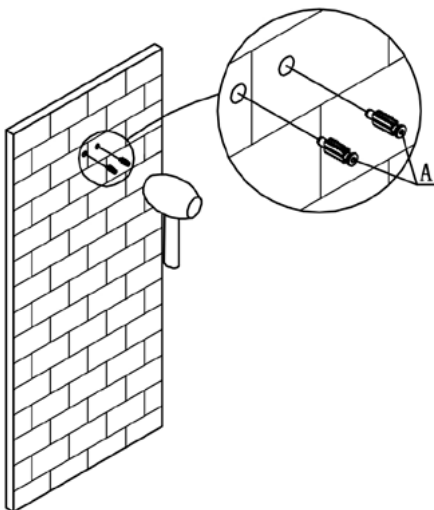


FIG.
3

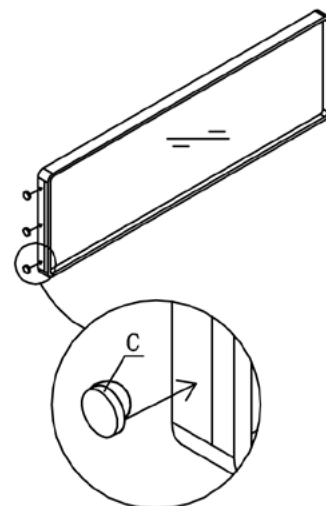


FIG.
4

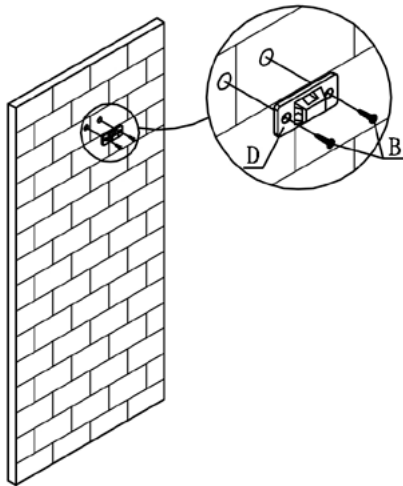


FIG.
5

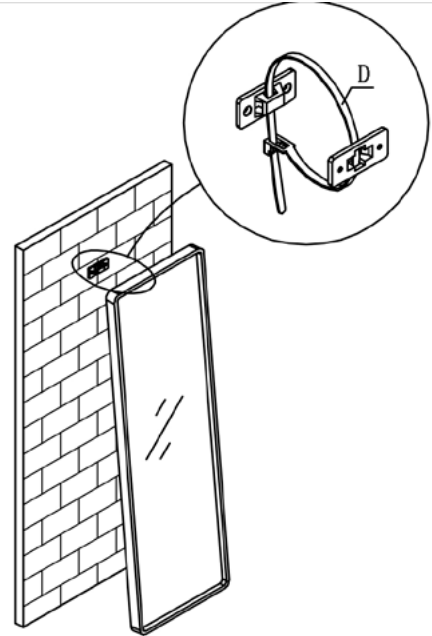
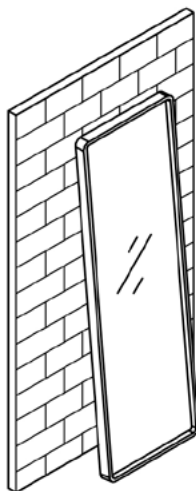


FIG.
6



Anti-Tip Kit

It is recommended that the Anti-Tip Kit included with this product be installed for added safety and stability. It is essential to use wall anchors appropriate for your wall type (i. e. plaster, drywall, concrete, etc.), along with appropriate screws, for proper mounting. The screws included in this Anti-Tip Kit may not be suited for all wall types. Mounting to wood studs is recommended. Consult a qualified professional or your local hardware store for appropriate mounting hardware suited for your specific wall medium.