



GAZZDA

Klupa Bench

Product sheet

design by
Salih Teskeredžić



Klupa Bench

Product facts

Materials

Body	Solid oak
Finish	Hardwax oil
Seat	Cotton webbing

Technical features

Body

Klupa's body is made out of solid wood. Product elements are connected with characteristic and visible wedged mortise and tenon joints. Felten gliders are attached to the chair legs and are suitable for most flooring options. The seat is attached to the body through matte black plastic seat spacers.

Seat

The lattice-woven cotton webbing is stretched over the seat frame and attached on its inner side to the benches body. For further information please see Available materials and colours page in this document.

Finish

Wooden parts are available in two plant-based Hardwax oil finishes (colours), which retain the wood's natural state, as a white or natural oil.

Cleaning

Please see [Product](#) or [Material](#) page on our website.

Notes to consider

Variations

Natural variations in wood color and surface may occur. Regular maintenance will ensure the wood preserves its authentic beauty and can last for generations.

Product changes

Please note that Gazzda reserves the right to alter construction and design without notice.

Dimensions (tolerances)

The dimensions shown are indicative, they may vary due to the natural properties of wood, season, or manufacturing processes. Deviations from the specified size may occur, usually no more than 1 cm.

For all additional inquiries regarding Klupa Bench please feel free to [contact us](#).

Klupa Bench 120

Base Solid Oak, Seat Webbing

Version: 5-2-2024

Basic info

Design Salih Teskeredžić

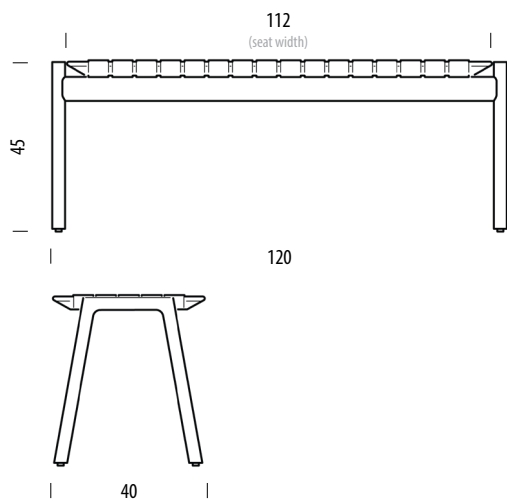
Product size W: 120, D: 40, H: 45

Packaging W: 123, D: 48, H: 53

Volume 0,30 m³

Net weight 9,0 kg

Gross weight 12,0 kg



Item no. 556

Assembled product

Dimensions	Width	Depth	Height
Seat	112	40	45

Klupa Bench 160

Base Solid Oak, Seat Webbing

Version: 5-2-2024

Basic info

Design Salih Teskeredžić

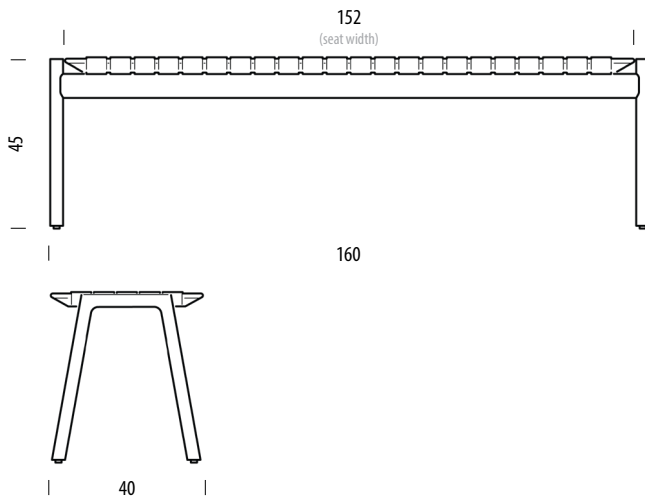
Product size W: 160, D: 40, H: 45

Packaging W: 163, D: 48, H: 53

Volume 0,41 m³

Net weight 11,4 kg

Gross weight 14,4 kg



Item no. 557

Assembled product

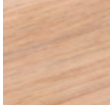
Dimensions	Width	Depth	Height
Seat	152	40	45

Klupa Bench

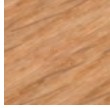
Available materials

Version: 5-2-2024

Body | Solid oak



Oiled
1015
White oil



Oiled
1505
Natural oil

Seat | Cotton webbing



2001
White



4555
Black