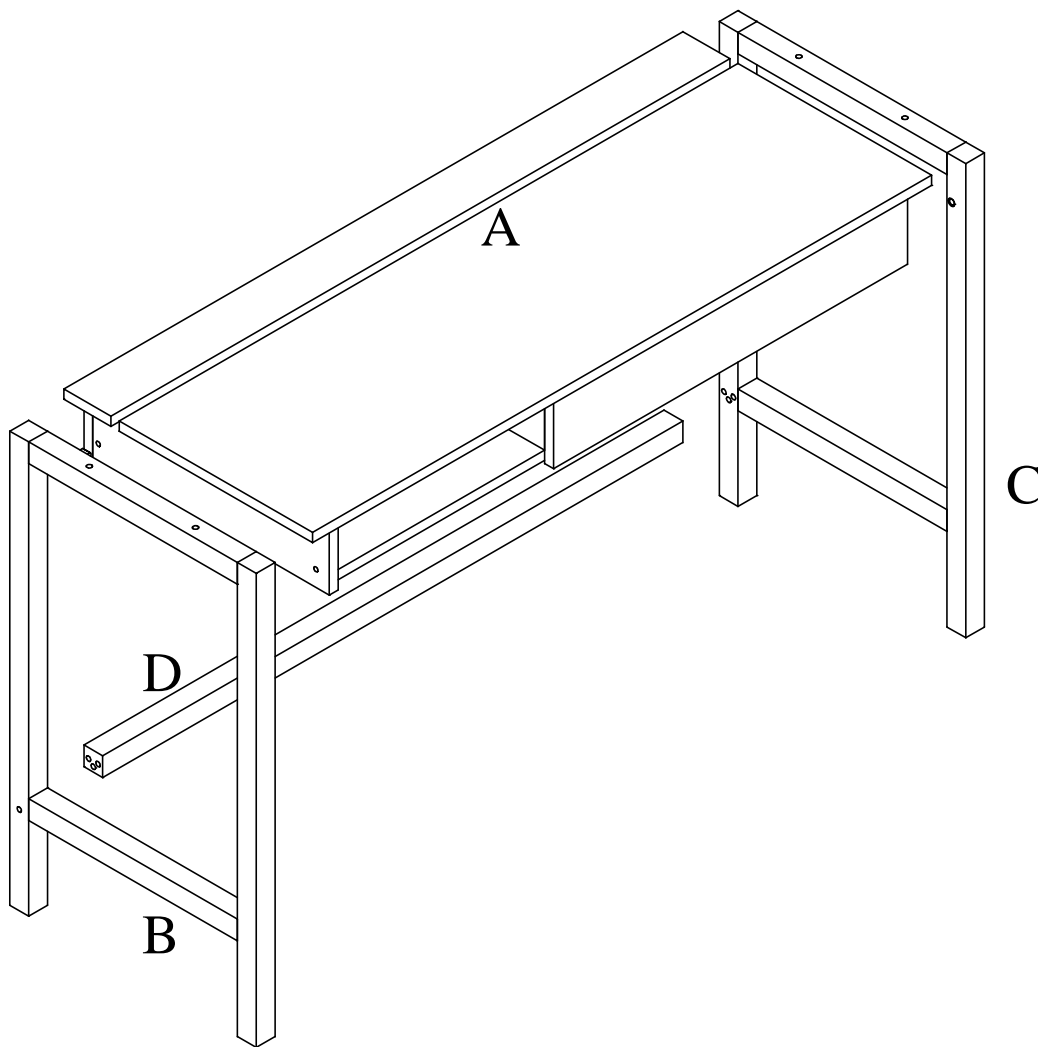


Reference no:

Designed by

Leonhard Pfeifer



	A1	A2	A3	A4
	 ø8x35 QTY ×4	 M6x45 ×4	 M6x65/ ø10x13 ×2	 ×2
A5	A6	A7		
 20mm QTY ×4	 4mm ×1	 M6x30 ×3		

ENG - In case of any quality issues, contact your local dealer and always mention item reference No.

FR - En cas de problèmes de qualité, contactez votre revendeur local et mentionnez toujours la référence de l'article.

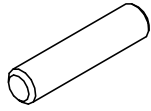
IT - In caso di eventuali problemi di qualità, contattare il rivenditore locale e citare sempre punto di riferimento No.

ES - En caso de problemas de calidad, póngase en contacto con su distribuidor local y mencione siempre la referencia del artículo.

DE - Wenn Sie Qualitätsprobleme haben wenden Sie sich bitte an ihren örtlichen Händler und erwähnen Sie immer die Artikelnummer.

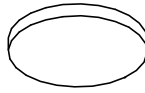
Step 1

A1



∅8x35

A5

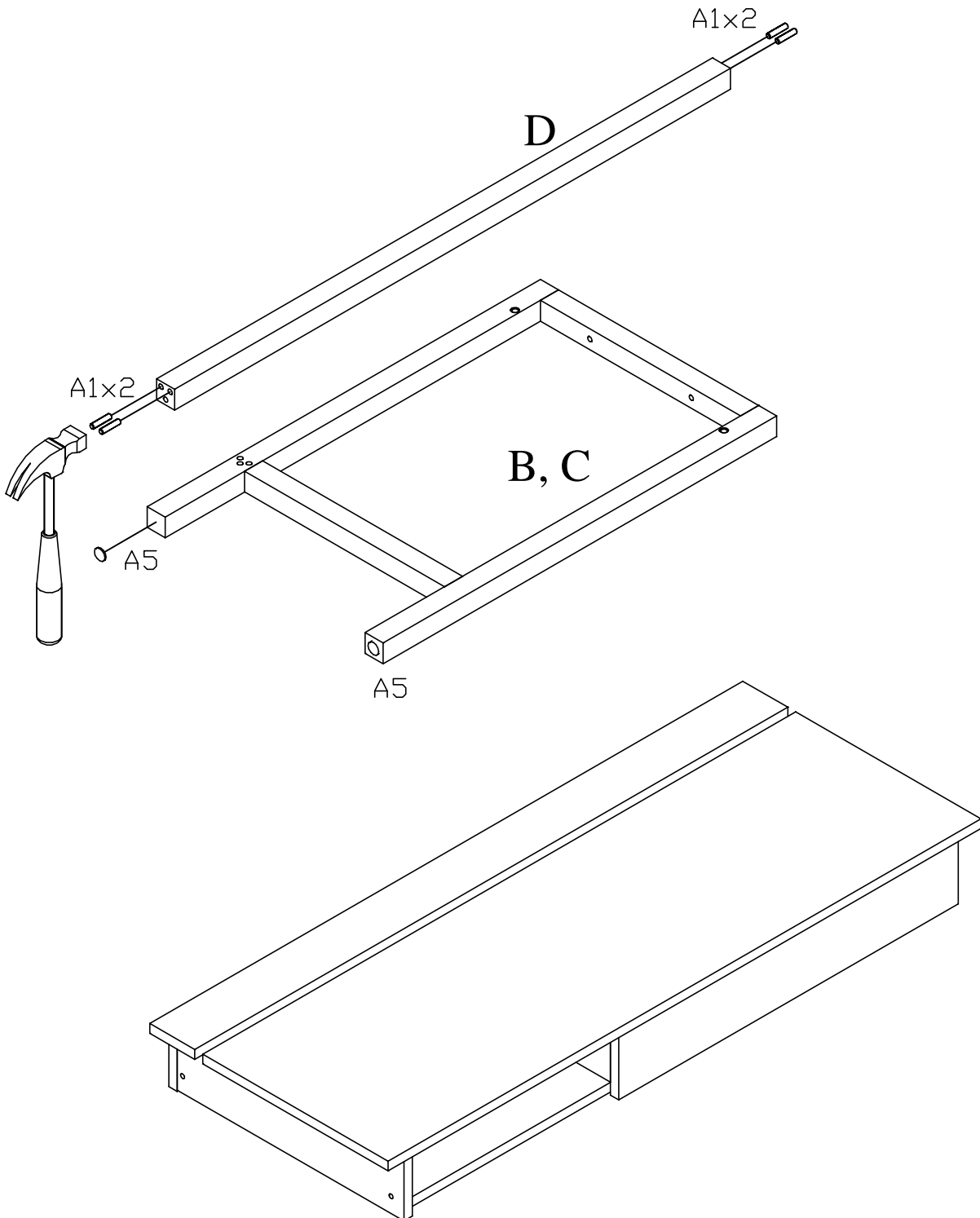


20mm

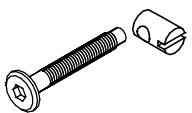
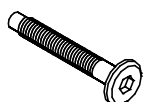
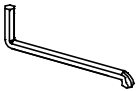

QTY

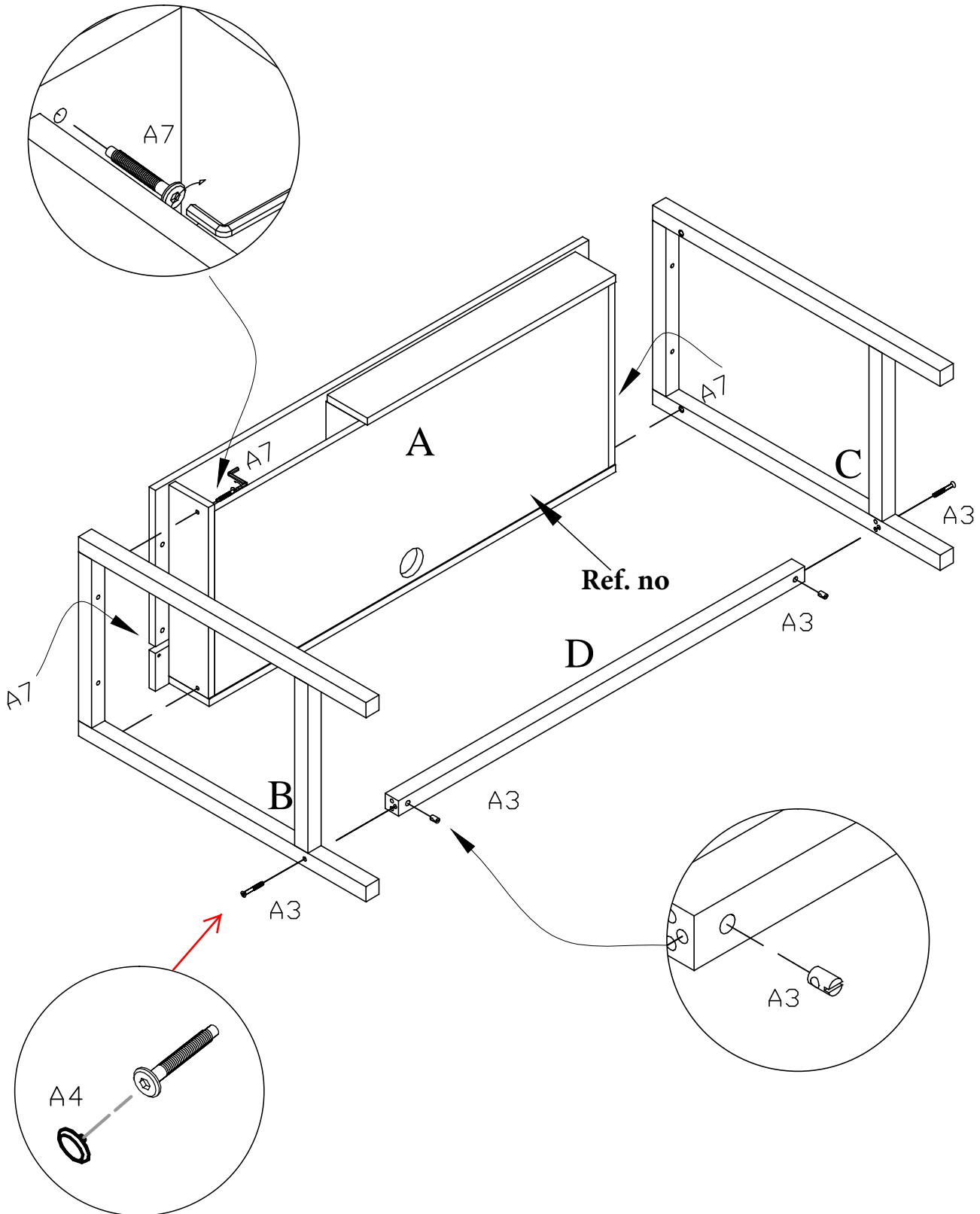
x4

x4


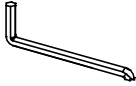


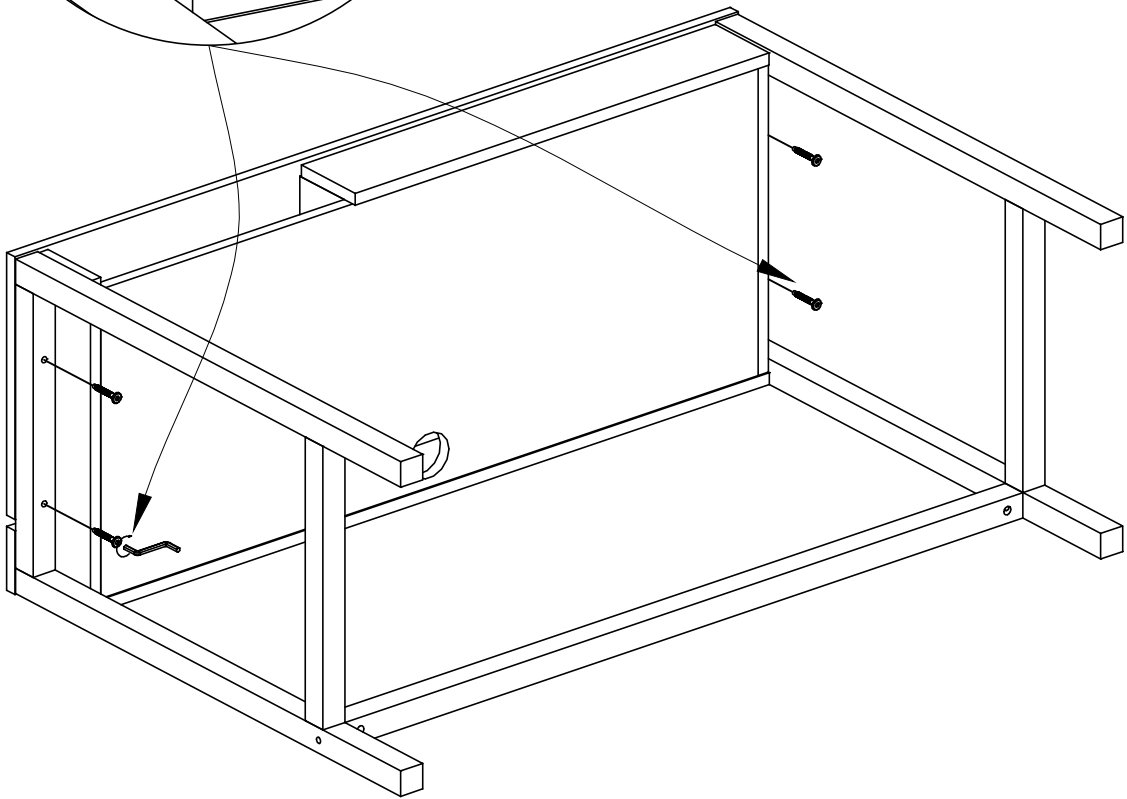
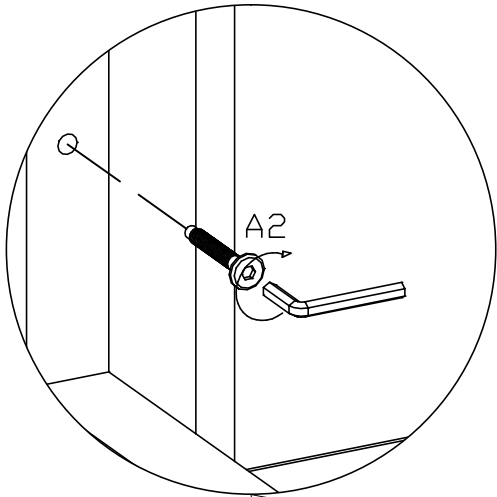
Step 2

	A3	A7	A6	A4
				
	M6x65/ Ø10x13	M6x30	4mm	
QTY	x2	x3	x1	x2

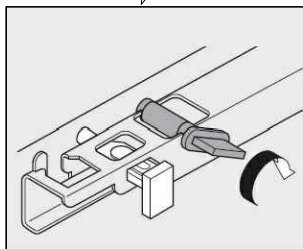
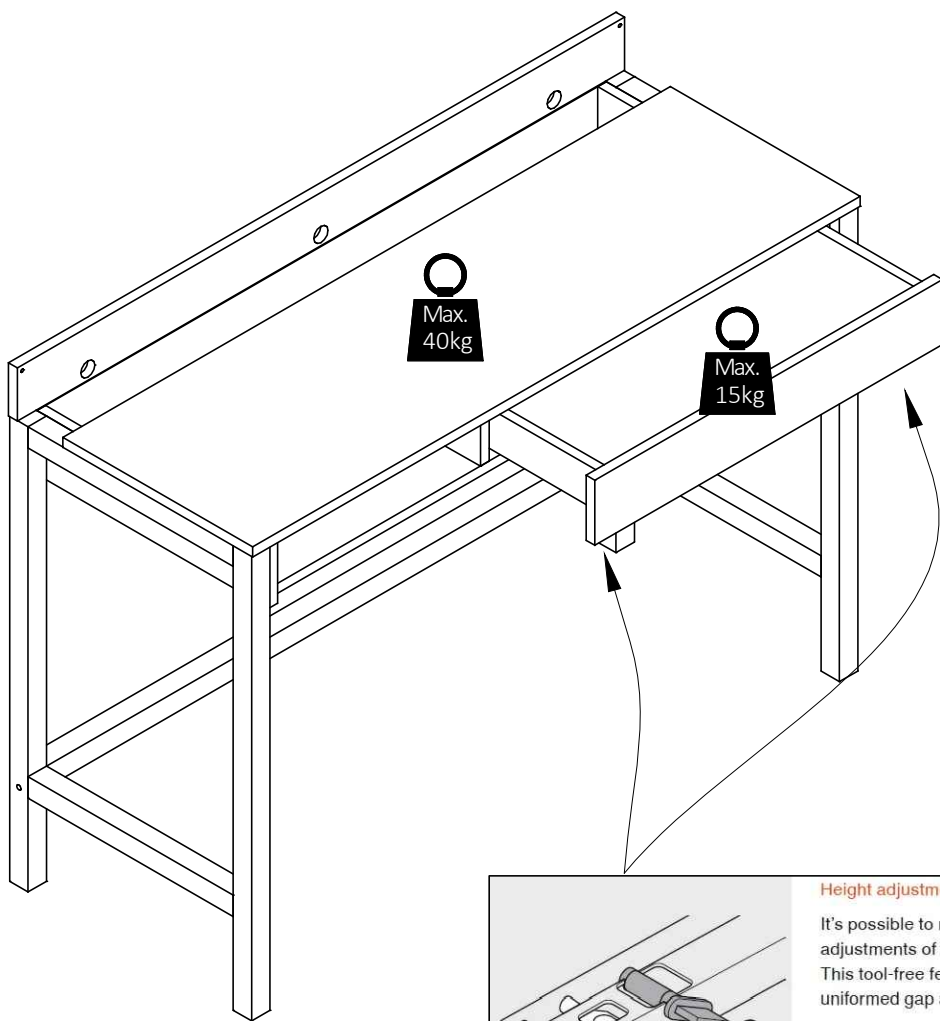


Step 3

	A2	A6	
			
	M6x45	4mm	
QTY	x4	x1	

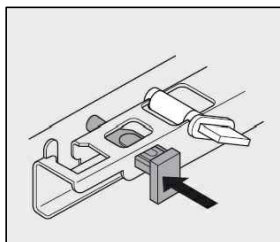


Step 4



Height adjustment

It's possible to make height adjustments of up to +2.5 mm. This tool-free feature produces uniform gap alignment.



Lift-off stop

The lift-off stop prevents drawers and pull-outs from accidentally lifting off the runner. If required, the lift-off stop can be released by pulling a lever.