

Audo

COPENHAGEN



OFFSET SOFA
Designed by *Norm Architects*

OFFSET SOFA
Designed by *Norm Architects*

One-, two- and three-seater sofa set on a wooden frame with feather- and foam-filled upholstered cushions.



PRODUCT OPTIONS

1 Seater



2 Seater



3 Seater



Spec options

Available in fabrics from our upholstery programme. Standard lead times apply.

For custom upholstery, please refer to the guiding textile/leather consumption:
COM: 0,54 m / 0,594 yds
COL: 0,45 m² / 4,8465 sqft

Prices excl. custom upholstery are equal to *Price Category 1 Textile* or *Leather*. Contact Sales support for approval of custom upholstery and to place your order.

The above textile consumption is only valid for textile rolls with a width equal to or greater than 140 cm. For smaller textile rolls, please contact Sales Support for guidance. For textile with pattern, please expect a higher usage for correct pattern fitting. Please contact Sales Support for guidance.

PRODUCT TYPE
Sofa

COLLI
1

ENVIRONMENT
Indoor

DIMENSIONS

1 Seater
H: 75 cm / 29,5"
SH: 38 cm / 14,9"
W: 94 cm / 37"
D: 90 cm / 35,4"

2 Seater
H: 75 cm / 29,5"
SH: 38 cm / 14,9"
W: 178 cm / 70,1"
D: 90 cm / 35,4"

3 Seater
H: 75 cm / 29,5"
SH: 38 cm / 14,9"
W: 228 cm / 89,8"
D: 90 cm / 35,4"

PRODUCTION PROCESS

The seaters are constructed with a structural frame made from pine, plywood and MDF. Seat consists of a double foam layer with no-zag springs. Back cushions are made with a foam core, surrounded by a casing with 50% feathers / 50% foam granulate. Armrest cushions are made from 50% feathers / 50% foam granulate.

TECHNICAL SPECIFICATIONS

COLOUR

Seat
Dependent upon selected upholstery

Glides
Black (RAL 9005)

MATERIALS

Foam seat
HR Foam, (30 kg / 120 N)

Armrest and back
Inner layer - 40 kg / 400 N
Outer layer - 18 kg / 160 N

Cushion
50 % feather and 50 % foam granulate

Construction
Pine, plywood, MDF, steel (spring) and upholstery

WEIGHT

1 Seater: 44 kg / 97 lb
2 Seater: 73 kg / 160,9 lb
3 Seater: 87 kg / 191,8 lb

TEST
N / A

CERTIFICATIONS
TSCA title VI compliant

Declare.

PACKAGING TYPE
Brown box

PACKAGING MEASUREMENTS
(H × W × D)

1 Seater
61 cm × 98 cm × 92 cm /
24" × 38,2" × 36,2"

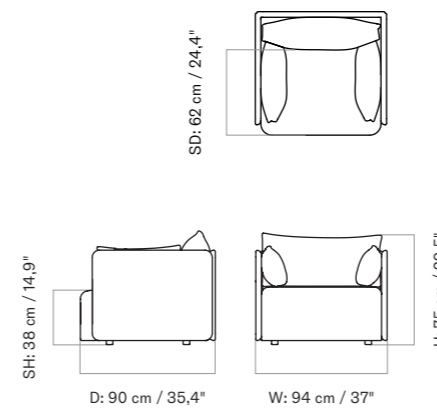
2 Seater
61 cm × 183 cm × 92 cm /
24" × 72,0" × 36,2"

3 Seater
61 cm × 231 cm × 92 cm /
24" × 90,9" × 36,2"

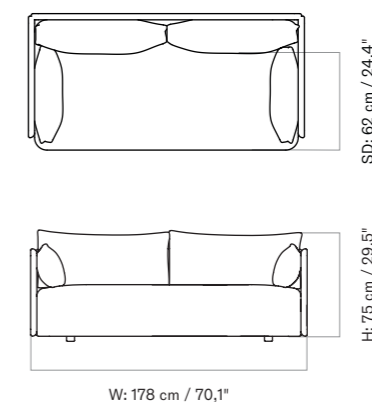
MATERIALS & MAINTENANCE

Please visit audocph.com for materials, care and maintenance instructions.

1 SEATER



2 SEATER



3 SEATER

