



PRODUCT SHEET

Chambers Chandelier
by Søren Rose Studio

Chambers Chandelier Ø76

BY SØREN ROSE STUDIO

Brass or powder coated steel chandelier with five angled arms and black textile cord. Available in two sizes.

PRODUCT OPTIONS



Black
1991539



Brass
1991839

Chambers Chandelier Ø76

BY SØREN ROSE STUDIO

TECHNICAL SPECIFICATIONS

PRODUCT TYPE
Chandelier

WEIGHT
1,45 kg / 3,2 lb

CORD MATERIAL AND COLOUR
Textile, black.

COLLI
1

VOLTAGE
CE: 220-230 V
US: 110-130 V

CORD LENGTH
500 cm / 196,9"

ENVIRONMENT
Indoor

LIGHT SOURCE & ENERGY EFFICIENCY CLASS
E27 (CE) - 5 pcs
E26 (US) - 5 pcs

CLASSIFICATION
IP20, Class II

DIMENSIONS
H: 15 cm / 5,9"
Ø: 76 cm / 29,9"

Max 60 Watt

CERTIFICATIONS
CE certified, tests can be obtained upon request.

COLOURS
Brass
Black (RAL 9005)

LIGHT SPECIFICATION
Bulbs not included.

PACKAGING TYPE
Brown box

PRODUCTION PROCESS
The arms and connector are made from bent solid brass or steel rod. The centre fitting is cast in brass and the sockets are painted ceramic. Brass is lightly varnished to maintain the lustre of the material.

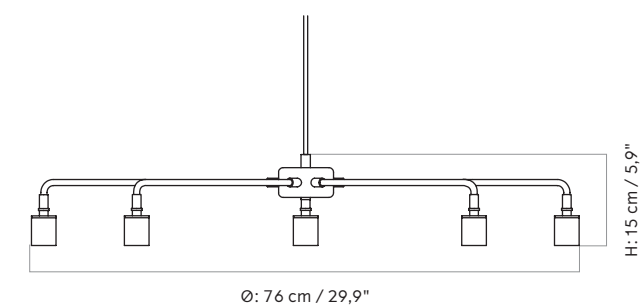
DIMMER
No. The lamp can be connected to a dimmer system.

PACKAGING MEASUREMENTS (H x W x D)
85 cm x 81 cm x 21 cm / 33,4" x 31,8" x 8,2"

MATERIALS
Powder coated steel (fine texture, matte) or solid brass (matte polished).

CANOPY
Yes, powder coated steel, black
Ø: 12 cm / 4,7"
H: 2,5 cm / 0,9"

MATERIALS & MAINTENANCE
Please visit menuspace.com for materials and care and maintenance instructions.



Chambers Chandelier Ø96

BY SØREN ROSE STUDIO

Brass or powder coated steel chandelier with five angled arms and black textile cord. Available in two sizes.

PRODUCT OPTIONS



Black
1990539

Chambers Chandelier Ø96

BY SØREN ROSE STUDIO

TECHNICAL SPECIFICATIONS

PRODUCT TYPE
Chandelier

WEIGHT
1,55 kg / 3,4 lb

CORD MATERIAL AND COLOUR
Textile, black

COLLI
1

VOLTAGE
CE: 220-230 V
US: 110-130 V

CORD LENGTH
500 cm / 196,9"

ENVIRONMENT
Indoor

**LIGHT SOURCE &
ENERGY EFFICIENCY CLASS**
E27 (CE) - 5 pcs
E26 (US) - 5 pcs

CLASSIFICATION
IP20, Class II

DIMENSIONS
H: 15 cm / 5,9"
Ø: 96 cm / 37,8"

Max 60 Watt

CERTIFICATIONS
CE certified, tests can be obtained upon request.

COLOURS
Black (RAL 9005)

LIGHT SPECIFICATION
Bulbs not included.

PACKAGING TYPE
Gift box

PRODUCTION PROCESS

The arms and connector are made from bent solid brass or steel rods. The centre fitting is made of sand-cast brass and the sockets from painted ceramic. The brass is lightly varnished to maintain its natural lustre.

DIMMER
No. The lamp can be connected to a dimmer system.

CANOPY
Yes, powder coated steel, black
Ø: 12 cm / 4,7"
H: 2,5 cm / 0,9"

PACKAGING MEASUREMENTS (H x W x D)
102,5 cm x 97 cm x 21 cm / 40,3" x 38" x 8,2"

MATERIALS

Powder coated steel (fine texture, matte)
or solid brass (matte polished).

MATERIALS & MAINTENANCE
Please visit menuspace.com for materials and care and maintenance instructions.

