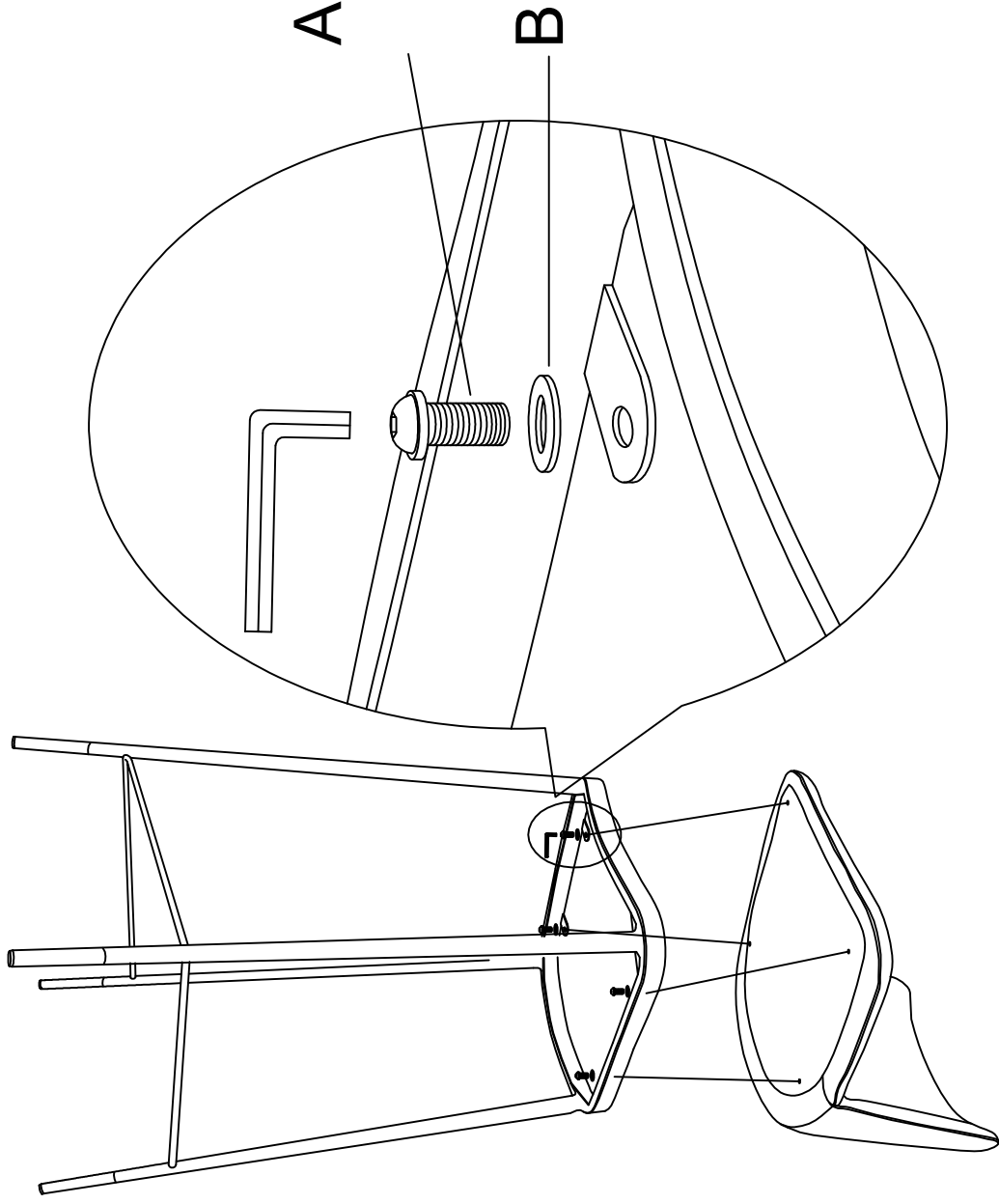


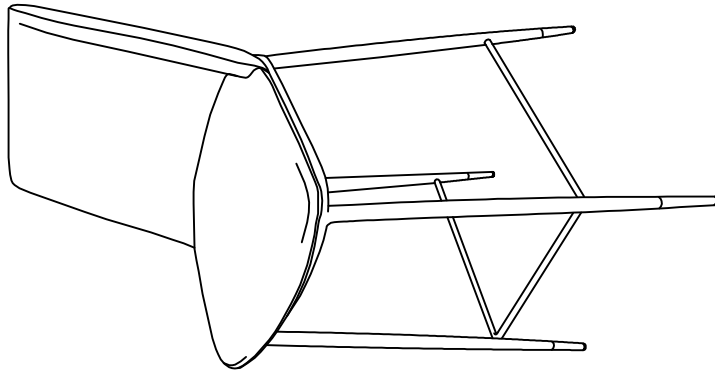


Step:1



A		x4
B		x4

Finish



0119055-C

