

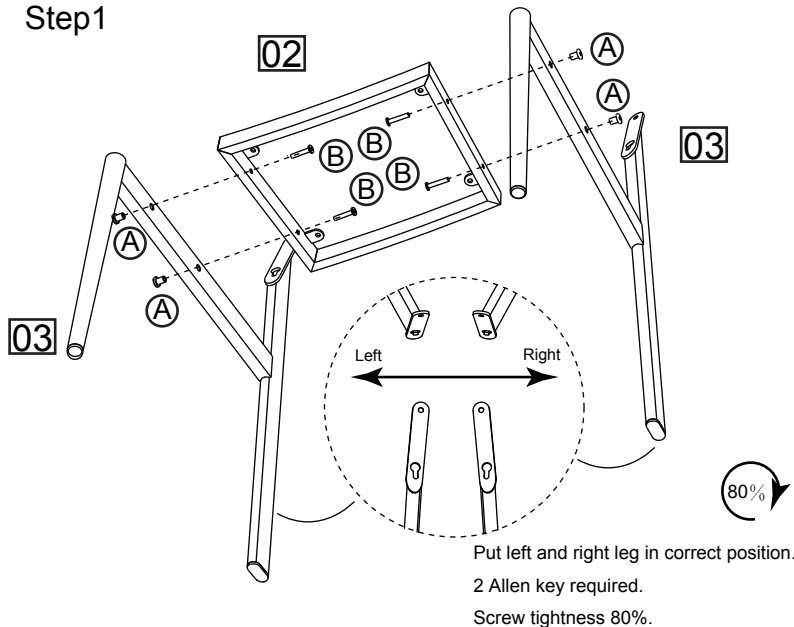
DINING CHAIR SPIKE

ZUIVER^o

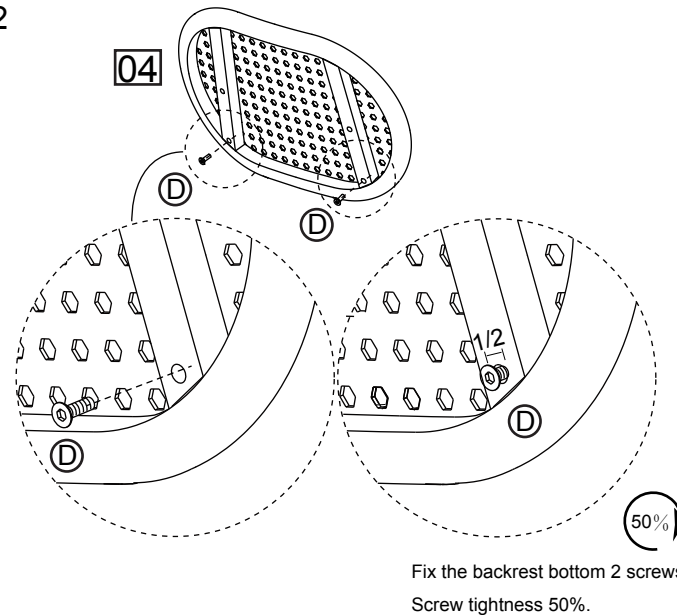
COMPONENT PARTS

FITTINGS

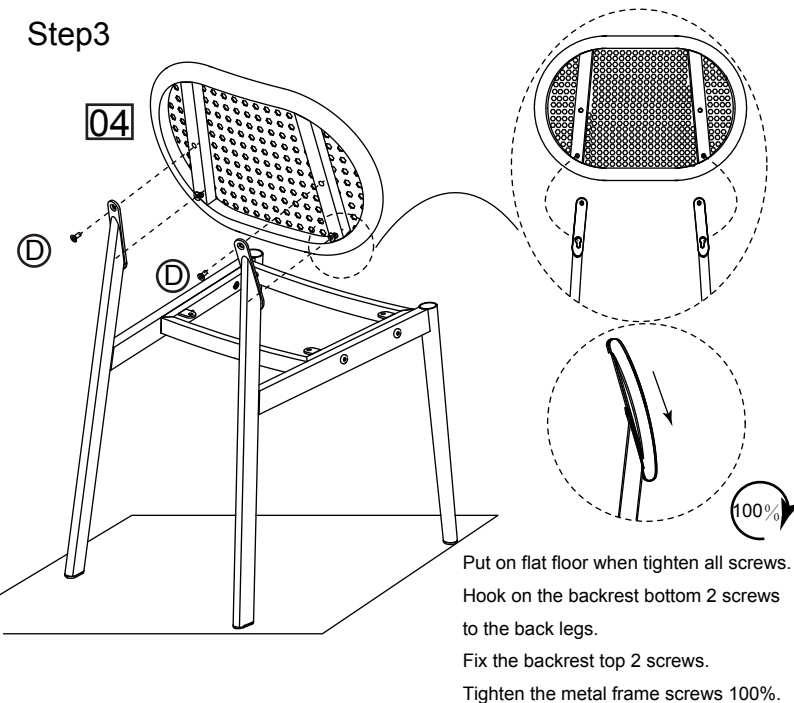
Step1



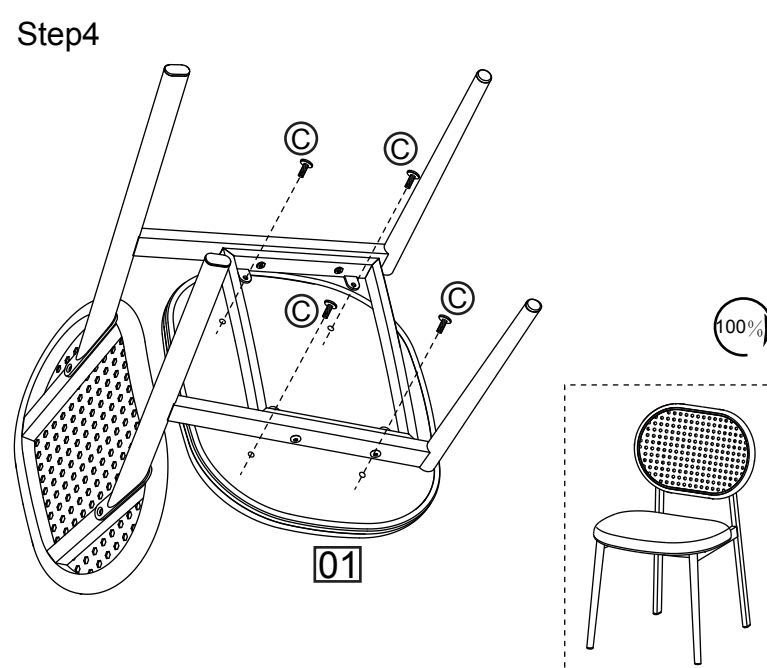
Step2


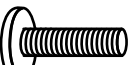
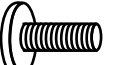
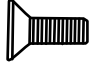


Step3



Step4




(A)		×4 (M6×12MM×φ9MM)
(B)		×4 (M6×30MM)
(C)		×4 (M6×15MM)
(D)		×4 (M6×15MM)

COMPONENT CHECKLIST

PART	No.	Qty.	
Seat	01	1	<input type="checkbox"/>
Tray	02	1	<input type="checkbox"/>
Leg	03	2	<input type="checkbox"/>
Backrest	04	1	<input type="checkbox"/>

TOOLS REQUIRED

 ×2
Allen key (supplied)