





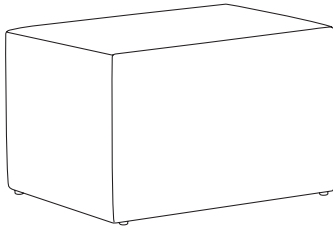
5 min



x3



x2



A x1



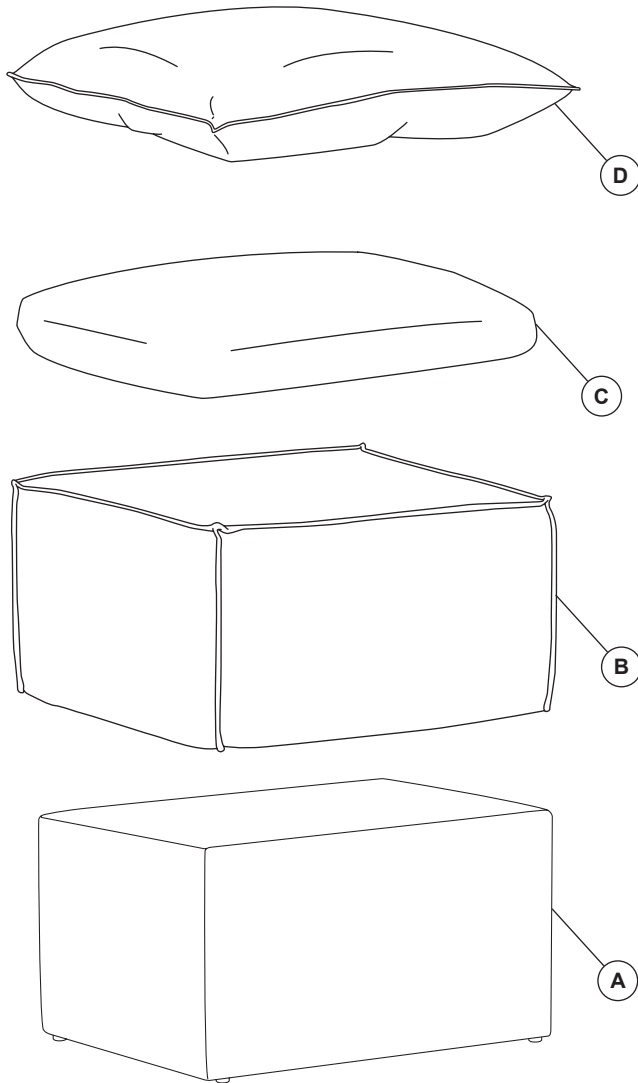
B x1



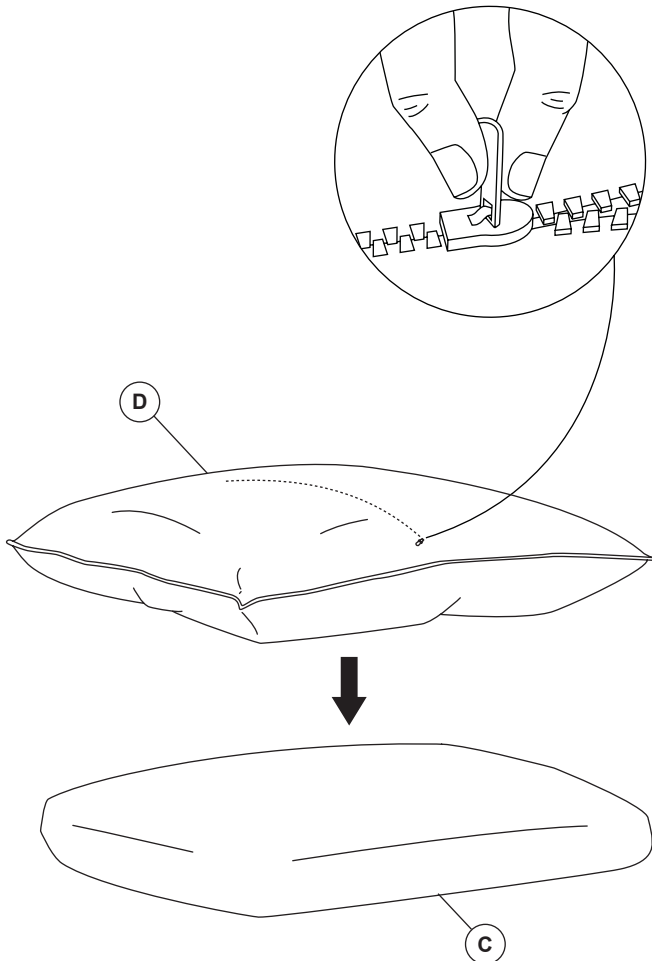
C x1



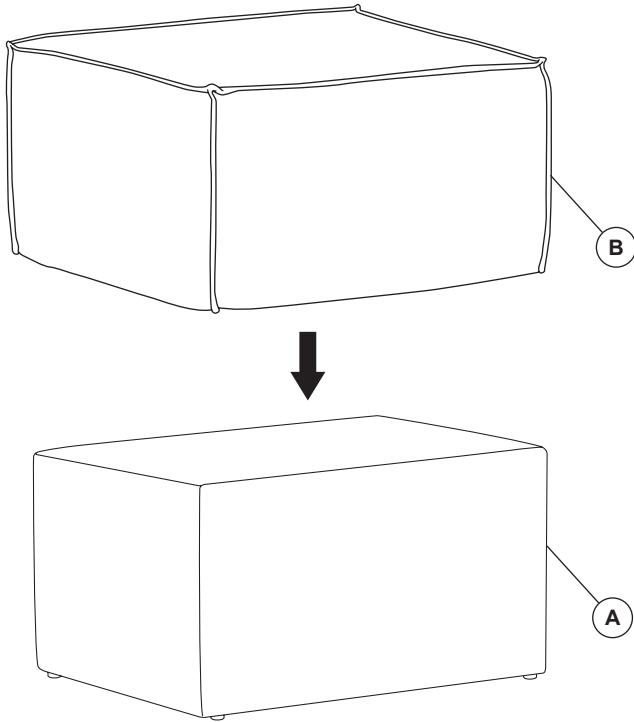
D x1



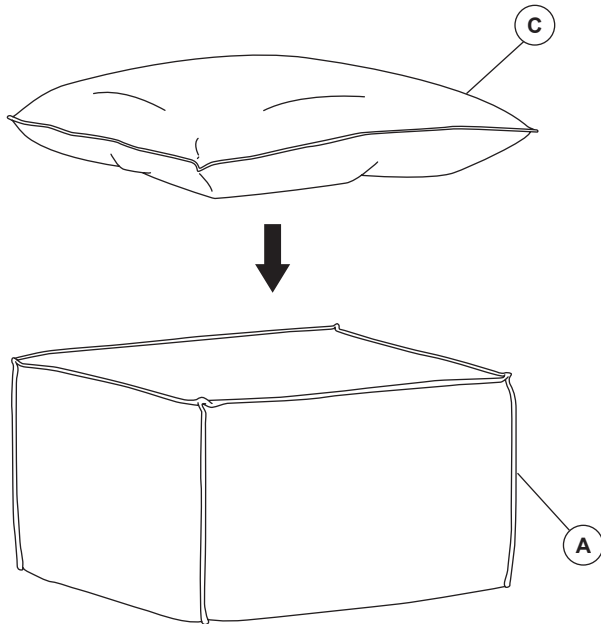
1



2



3





THAT'S ALL FOLKS

Share your style!

#KaveHome

