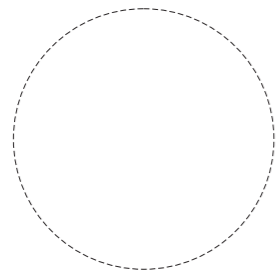


We attached the care tips and tricks for our most used materials so you can get to know your Gazzda product better and ensure it is a long-lasting part of your home.

If you are interested in additional material information, scan the QR code below and look for the materials of your chosen Gazzda product on www.gazzda.com



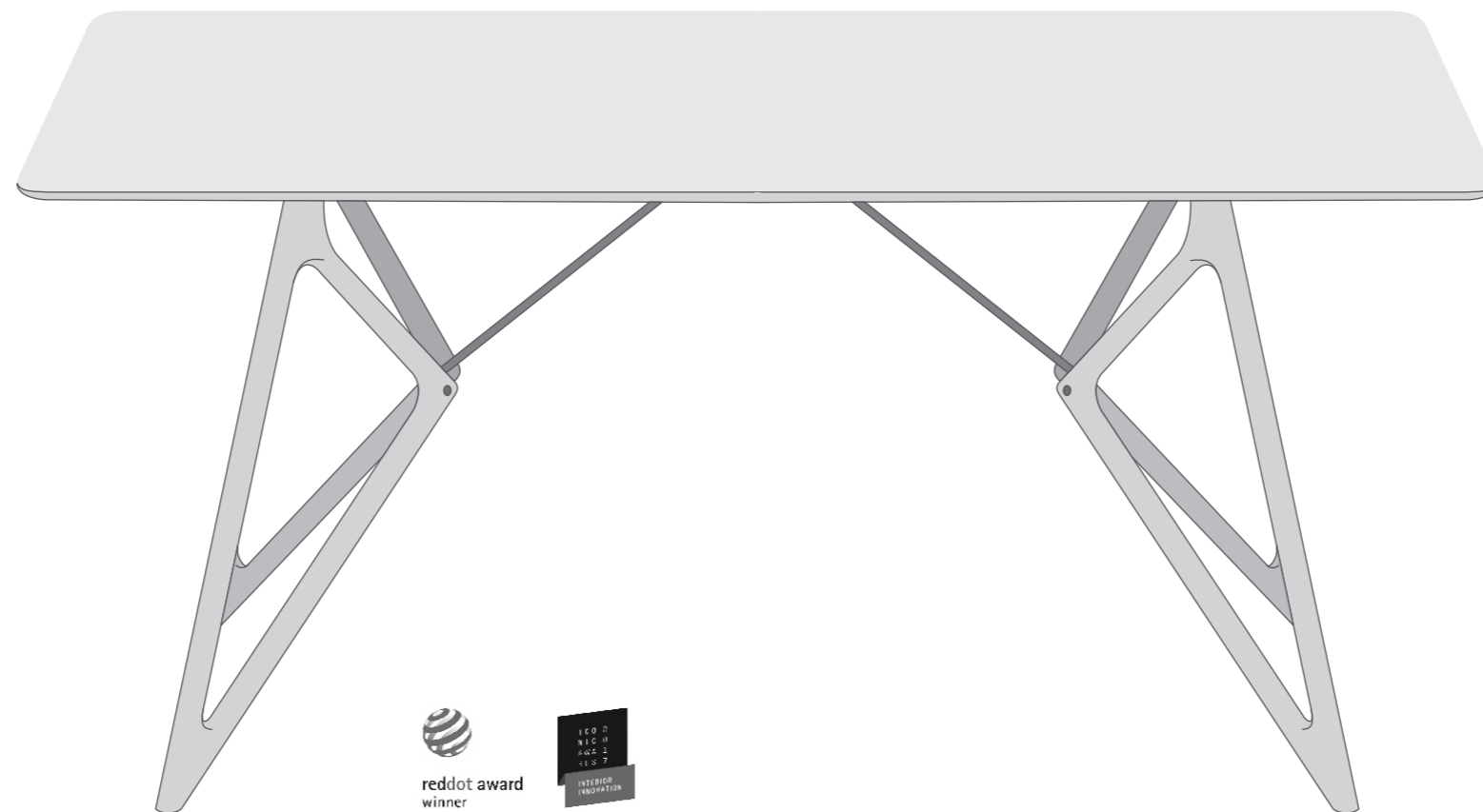
Quality control



Serial number

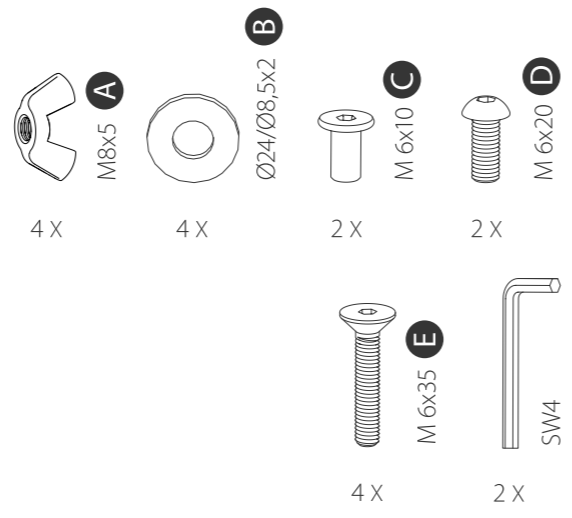
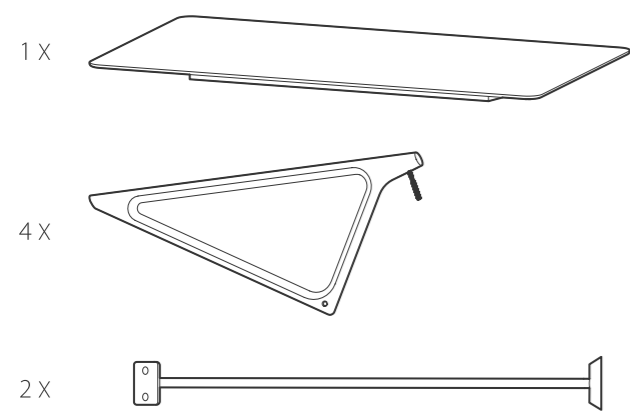
WARRANTY CERTIFICATE

This product comes with a two-year limited warranty. To be able to claim this limited warranty you need to follow the specific care and maintenance instructions that was provided with the product.
Made in Bosnia and Herzegovina

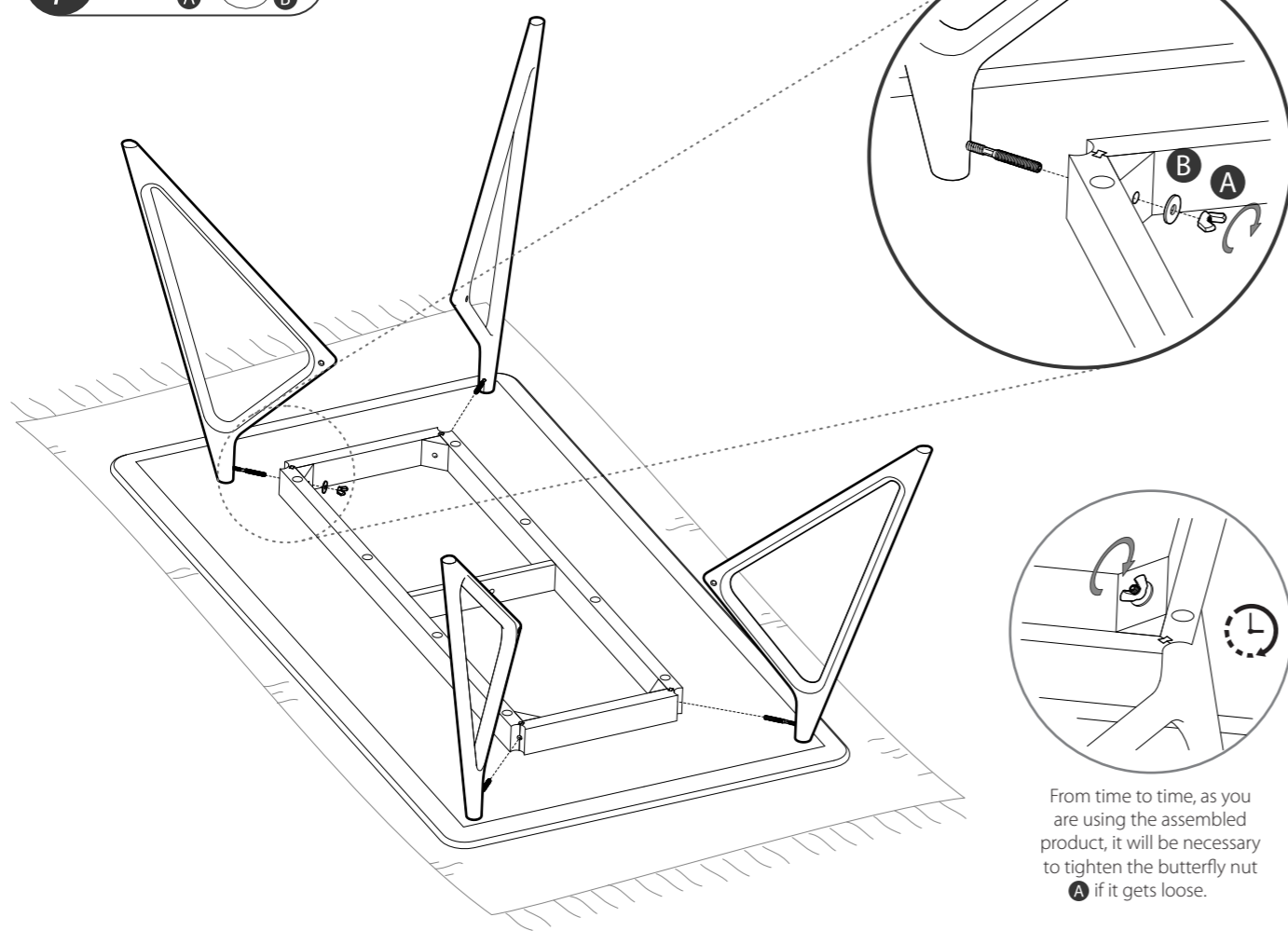


Hi there; you are just a few steps away from meeting your new Gazzda furniture piece. Follow the assembly steps pictured below and enjoy the final product!

Content of the box

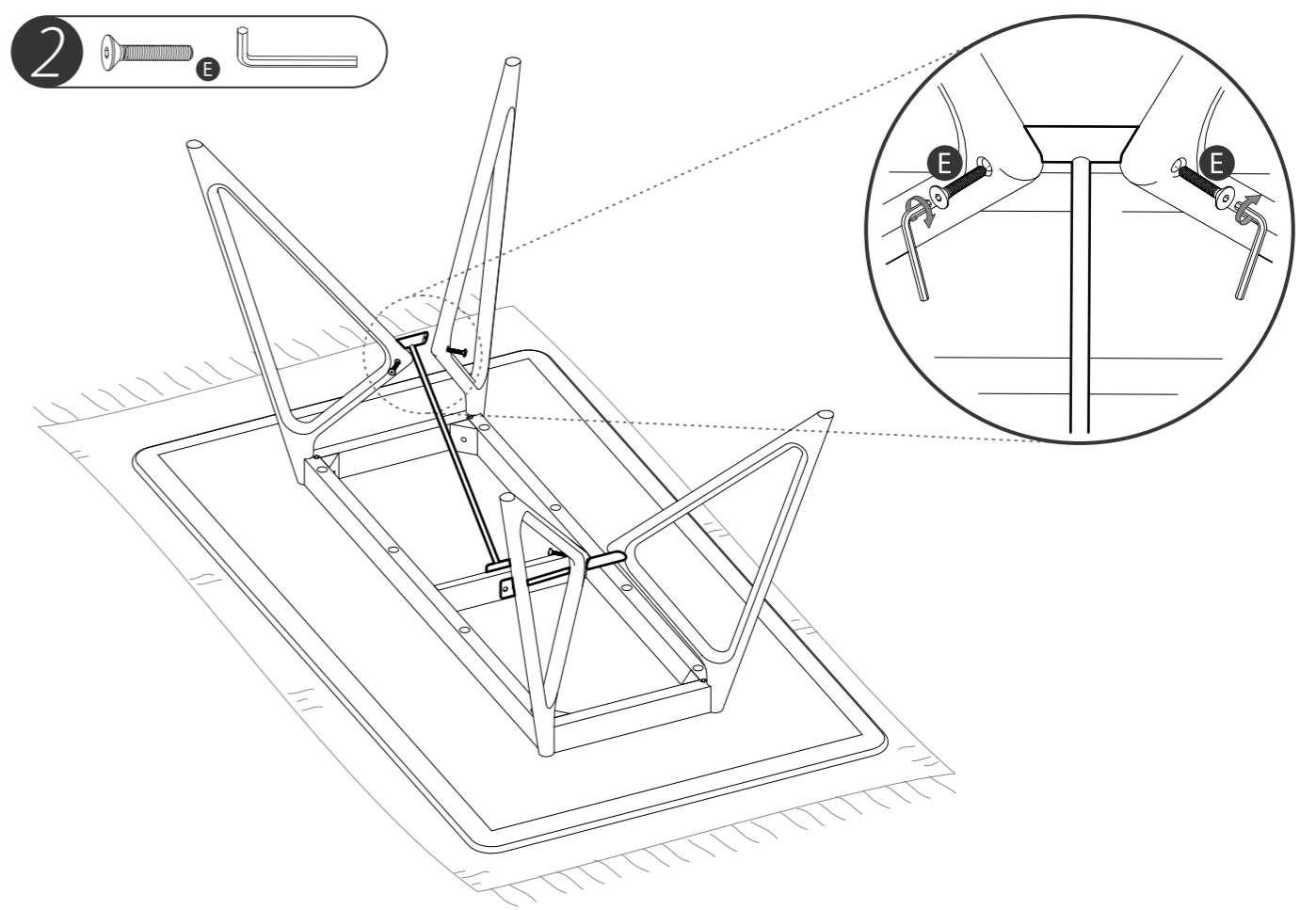


1



From time to time, as you are using the assembled product, it will be necessary to tighten the butterfly nut **A** if it gets loose.

2



3

