

Suumo Sideboard

Product Fact Sheet



Product description

Introducing Suumo – a versatile sideboard, ready to take up any challenge. Thanks to its universal shape and outstanding capacity, Suumo easily finds its place in both residential and industrial spaces. Getting organized has never been easier: four inner shelves can be placed on desired levels and rearrange easily, whenever needed. Its harmonious look and charmingly chubby form make Suumo a playful, yet functional piece to include in any corner of your home or office.

Available variants



Vulcano Black

—
SKU: FUR1331



Midnight Blue

—
SKU: FUR1332



Oak
Almond Grey

—
SKU: FUR1333

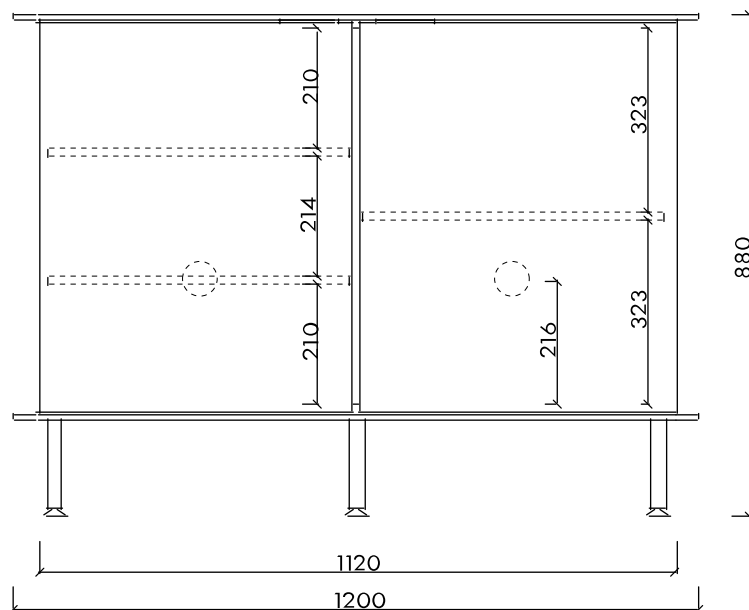
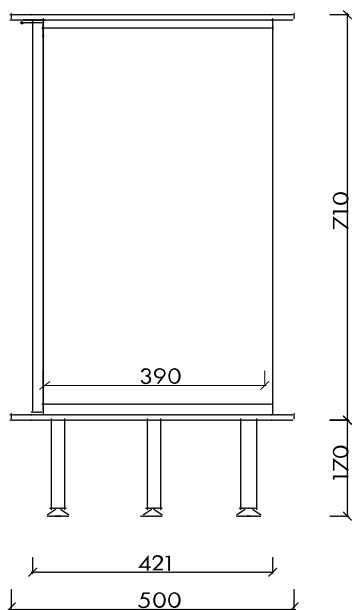
Designed by

noo.ma team / Anna Pietkun, Zuzanna
Muszalska, Damian Goliński

Category

Sideboards & Media Furniture

Dimensions (mm)



Materials

Body: melamine/particle board
Top & bottom: oak veneer / particle board
Legs: steel
Handles: aluminium

Finish

Body: matt melamine
Top & bottom: water-based matt lacquer
Legs: black powder coating
Handles: black powder coating

Environment

Indoor

Produced in

Poland

Additional information

- 4 effortlessly adjustable shelves
- 2 cable cutouts in the back
- fits industrial & residential spaces

Delivery time

Most likely we do not own stock of this product - it is usually made to order.
Regular delivery time for all board furniture, beds and tables is 4-7 weeks. All products from one order are being shipped together unless otherwise stated.

Shipping & Delivery

noo.ma most commonly uses FedEx as a forwarder for this product. The service includes a delivery in one or several packages directly to your home/office with carrying up stairs.

3D Models

[Click here to download 3D models](#)

Contact us

Need our help? Contact us at support@noo.ma.
Visit www.noo.ma for more information.

Packaging

This furniture is flat-packed to assure security during transportation, easy lifting and carrying as well as reduce its carbon footprint. The packaging itself is also eco-friendly with almost zero use of plastic.

Assembly

All of our furniture are preassembled which means that all the pieces are already ready to use. Final assembly is simply connecting these pieces together using special connectors placed in all the components. This process is easy and does not require any special tools.

Care Guide

[Click here to download Care Guide](#)