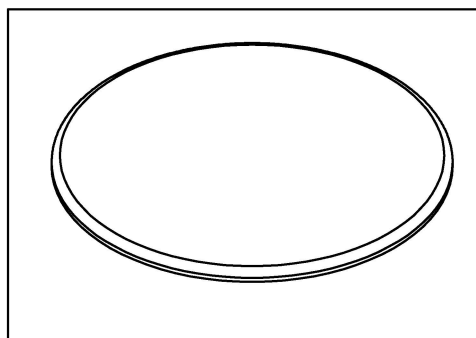
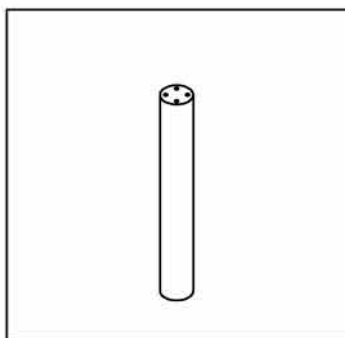


Kave® Cares

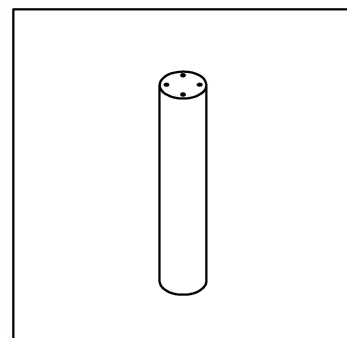
45 min	x2	x2	x1	x1



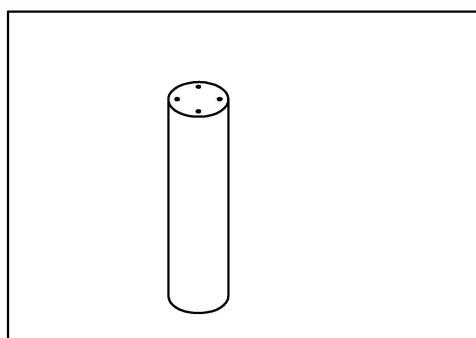
A x1



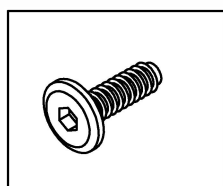
B x1



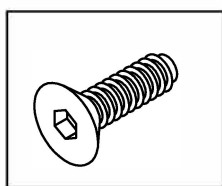
C x2



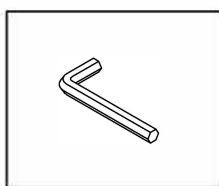
D x1



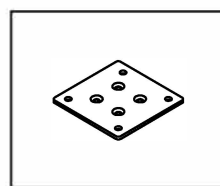
E x16
M8x25mm



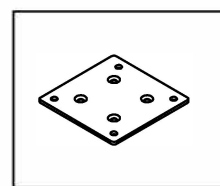
F x16
ø8 X 25mm



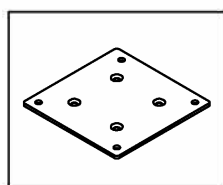
G x1
5mm



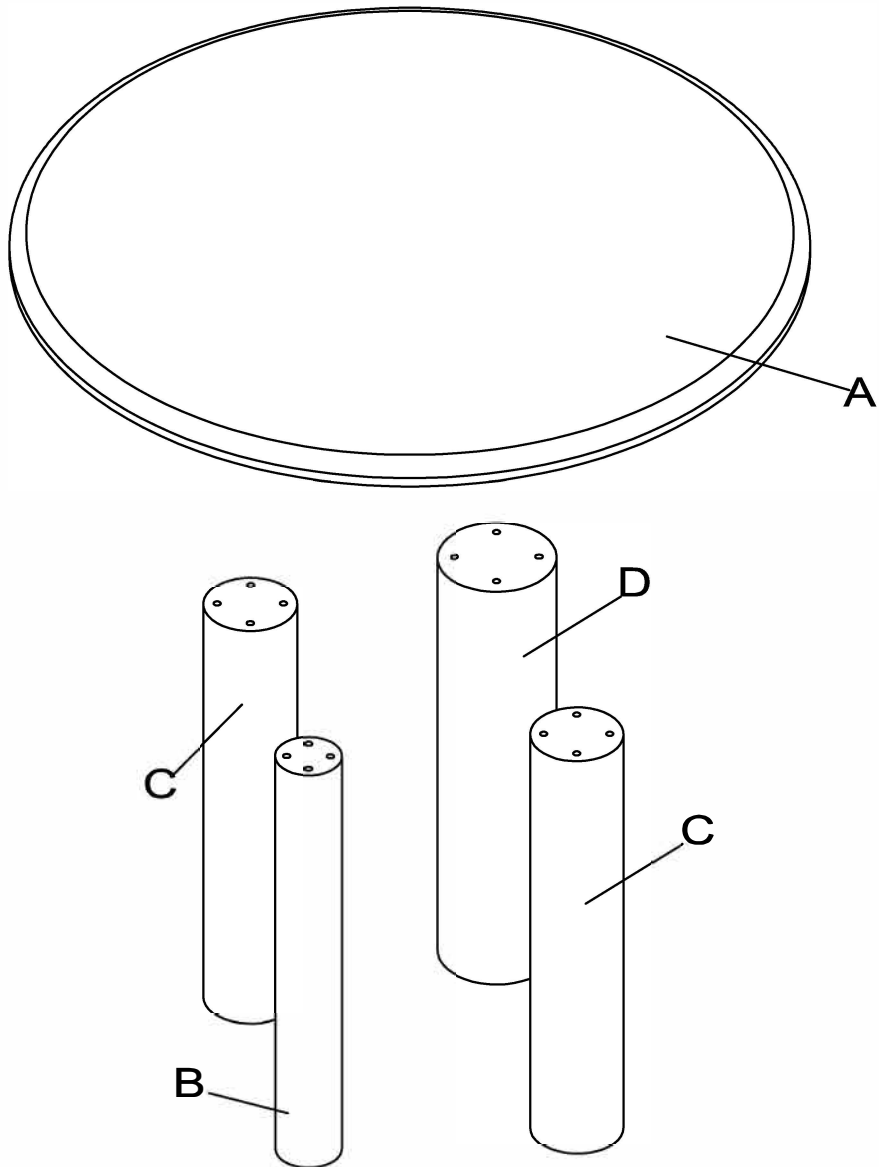
H x1
140x140*5mm



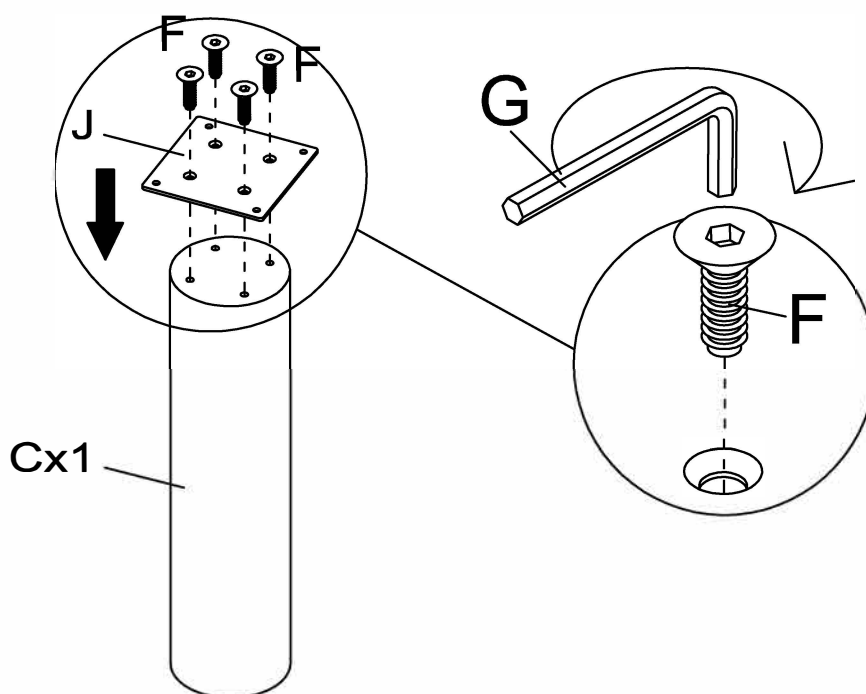
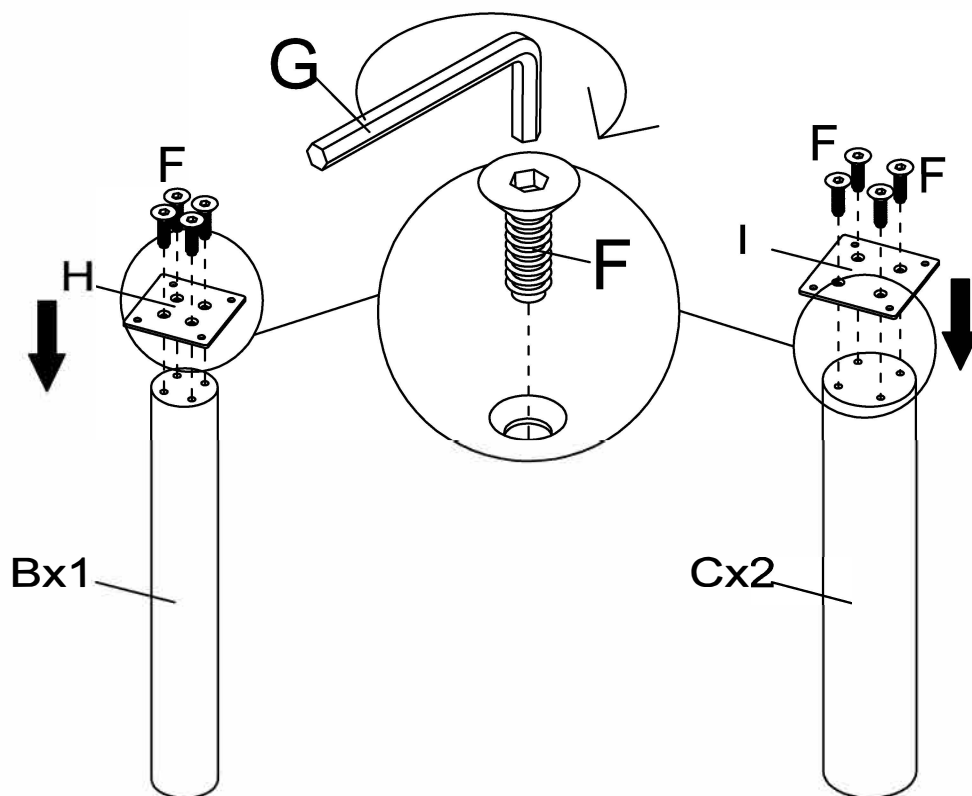
I x2
160x160*5mm



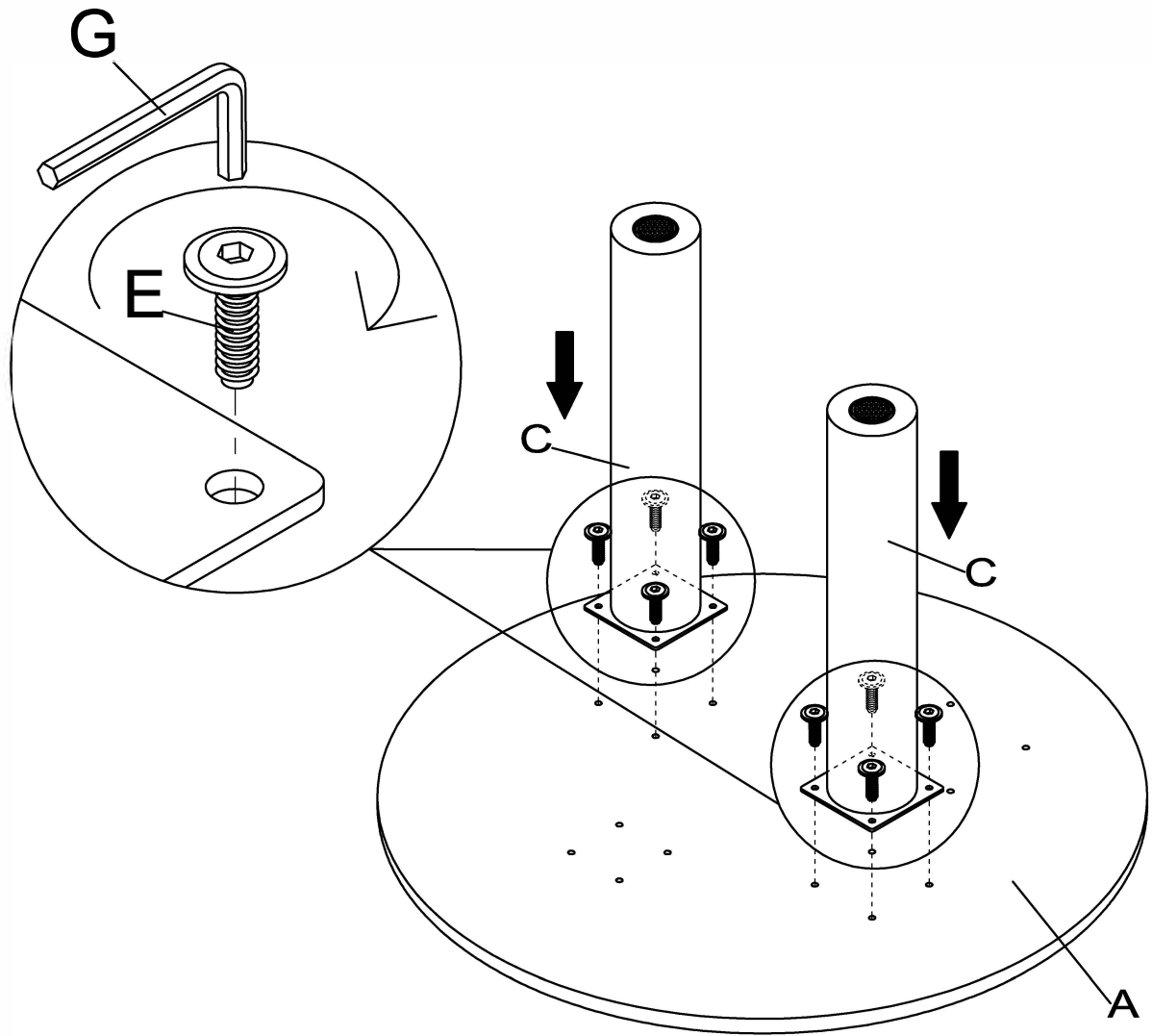
J x1
200x200*5mm



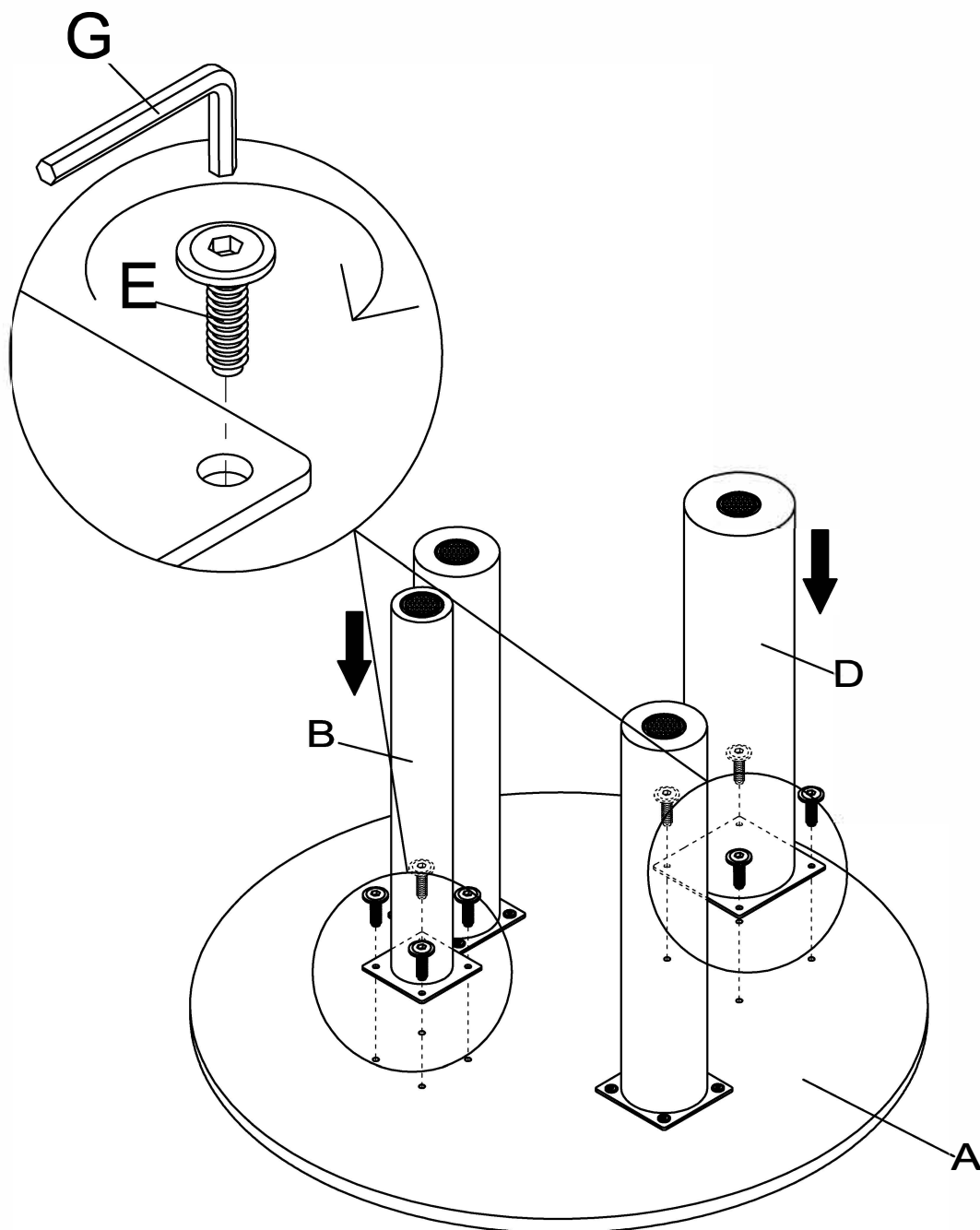
1



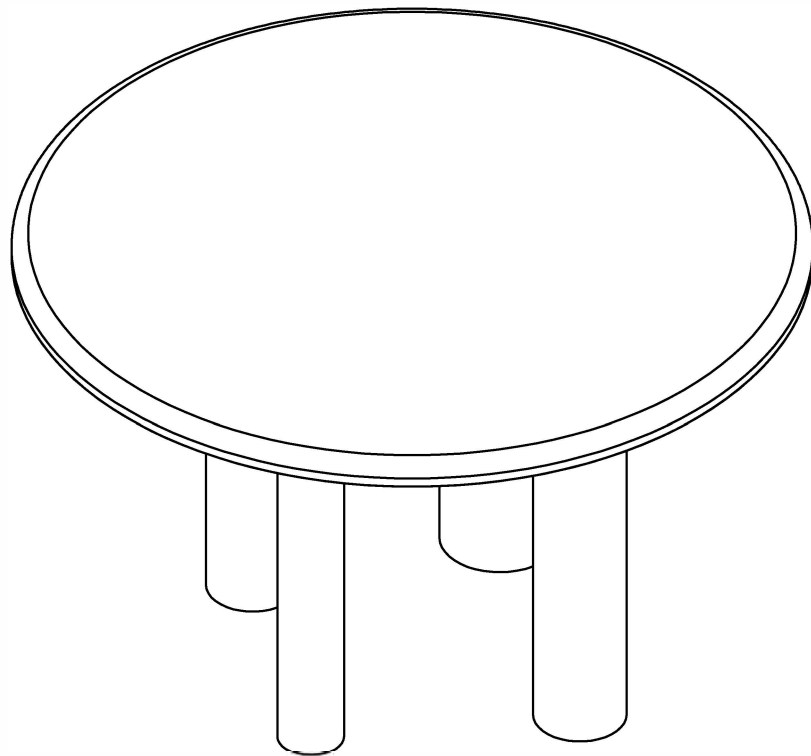
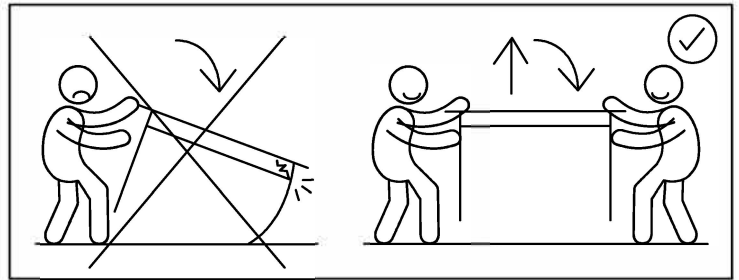
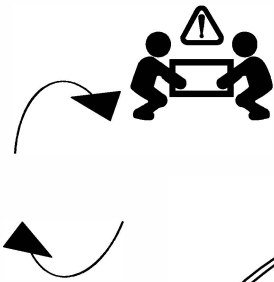
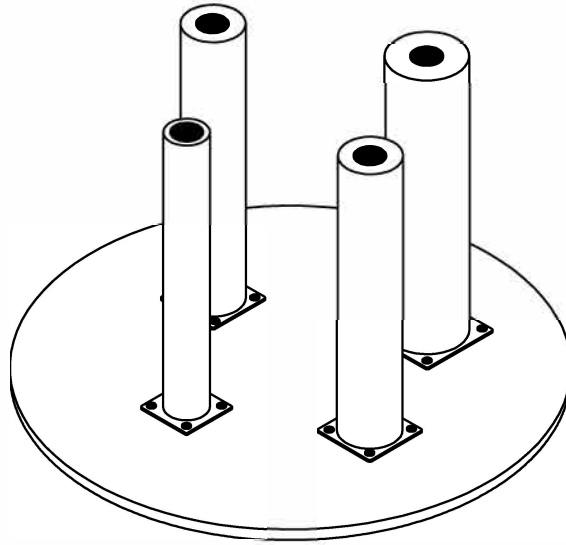
2



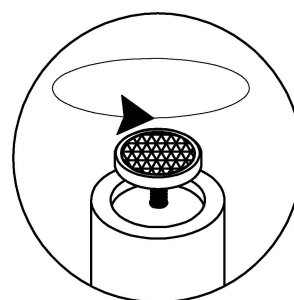
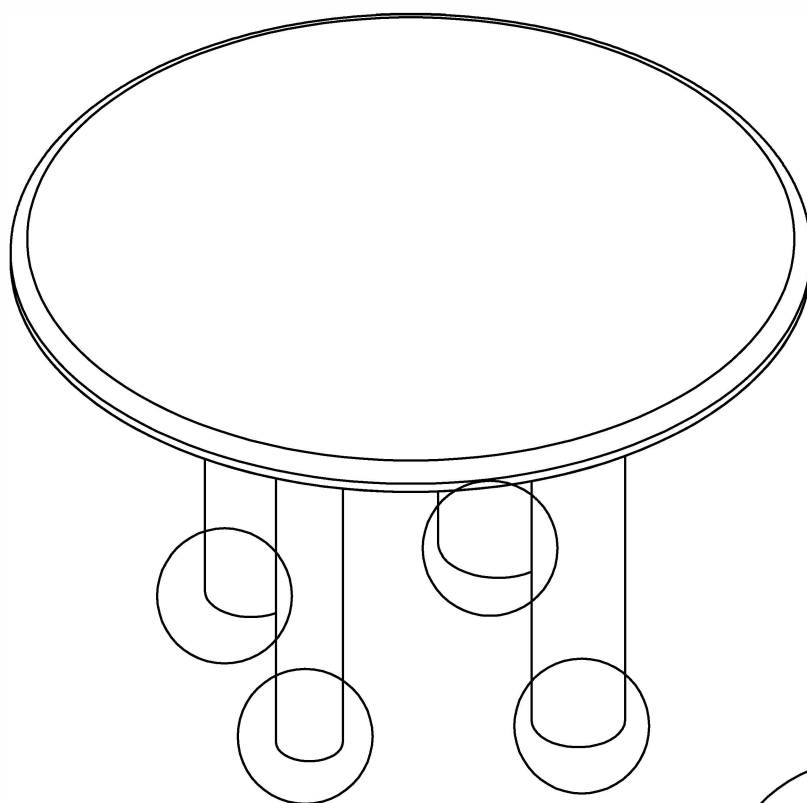
3



4



5





THAT'S ALL FOLKS

Share your style!

#KaveHome

