
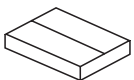



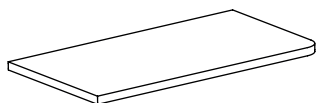
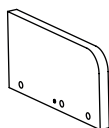


Kave® Cares

|   |   |   |   |  |
|---|---|---|---|--|
|  |  |  |  |  |
| 10 min  | x2  | x2  | x1  | x1   |



**A** x1



**B** x2



**C** x1



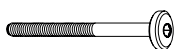
**D** x6  
ø25MM



**E** x6  
M6x34MM



**F** x6  
ø25MM



**G** x2  
M6x55MM



**H** x2  
ø15MM



**I** x1  
M6



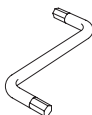
**J** x2  
ø15MM



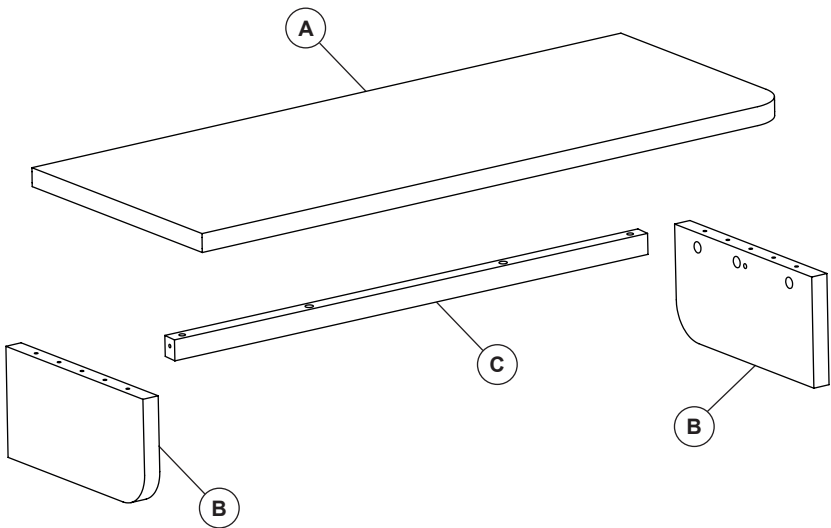
**K** x2  
M6x34MM



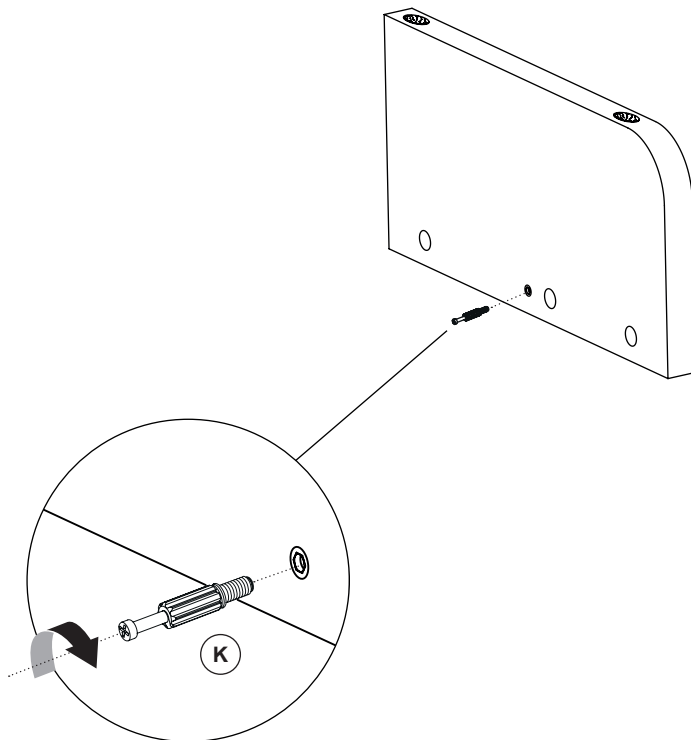
**L** x4  
8x30MM



**M** x1



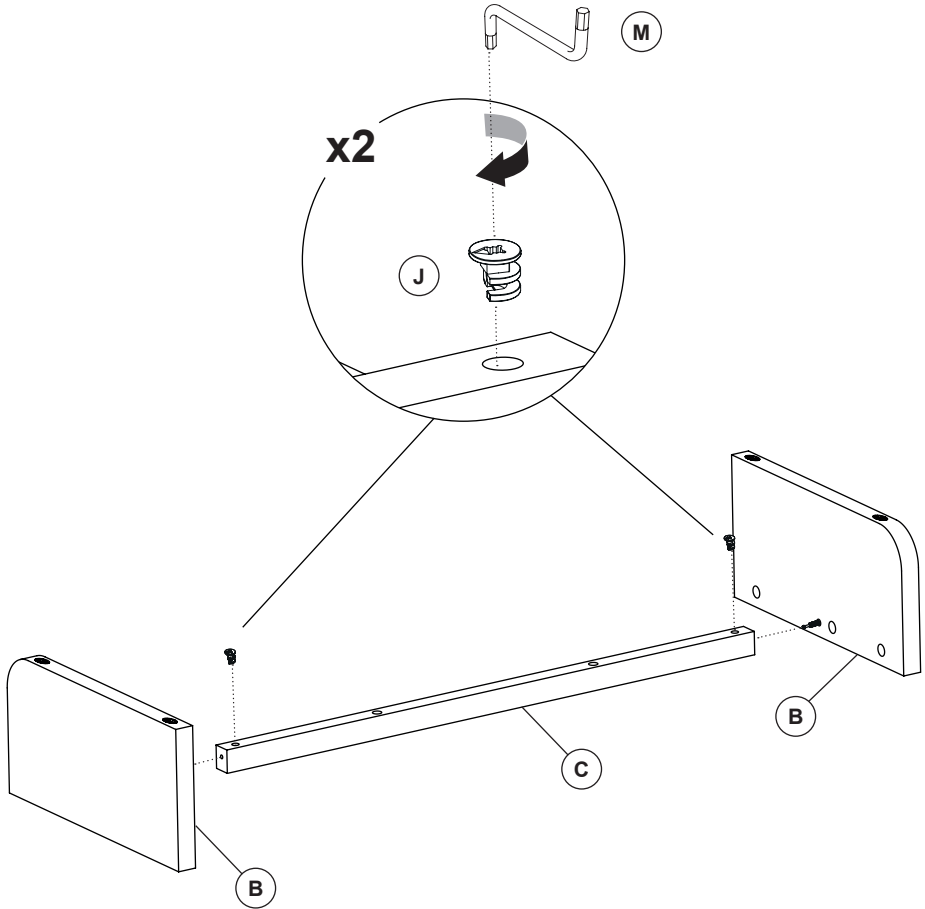
1



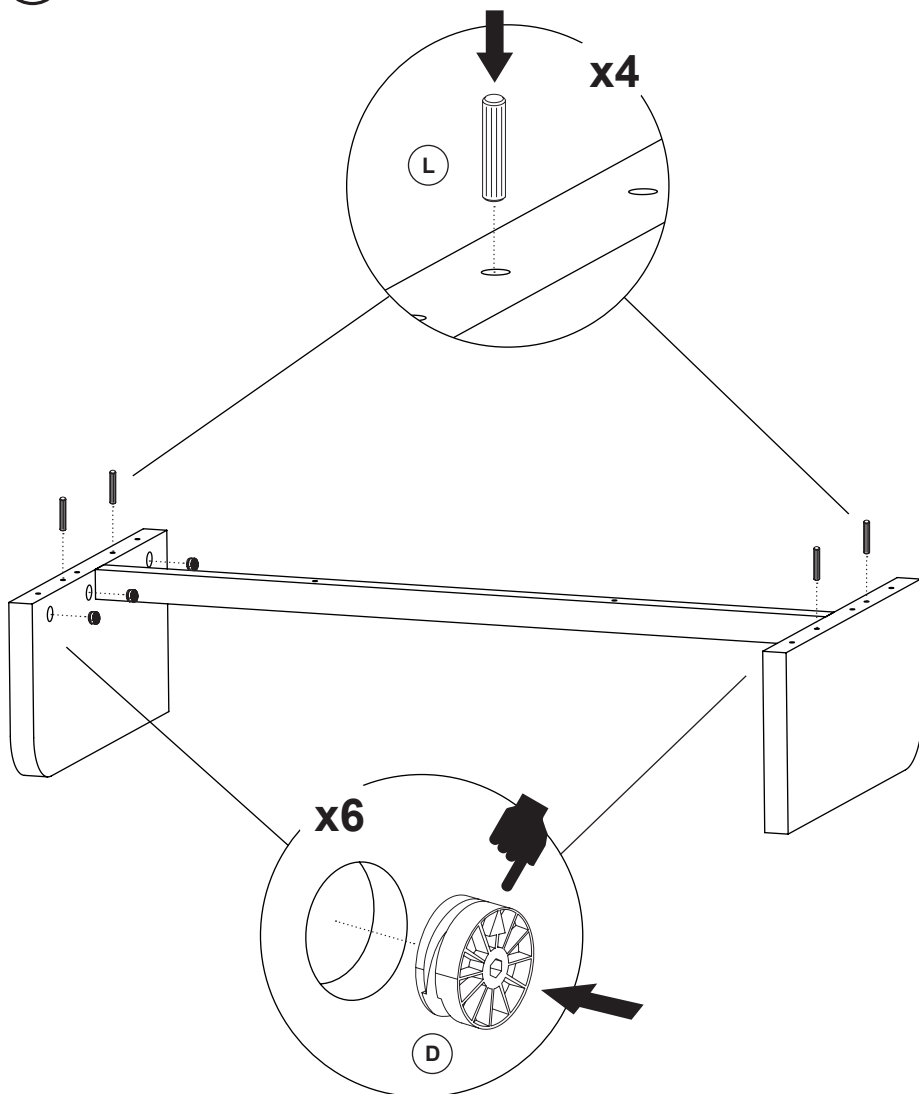
x2



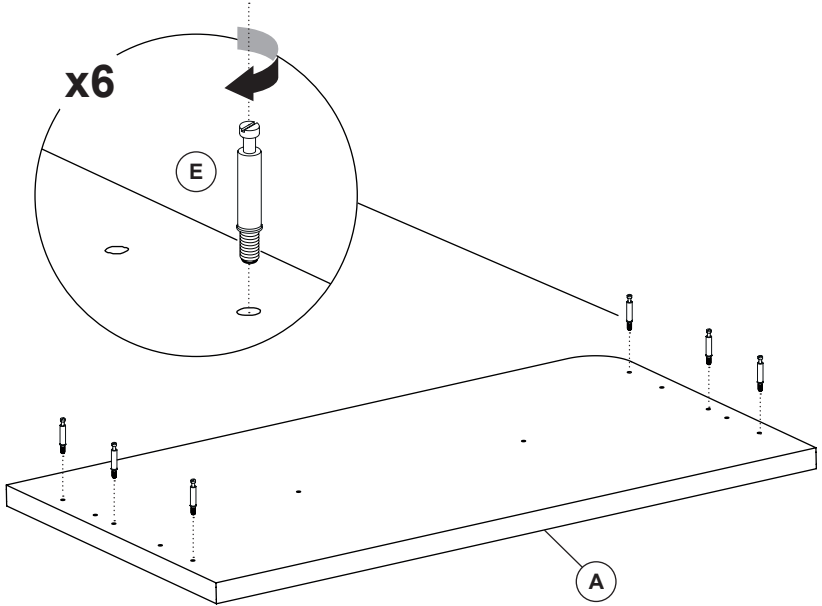
3



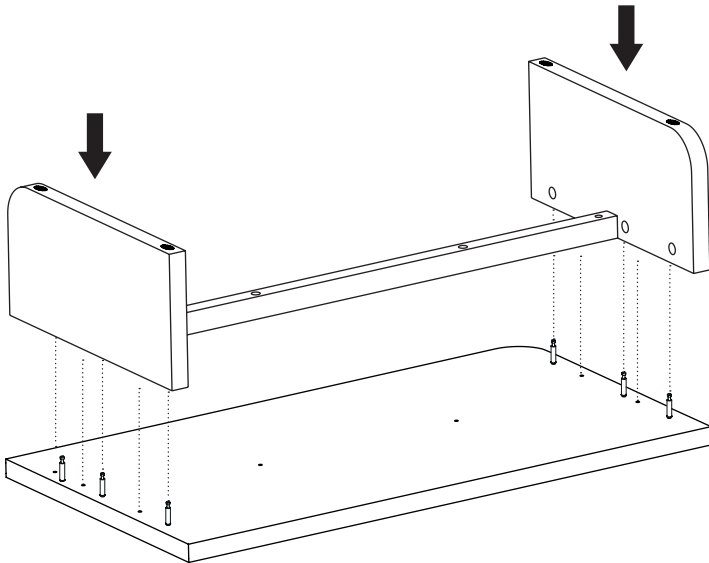
4



5

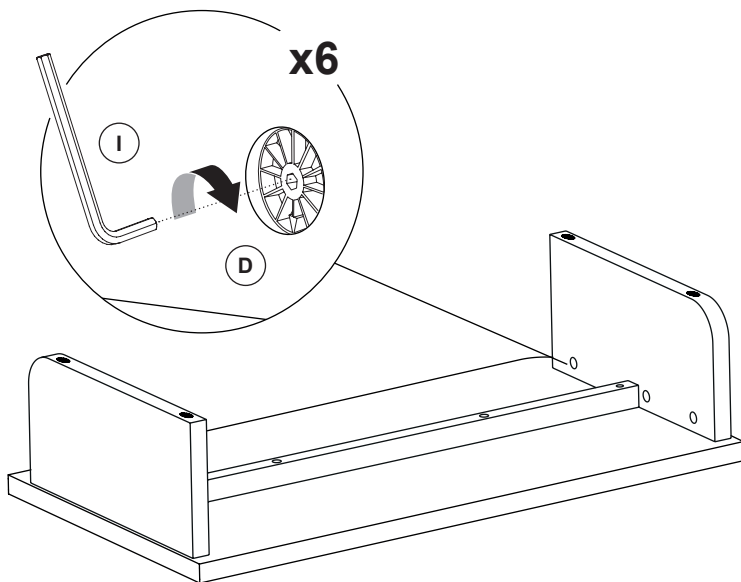


6

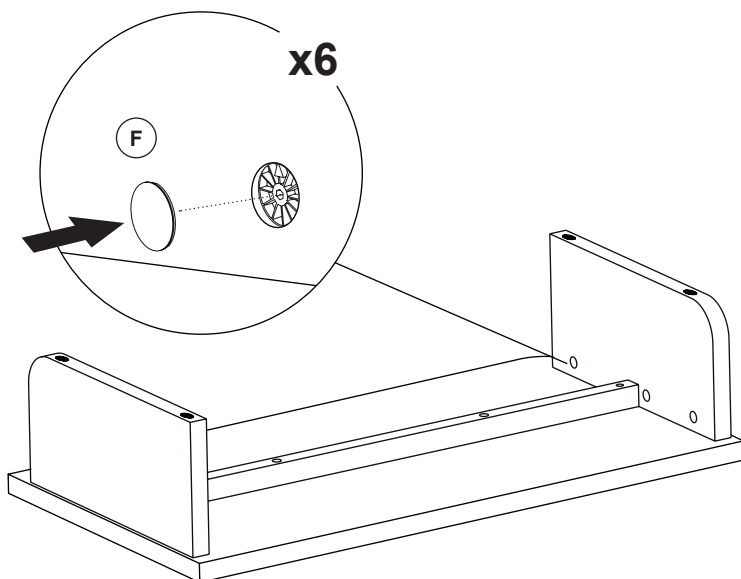




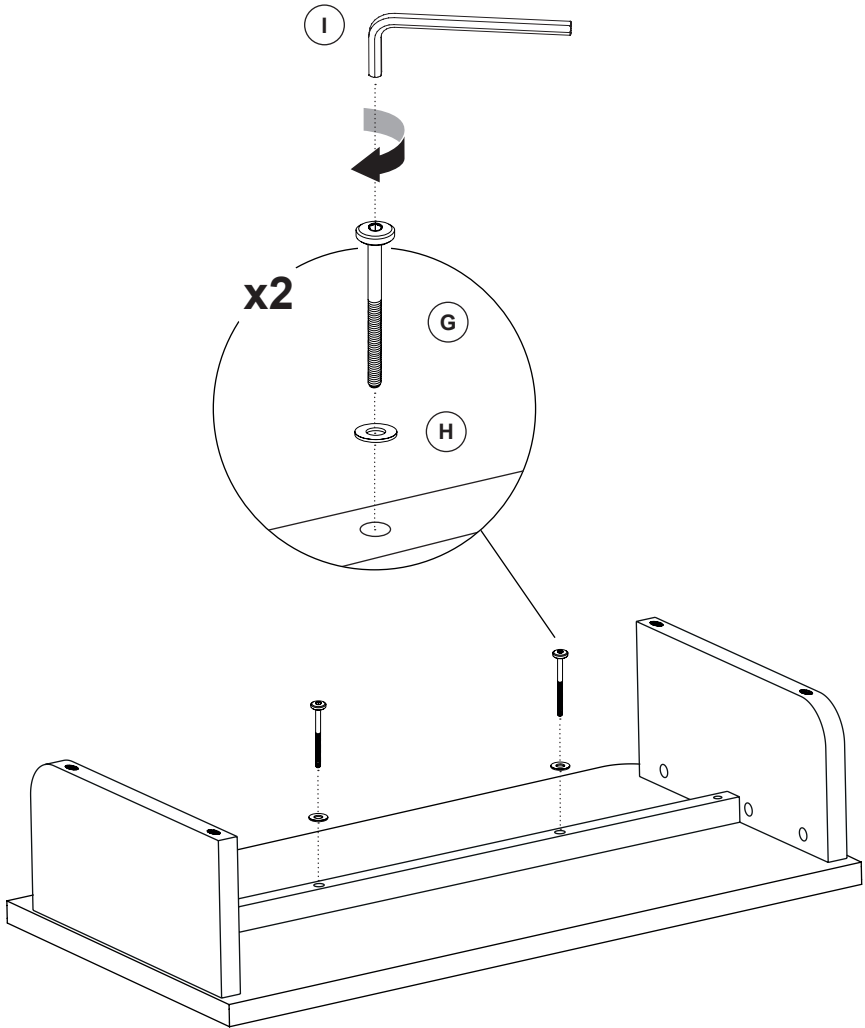
7

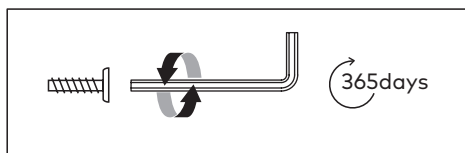
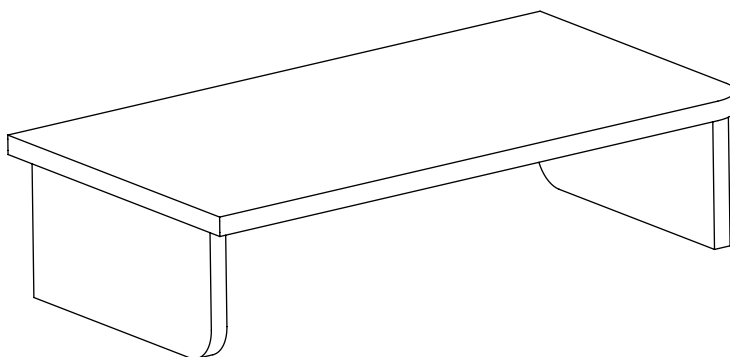


8



9







**THAT'S ALL FOLKS**

Share your style!

#KaveHome

