

STEP IT UP | STEP STOOL

Designed by Jonas Søndergaard



DIMENSIONS

H x W x D: 48 x 55 x 38 cm / 19.1 x 21.9 x 15"



MATERIAL

Solid oak, MDF, polyester and hardwood



WEIGHT

7.0 kg / 5.2 lb



WEIGHT INCL. PACKAGING

9.5 kg / 8.3 lb



CONSTRUCTION

Frame: Painted solid hardwood. **Legs:** Painted solid hardwood. **Lid:** Painted MDF. **Fabric:** Washable polyester. **Bag handles:** Solid oak.



PACKAGING DIMENSIONS (L x W x H)

58 x 48 x 17.5 cm / 22.8 x 18.9 x 6.9"



ASSEMBLY TIME

30 min - video guide at umage.com



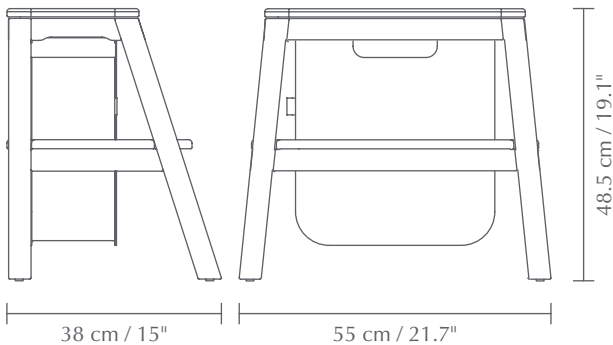
MEDIA KIT

Photos and press material
Download at umage.presscloud.com



ORDERING INFORMATION

Step It Up pearl white	#5414
Step It Up anthracite grey	#5415
Step It Up ruby red	#5416
Step It Up saffron yellow	#5617



Colour variations



pearl white
(RAL: 9001)



anthracite grey
(RAL: 7016)



ruby red
(RAL: 3032)

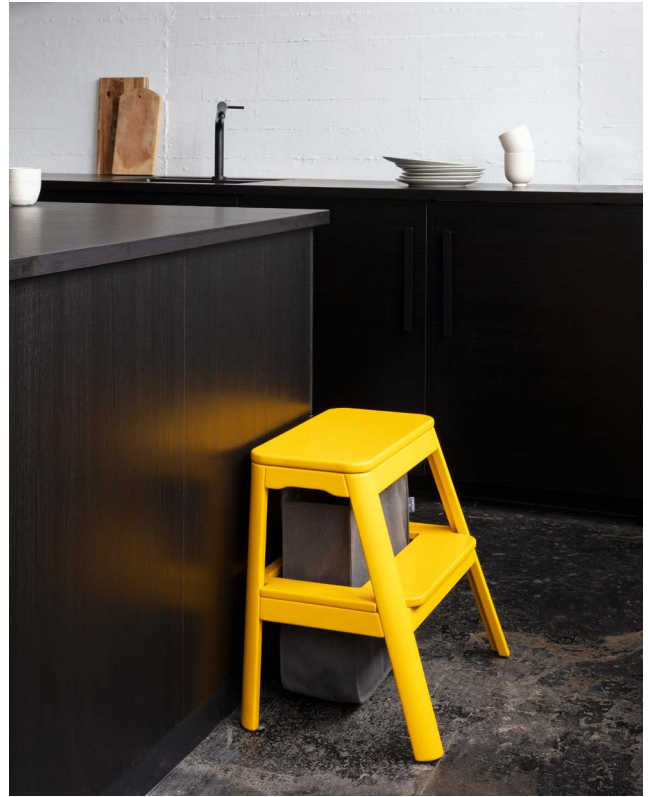


saffron yellow
(RAL: 1004)



STEP IT UP | STEP STOOL

Designed by Jonas Søndergaard



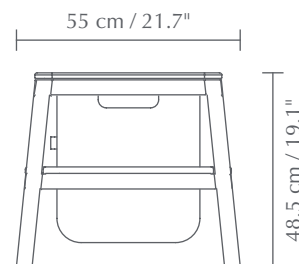
STEP IT UP FOR THE ENVIRONMENT

The step stool that will help you to reach the higher shelves in the kitchen and encourage you to step it up for the environment – hence the name.

Step It Up holds a storage bag that can be taken out and used for grocery shopping, to store your recycled bottles, or other things that you simply need space to store. The new step stool encourages you to minimise the use of plastic bags and sort your recyclable waste, making it easier to take better care for the environment in your everyday life, while enhancing the functionality in our living space.

The step stool comes in two subtle and two vibrant colours so there a little something for every taste. You can step up from three sides of the stepping stool and it has antifriction shoes to make sure you always have a steady balance on the stool. The bag can be washed in the washer on 30 degrees.

Find more info on our website umage.com




UMAGE