

THE SOCIALITE | BAR STOOL

Designed by Thor Høy



DIMENSIONS

Ø: 47 cm / 18.5"
H: 77.5 cm / 30.6"



MARKINGS, TESTS & CERTIFICATIONS

EU: Passed EN 16139 (L1)
US: Passed ANSI / BIFMA X5.4



MATERIAL

Solid oak, aluminium (brass anodised)



WEIGHT

5.1 kg / 11.2 lb



WEIGHT INCL. PACKAGING

7 kg / 15.4 lb



CONSTRUCTION

Frame: Solid oak frame, glued and locked in place with a steel ring



PACKAGING DIMENSIONS (L x W x H)

37 x 37 x 81.5 cm / 14.6 x 14.6 x 32.1"



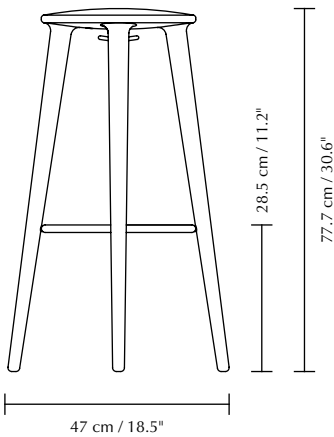
MEDIA KIT

Photos and press material
Download at umage.presscloud.com



ORDERING INFORMATION

The Socialite bar stool oak	#5520
The Socialite bar stool dark oak	#5881
The Socialite bar stool black oak	#5120



Colour variations



oak



dark oak



black oak



THE SOCIALITE | BAR STOOL

Designed by Thor Høy



The Socialite bar stool is carefully designed with great attention to detail and craftsmanship. Made from solid oak and finished with a stylish brass footrest and hook, The Socialite bar stool will lift the home – as well as the conversations.

With a curved seat and a footrest in brass, the design is constructed to provide comfortable seating, whether you're having cocktails in a hotel bar or enjoying a casual gathering with friends by the kitchen counter. The stool features a convenient brass hook underneath the seat to hang a jacket or your purse, adding a practical element that enhances its usability.

Find more info on our website umage.com

