
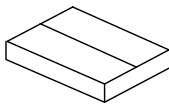
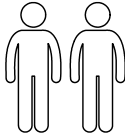

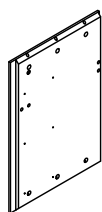
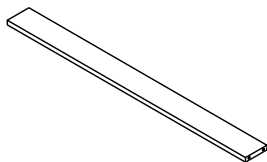


**Kave® Cares**

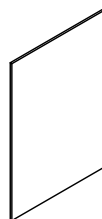
			
50 min	x2	x2	x1



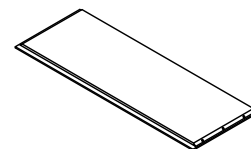
(1)x1



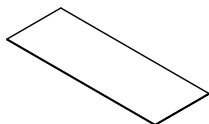
(2)x2



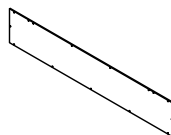
(3)x1



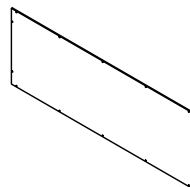
(4)x1



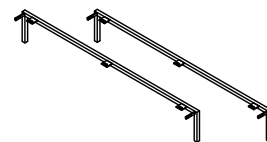
(5)x1



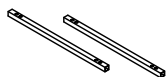
(6)x1



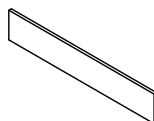
(7)x2



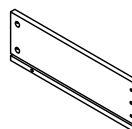
(8)x2



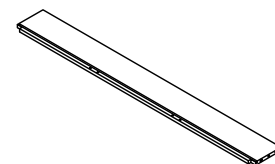
(10)x2



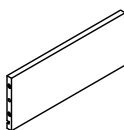
(11)x3



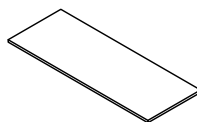
(12)x3



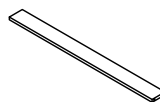
(13)x3



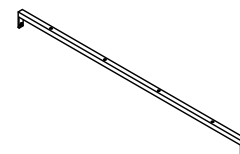
(14)x3



(15)x3



(16)x6



(17)x1



Ax1(m4)



Bx32(ø15x12)



Cx8(M6x45)



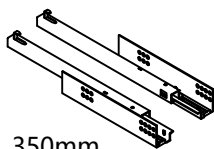
Dx12(ø6x80)



Ex4(ø3.5x20)



Fx24(ø3.5x16)



350mm

G=3 SET



Hx8 (M6x10)



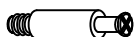
Ix6(M6x15)



Jx12(ø6x25)



Kx48



Lx48(M5x25)



Mx4



Nx4(ø3.5x50)



Ox4



Px2



Qx12 (ø20)



Rx25(ø3.5x20)

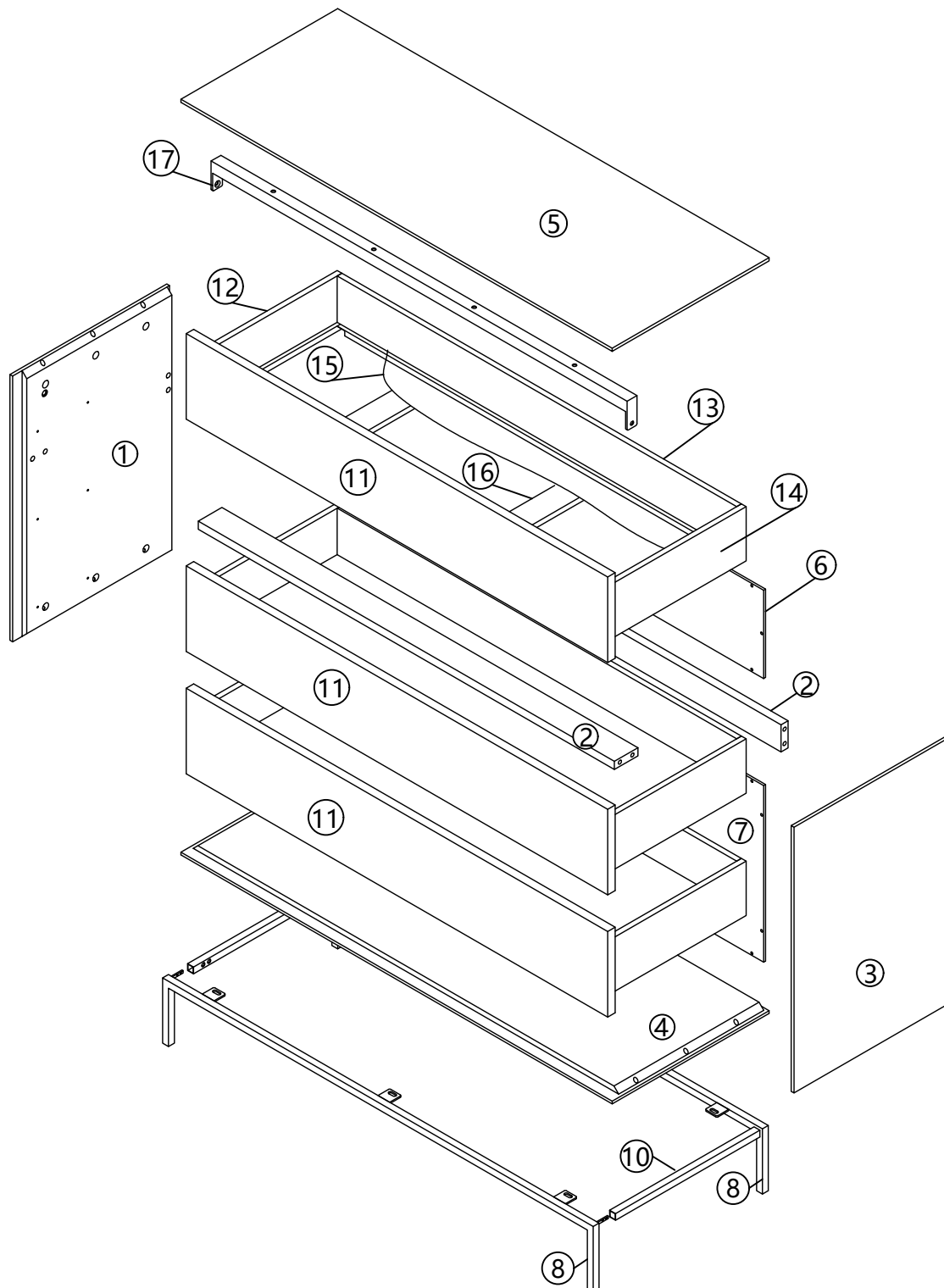


Sx2(M6x15)

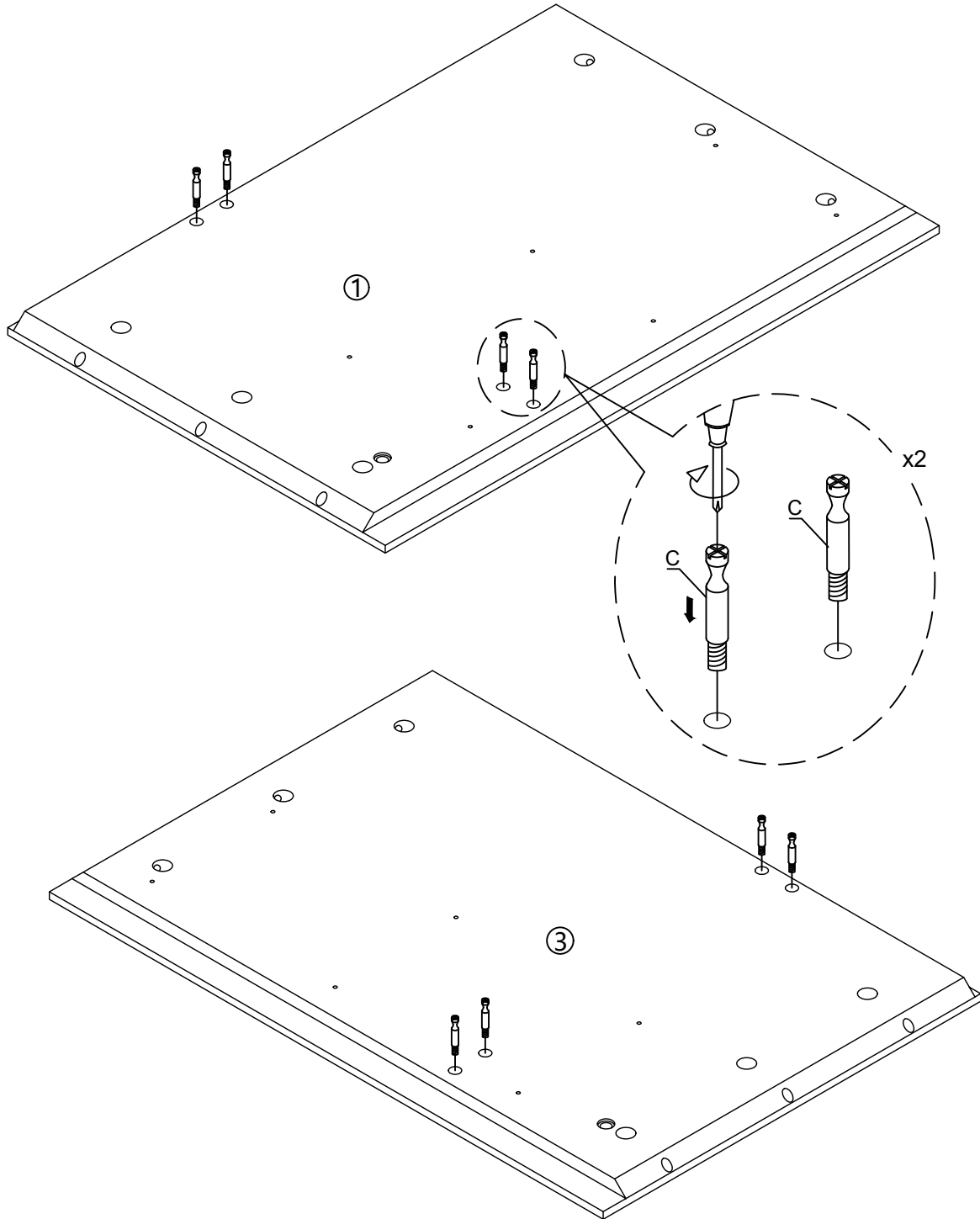


Tx4(M6x35)

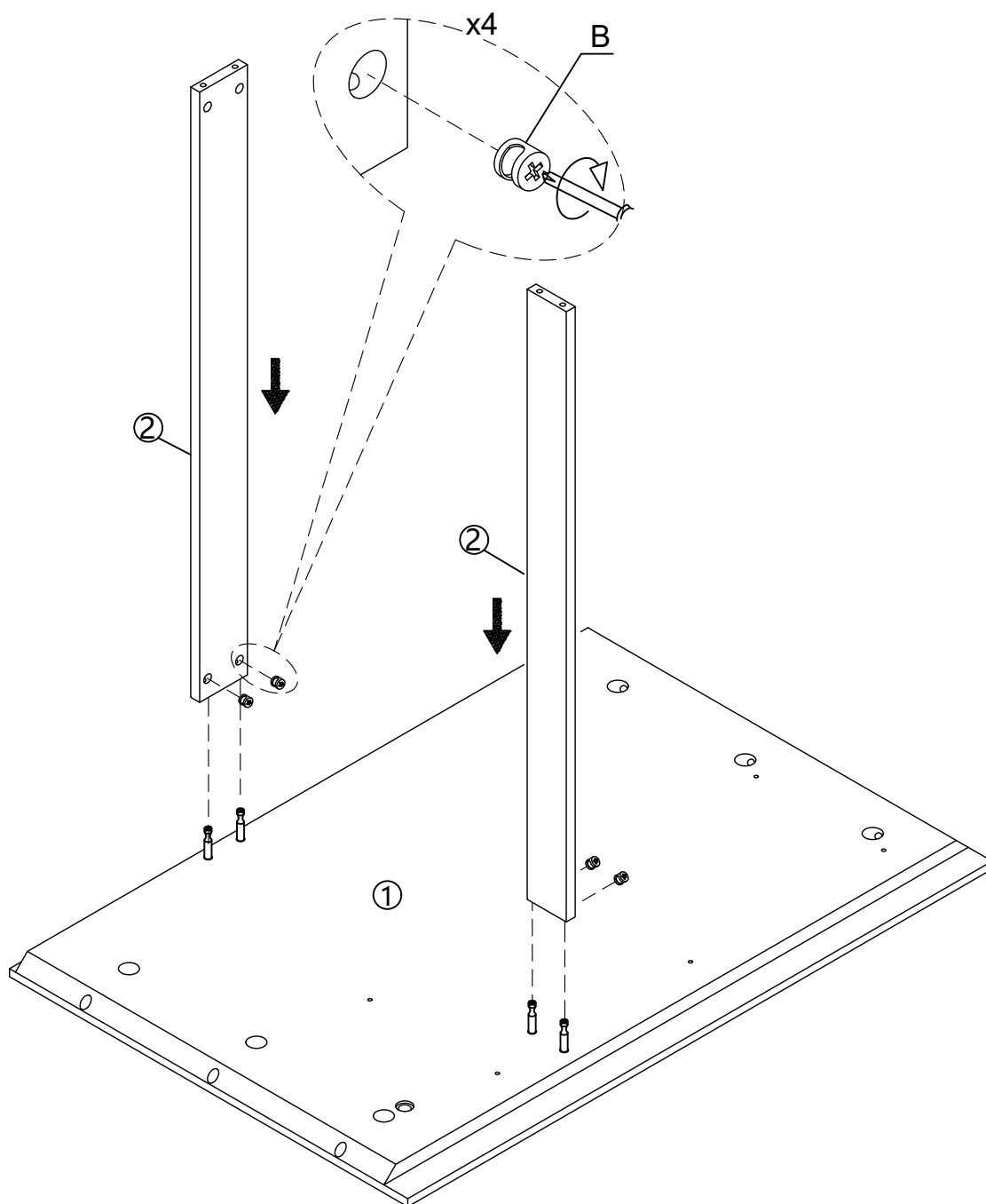




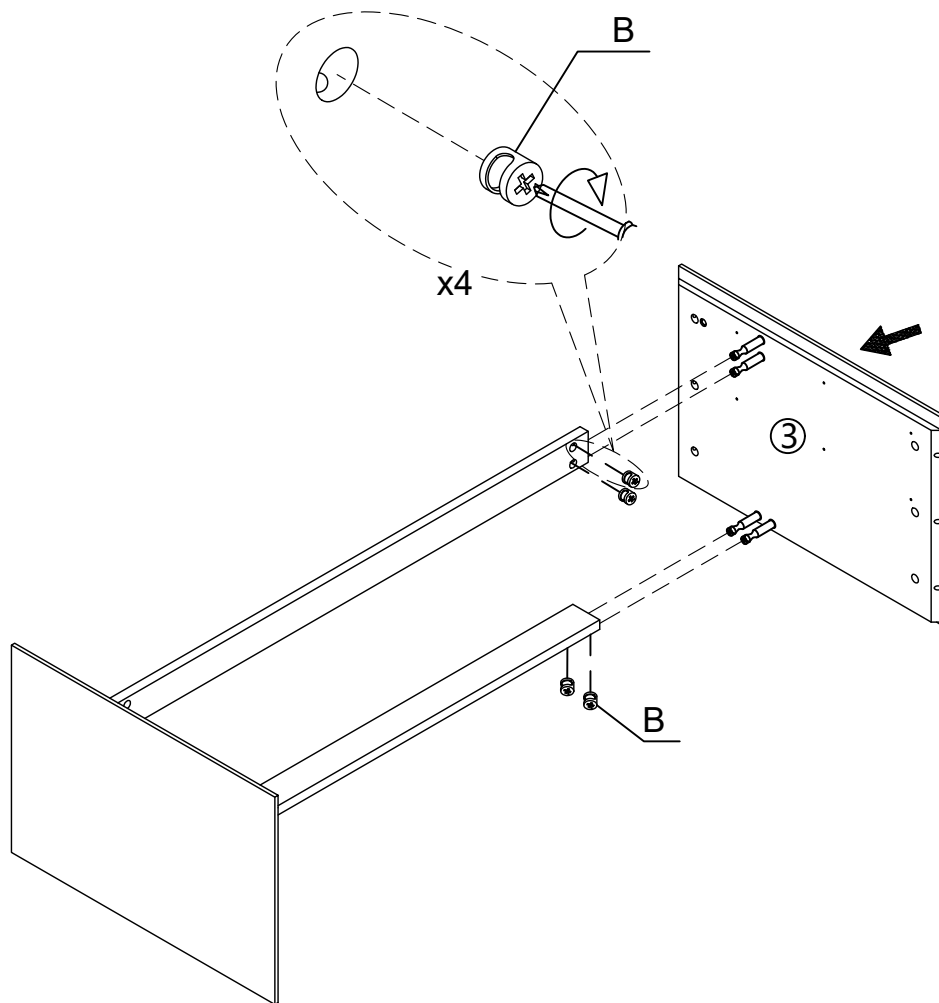
1



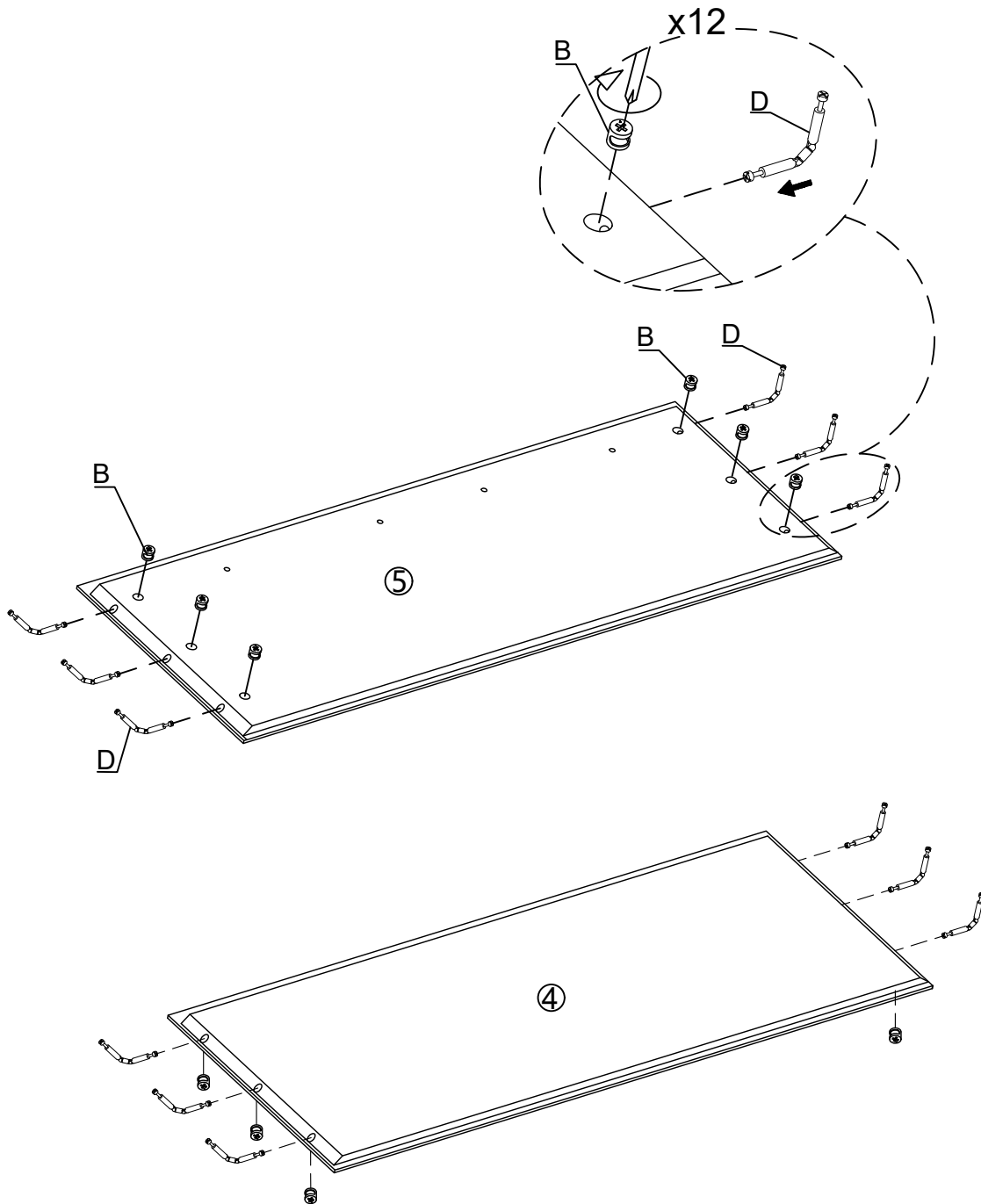
2



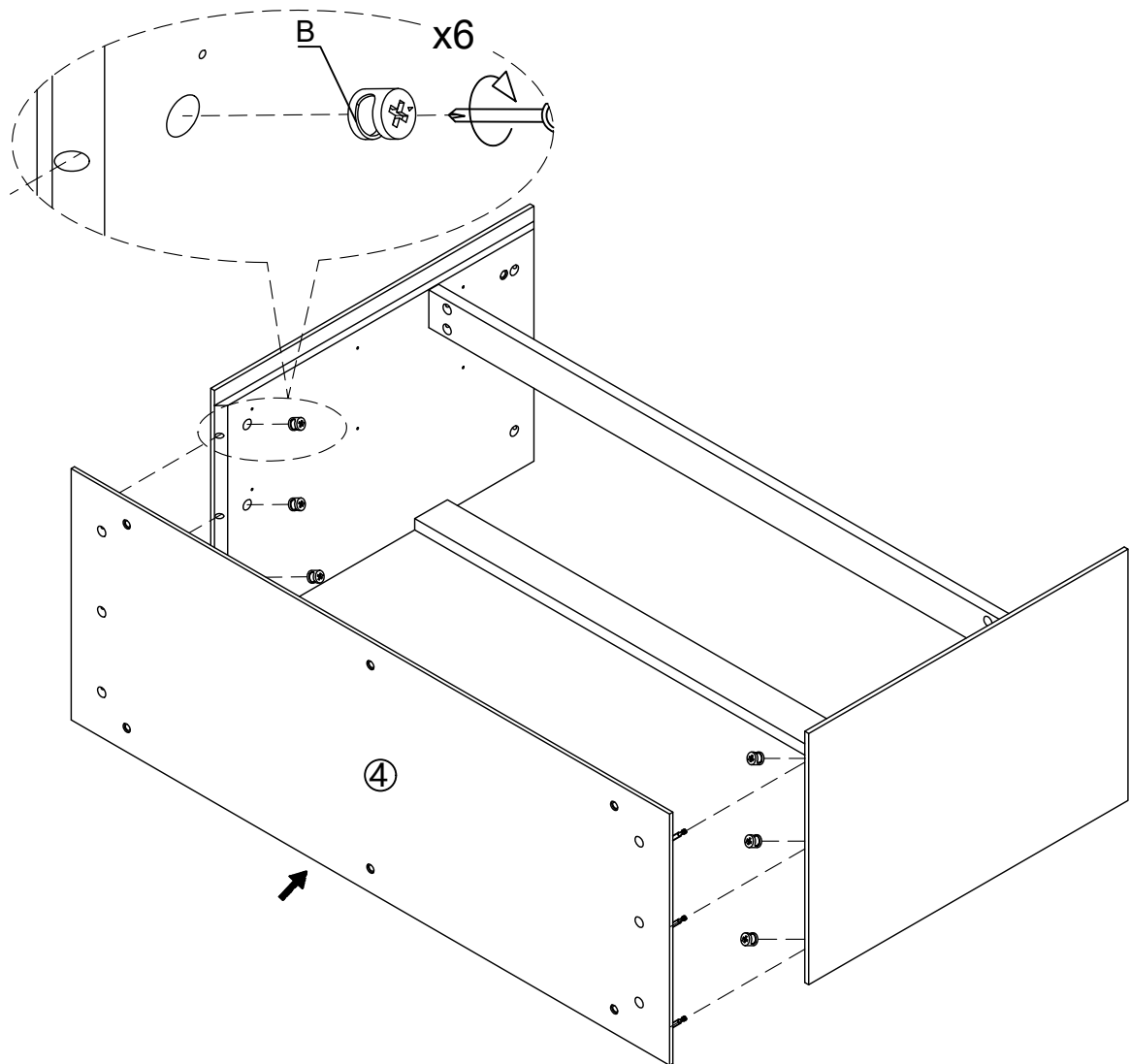
3



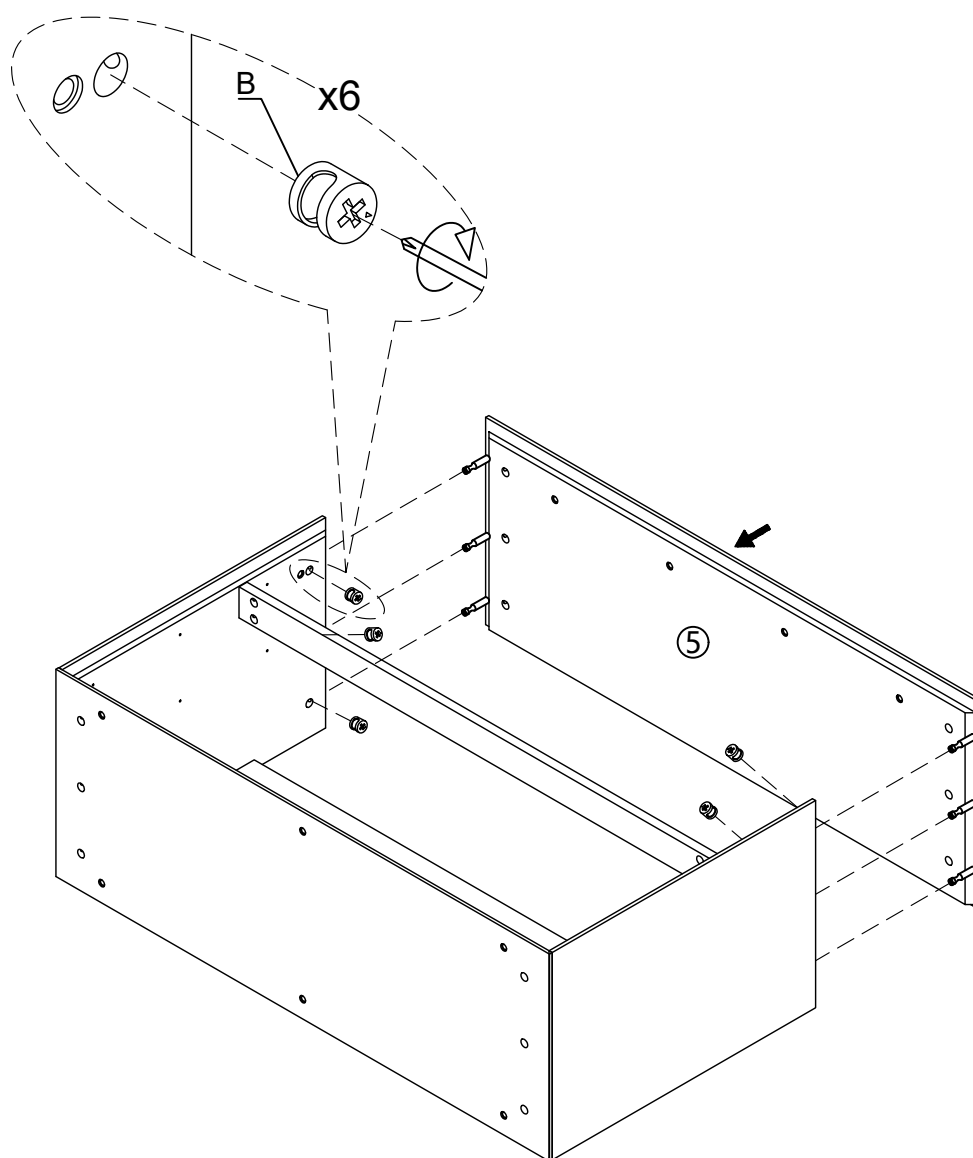
4



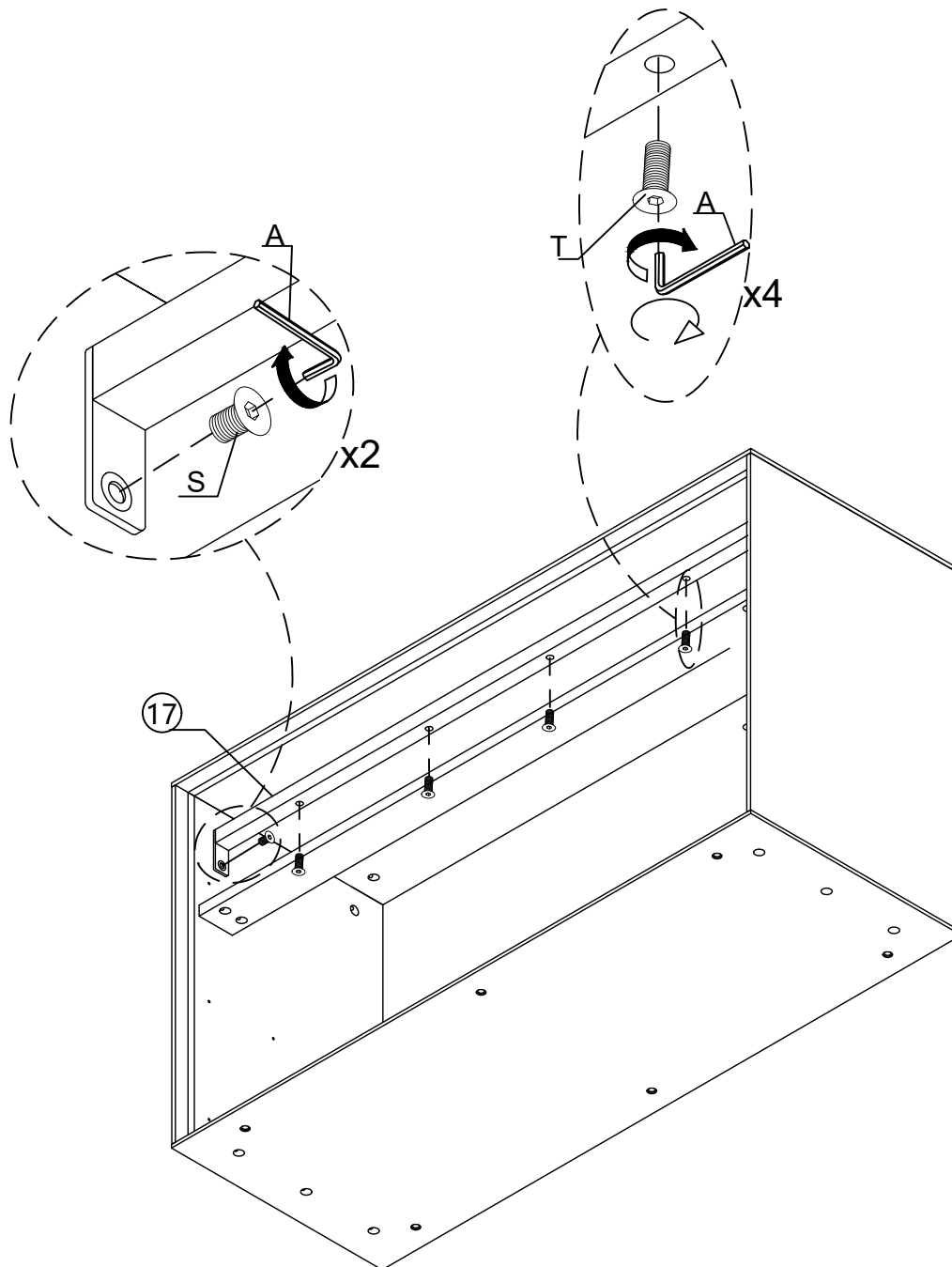
5



6

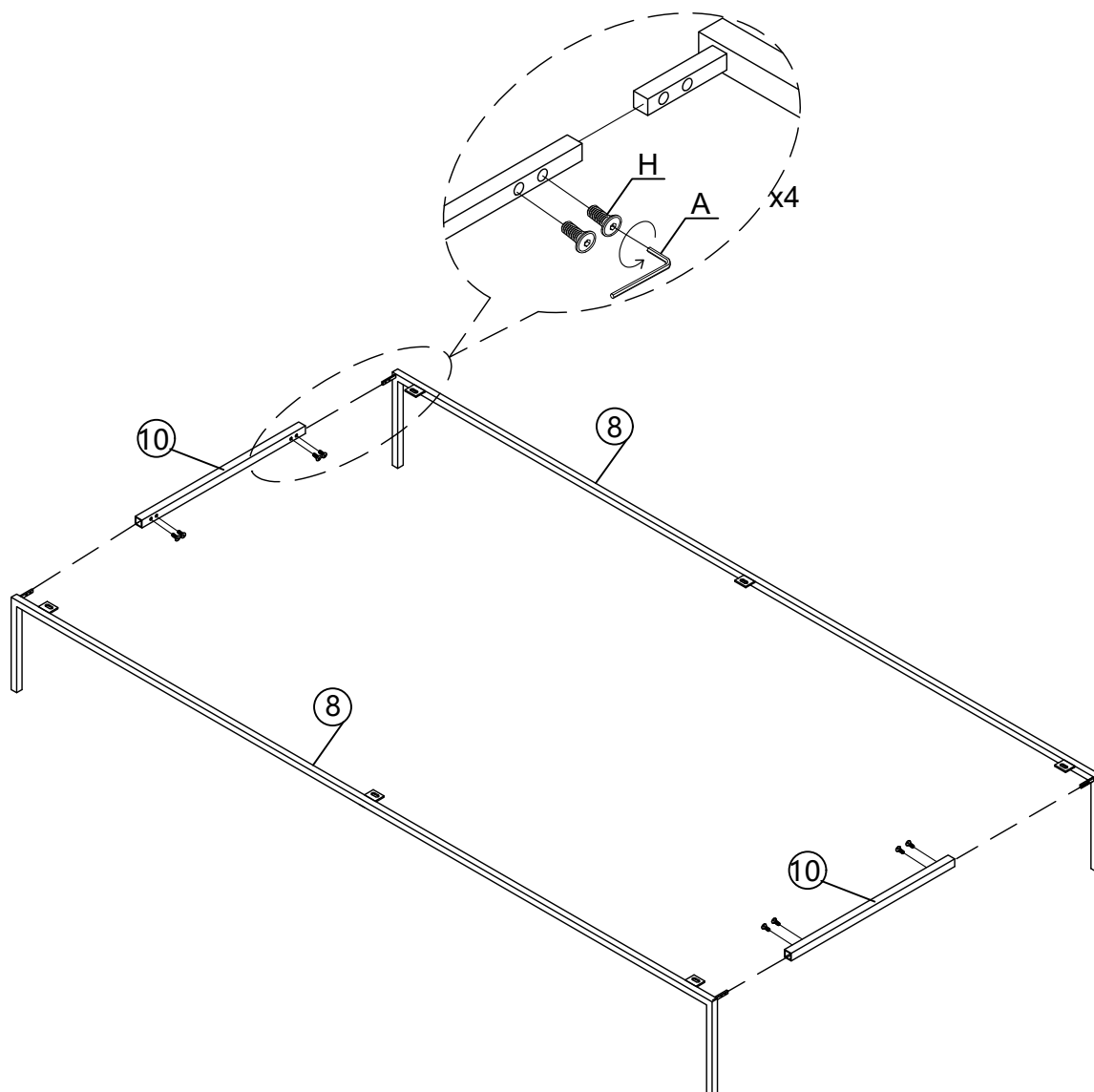


7

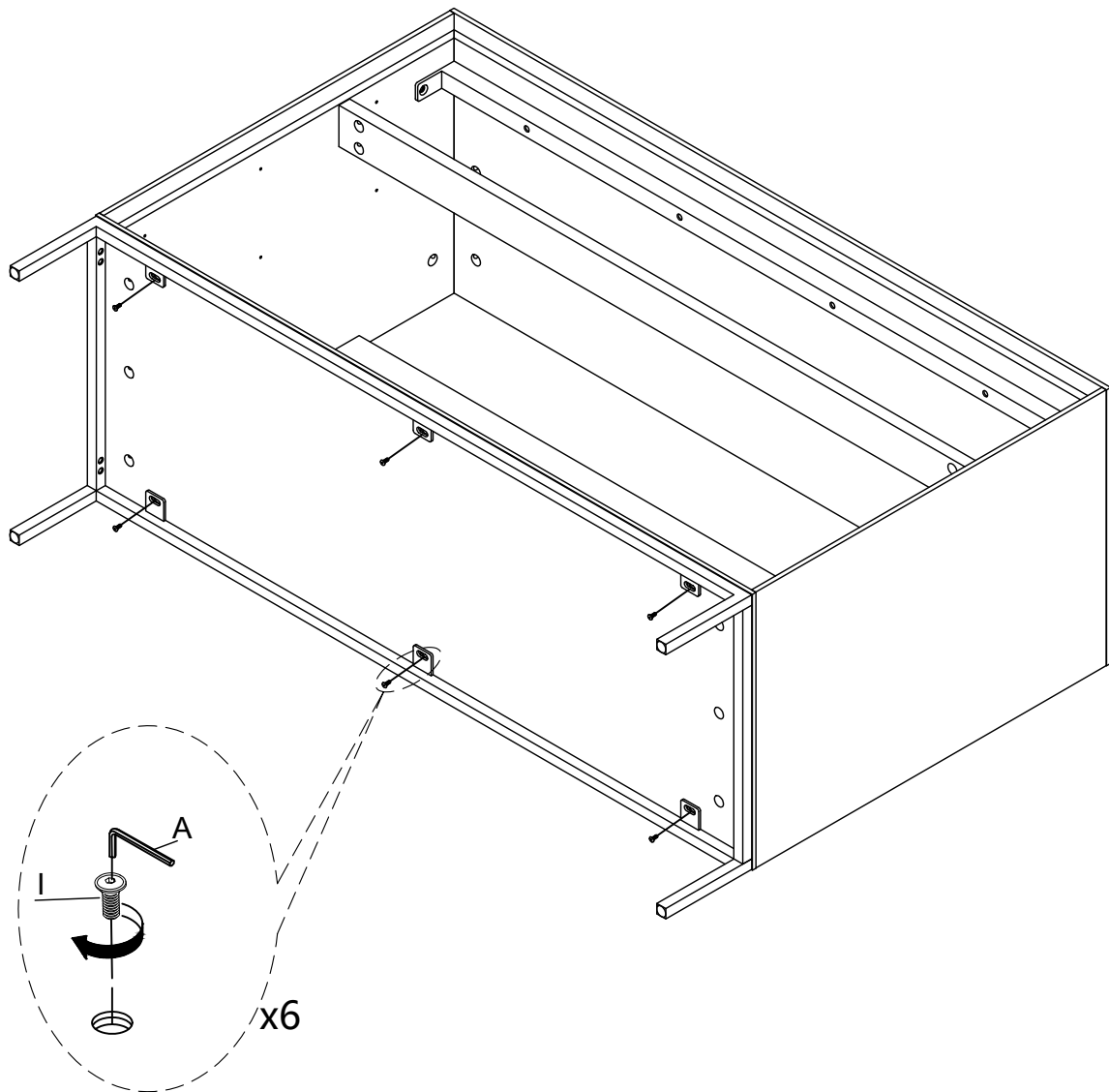




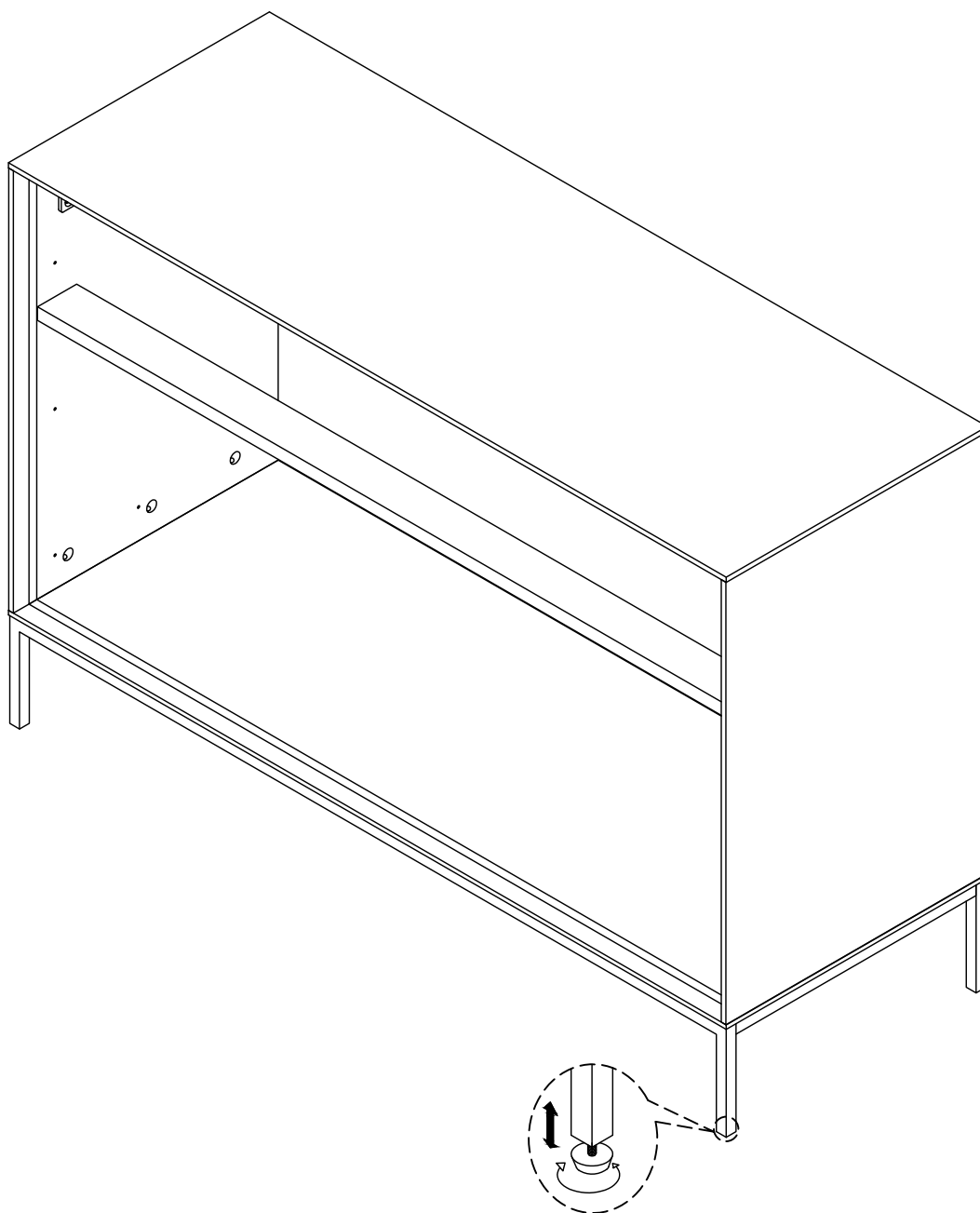
8



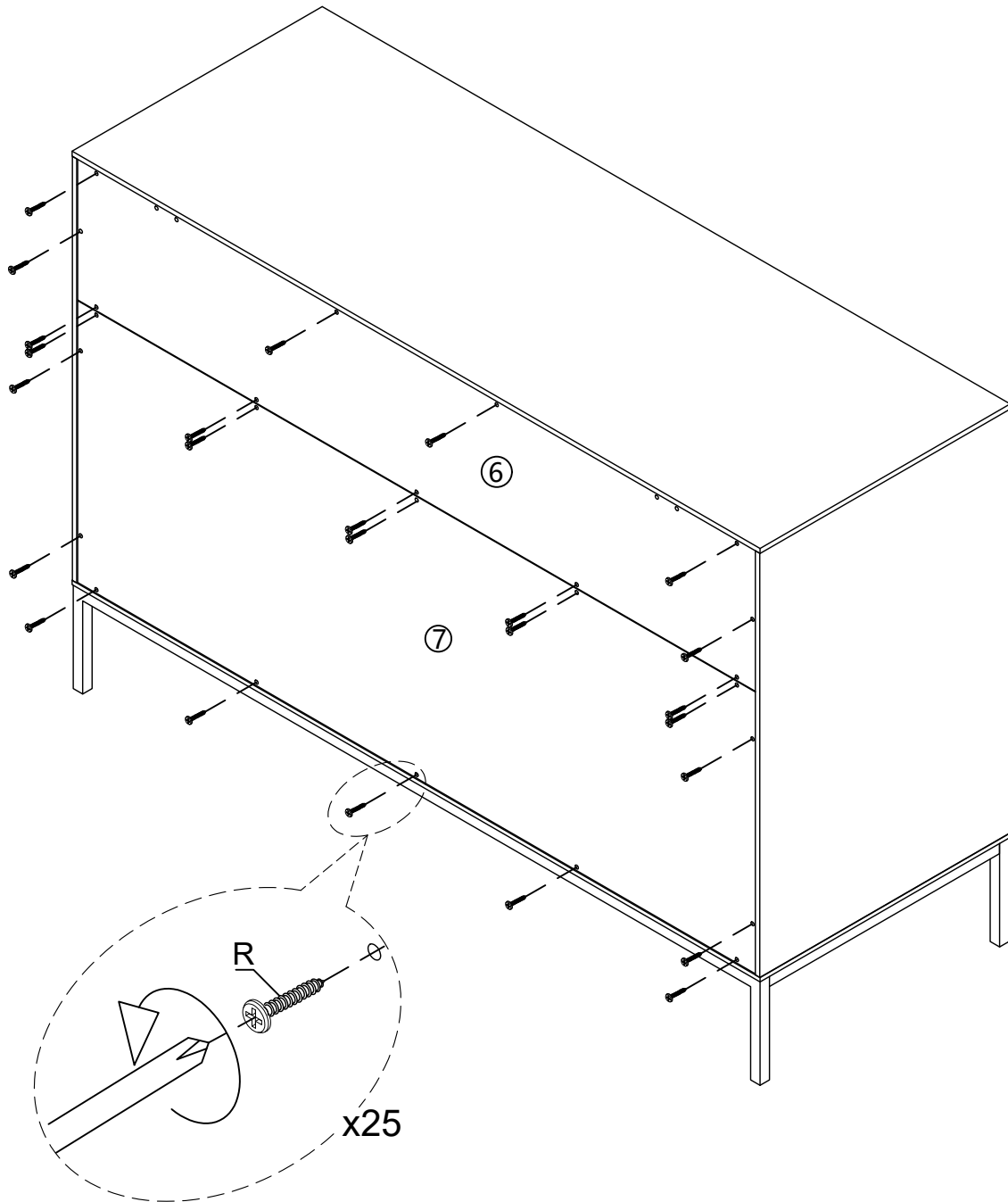
9



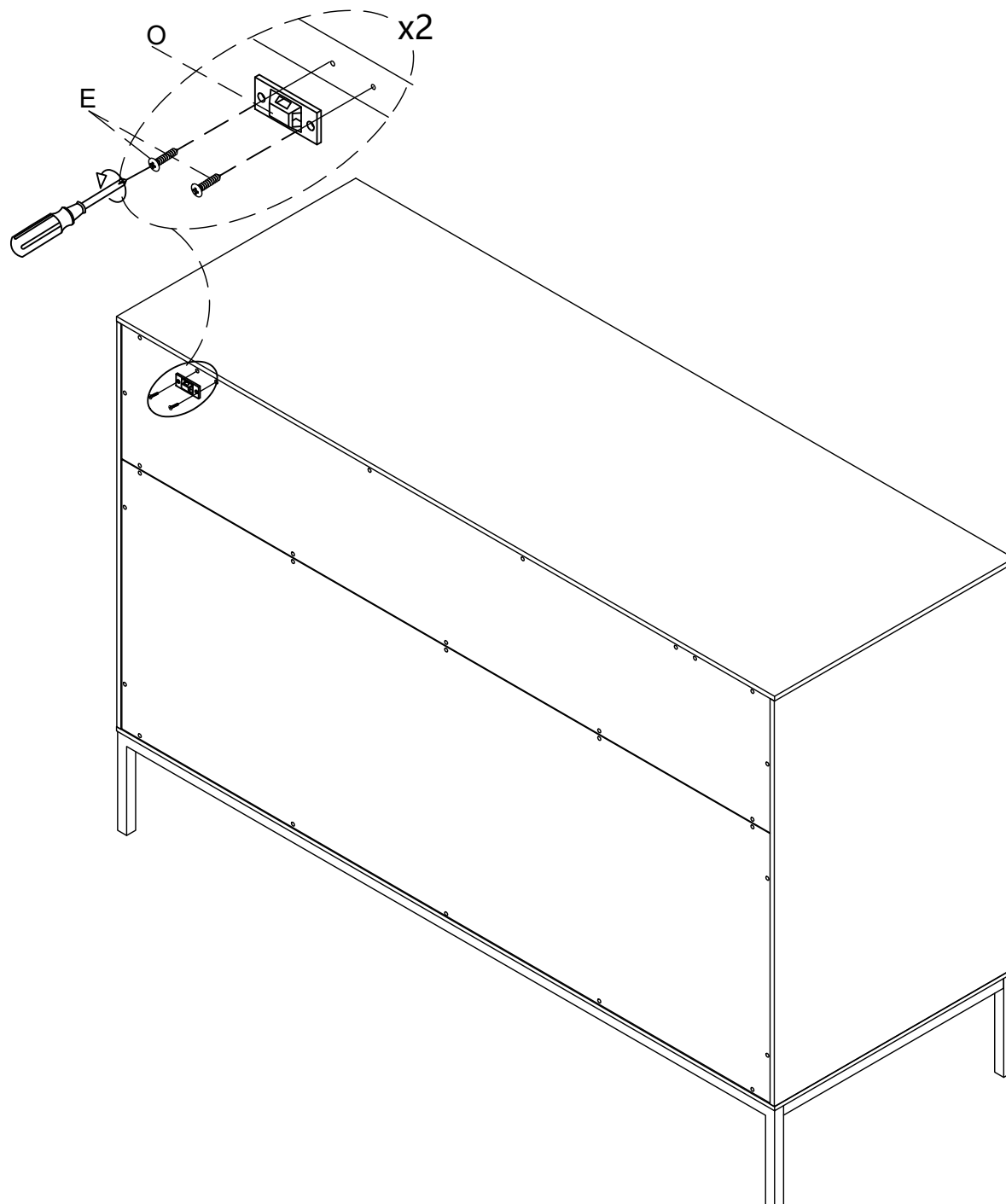
10



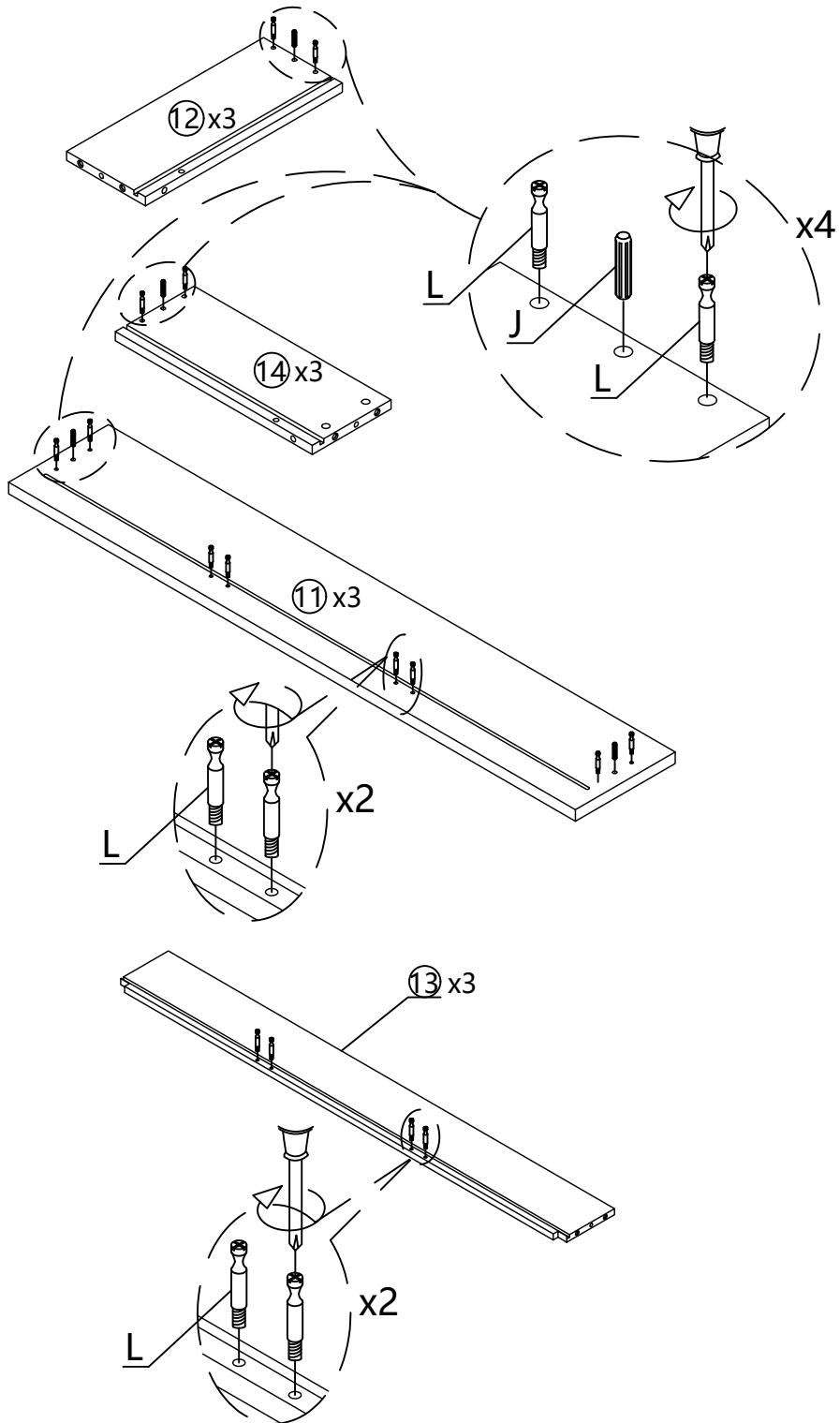
11



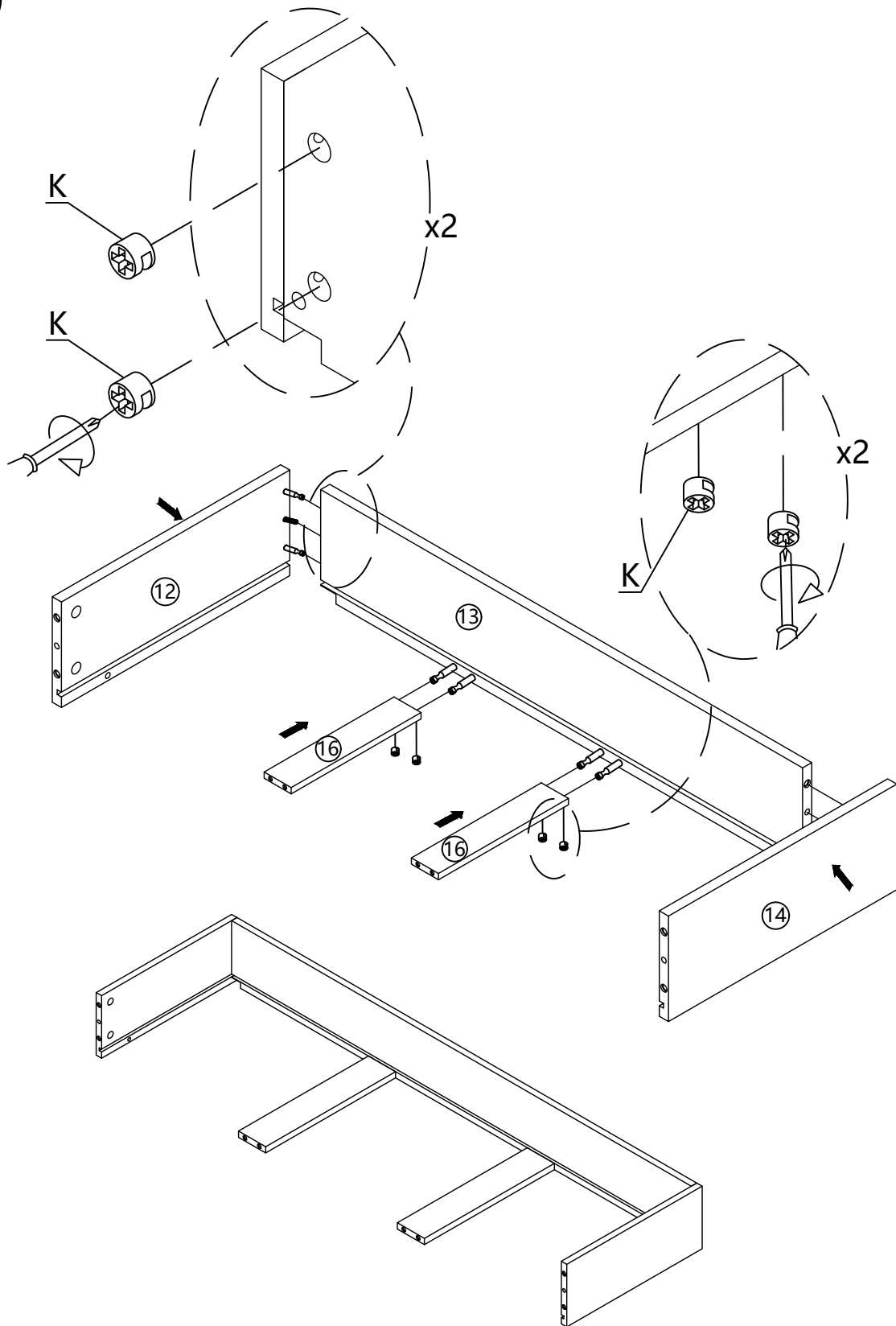
12



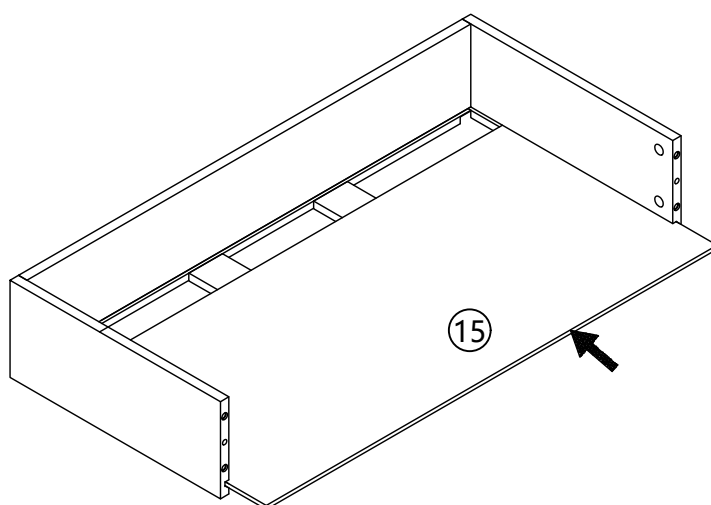
13



14

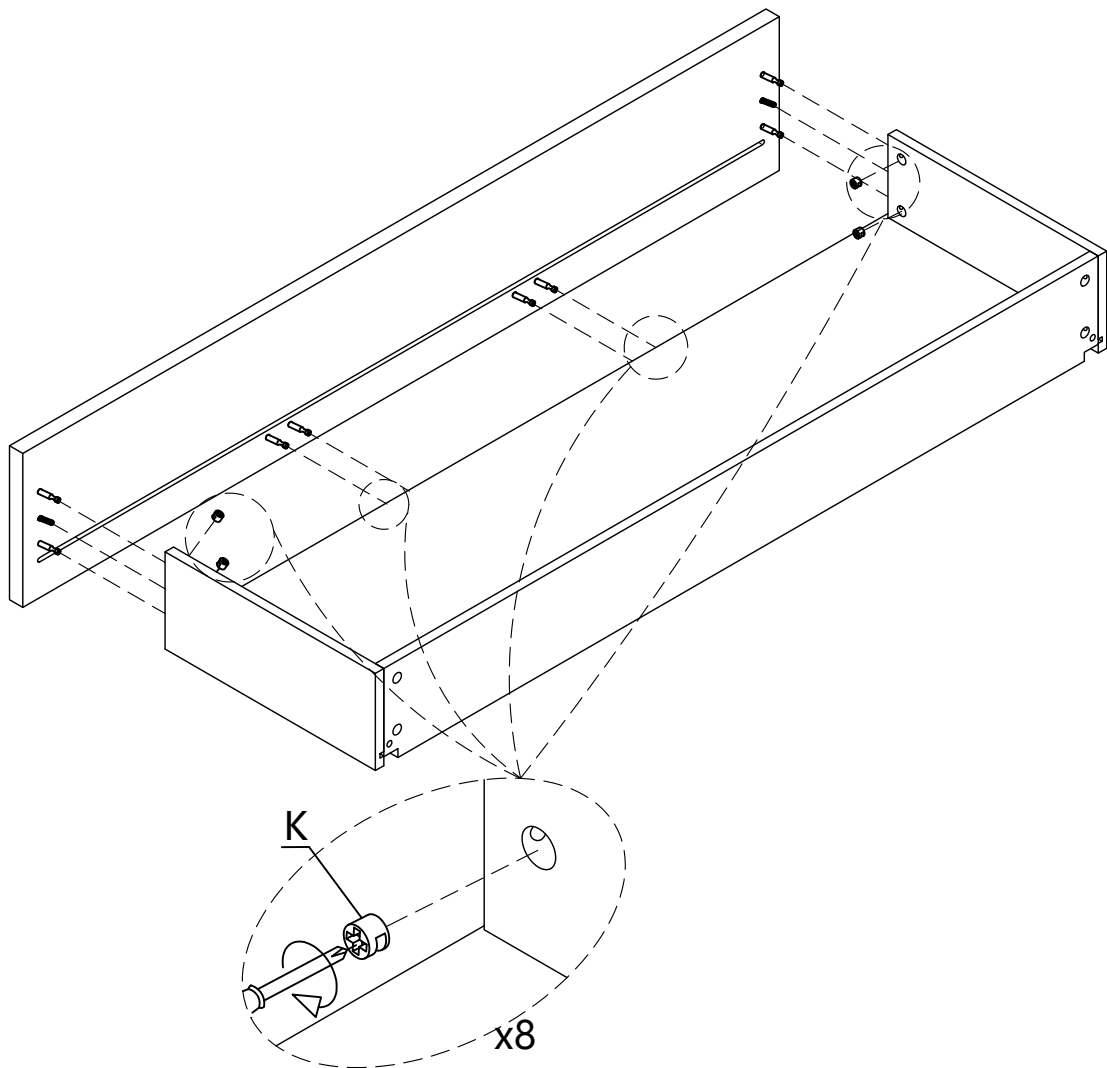


15

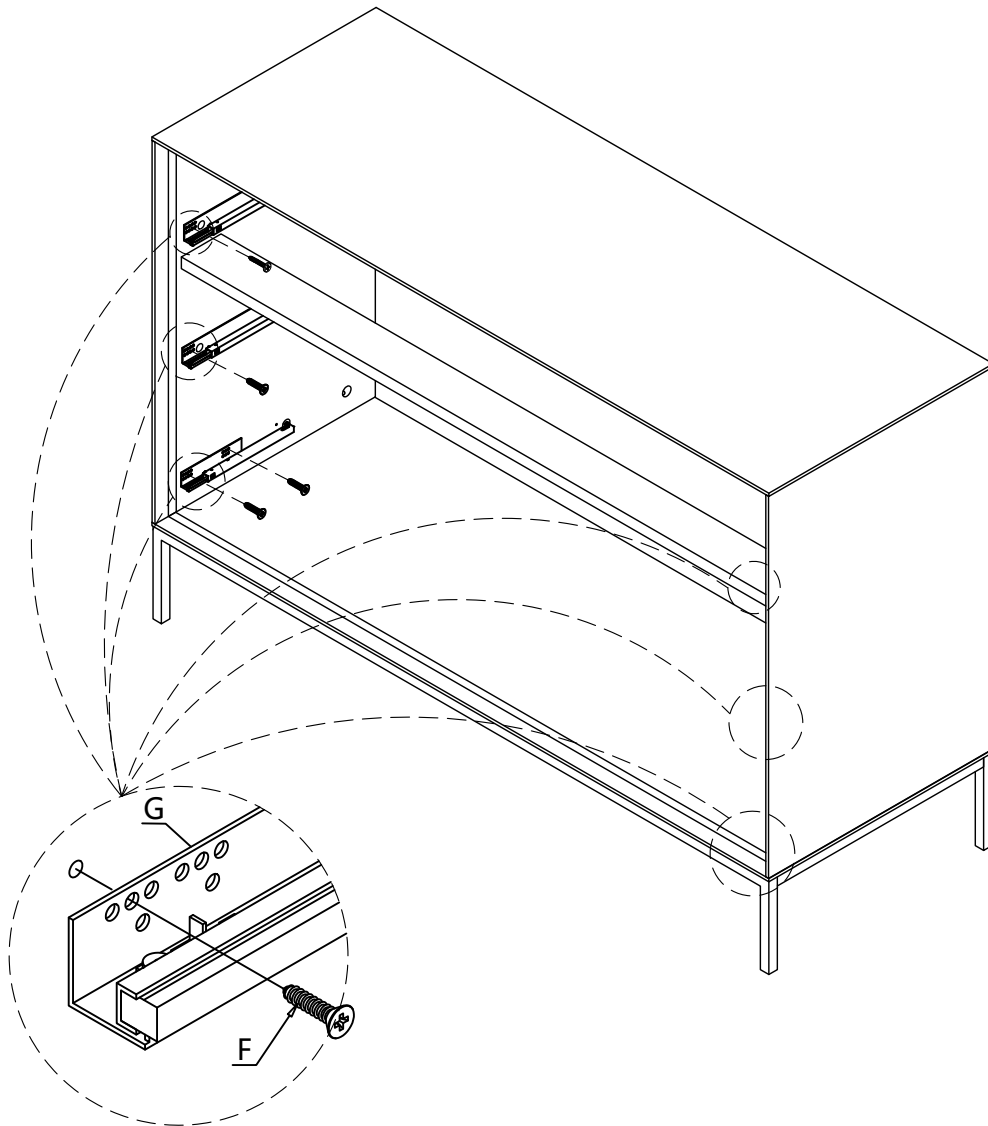




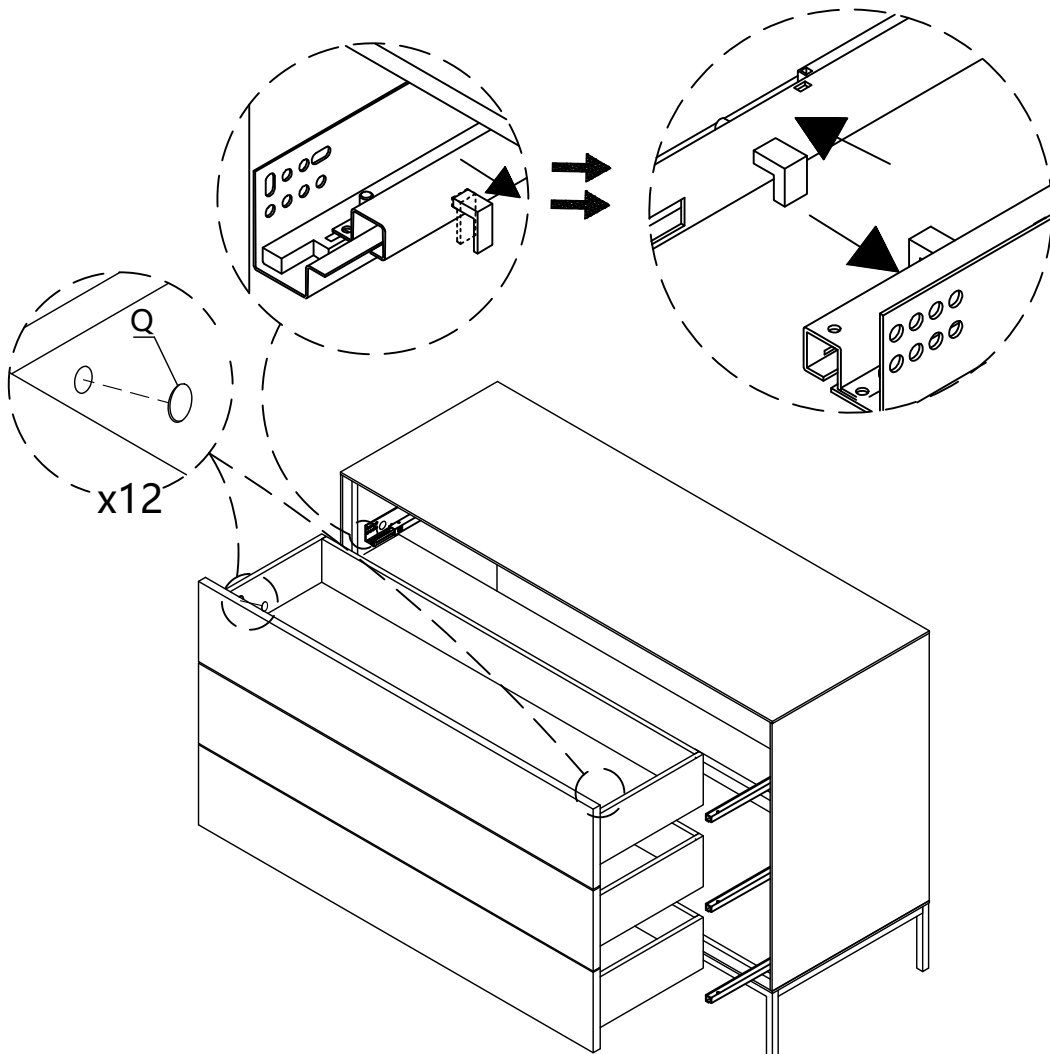
16



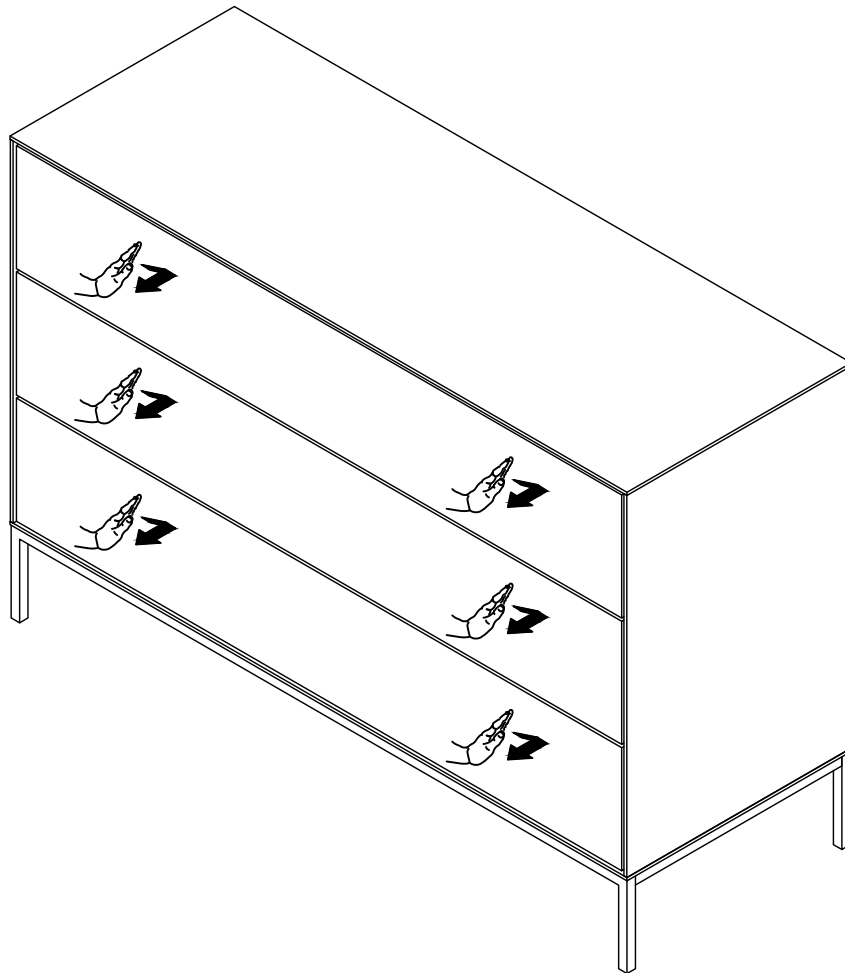
17



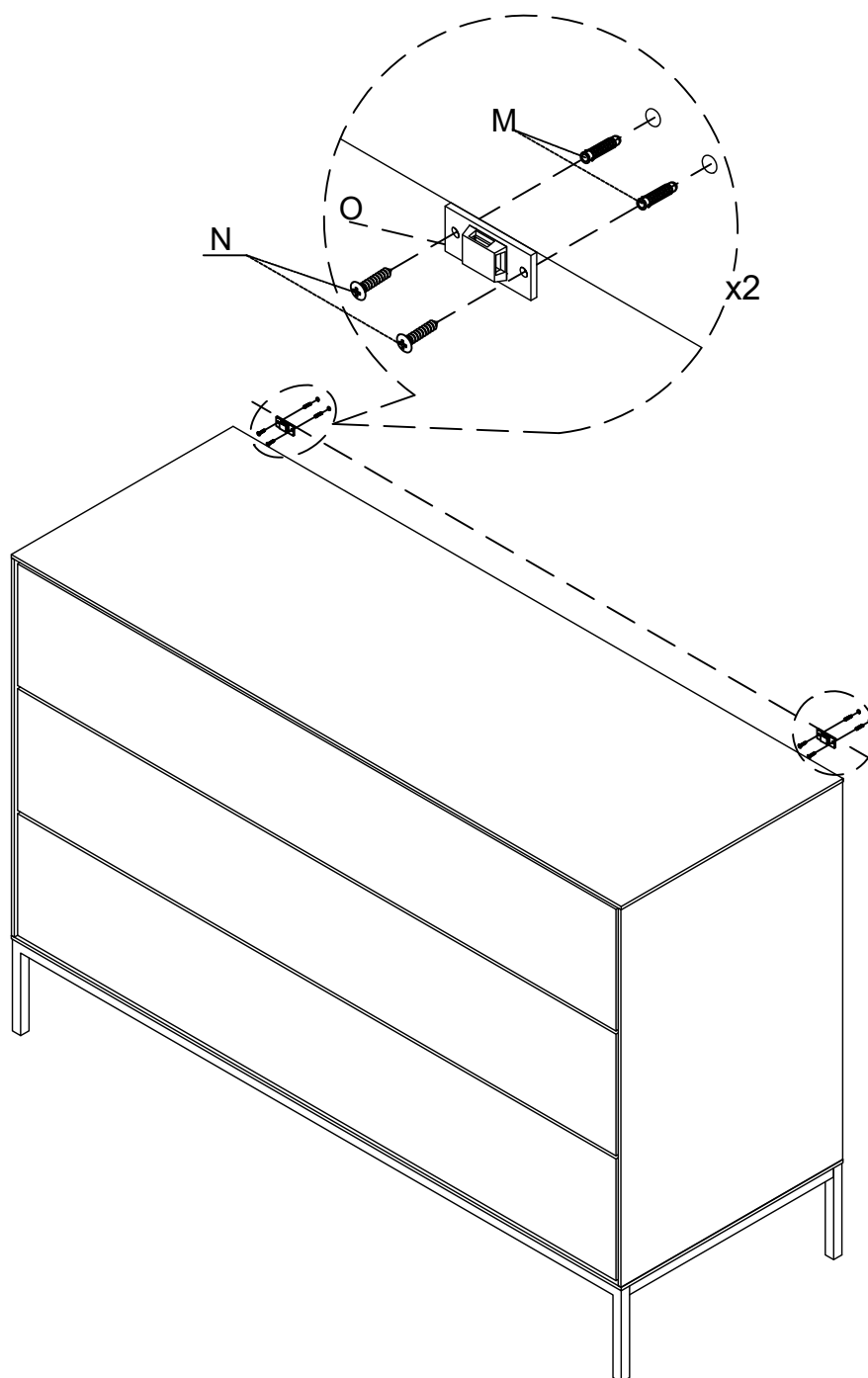
18



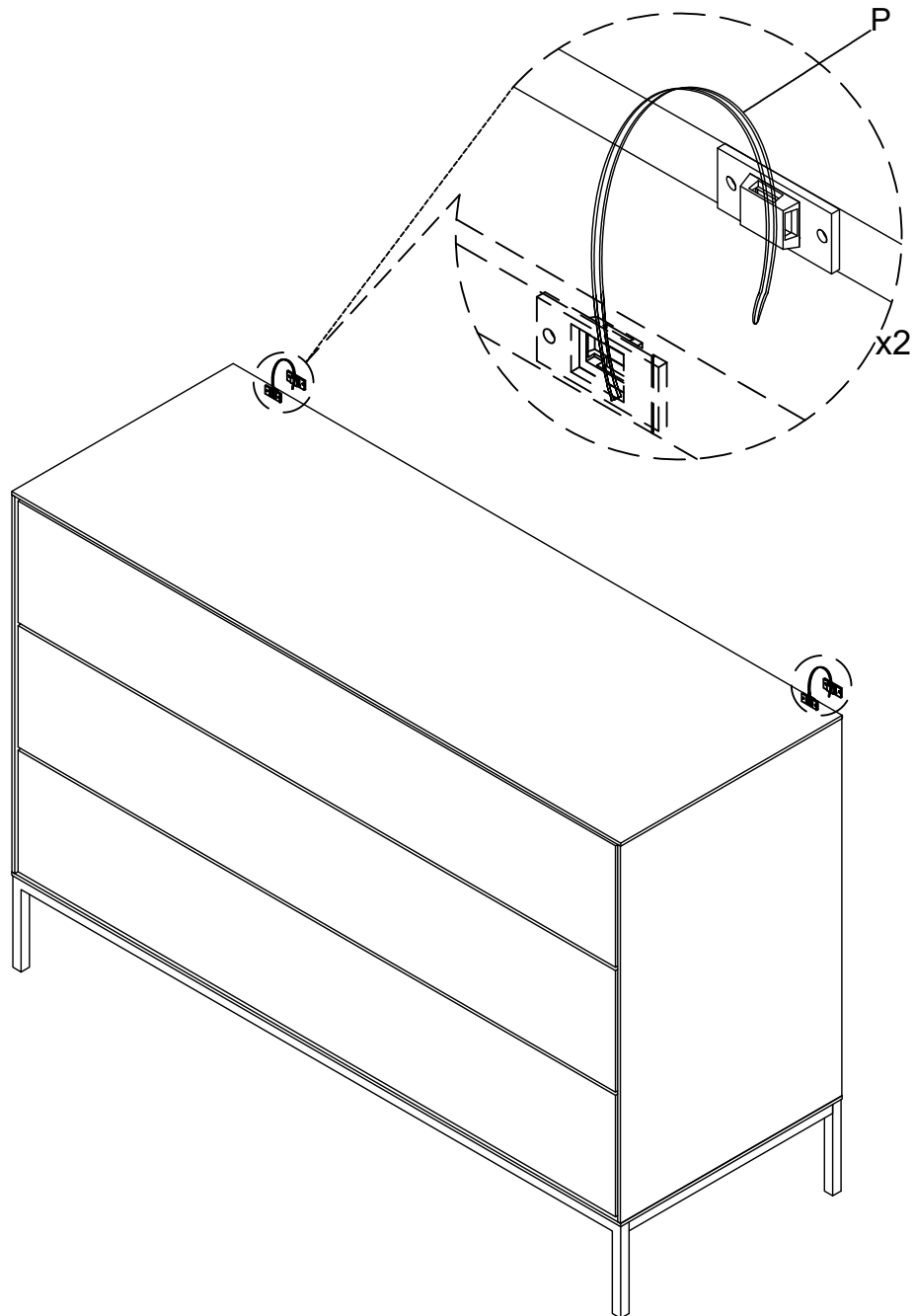
19

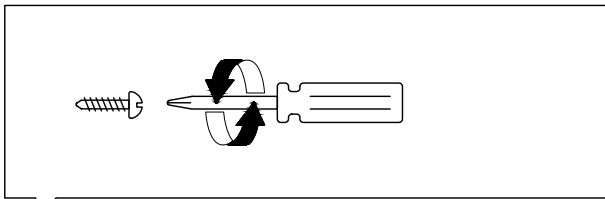
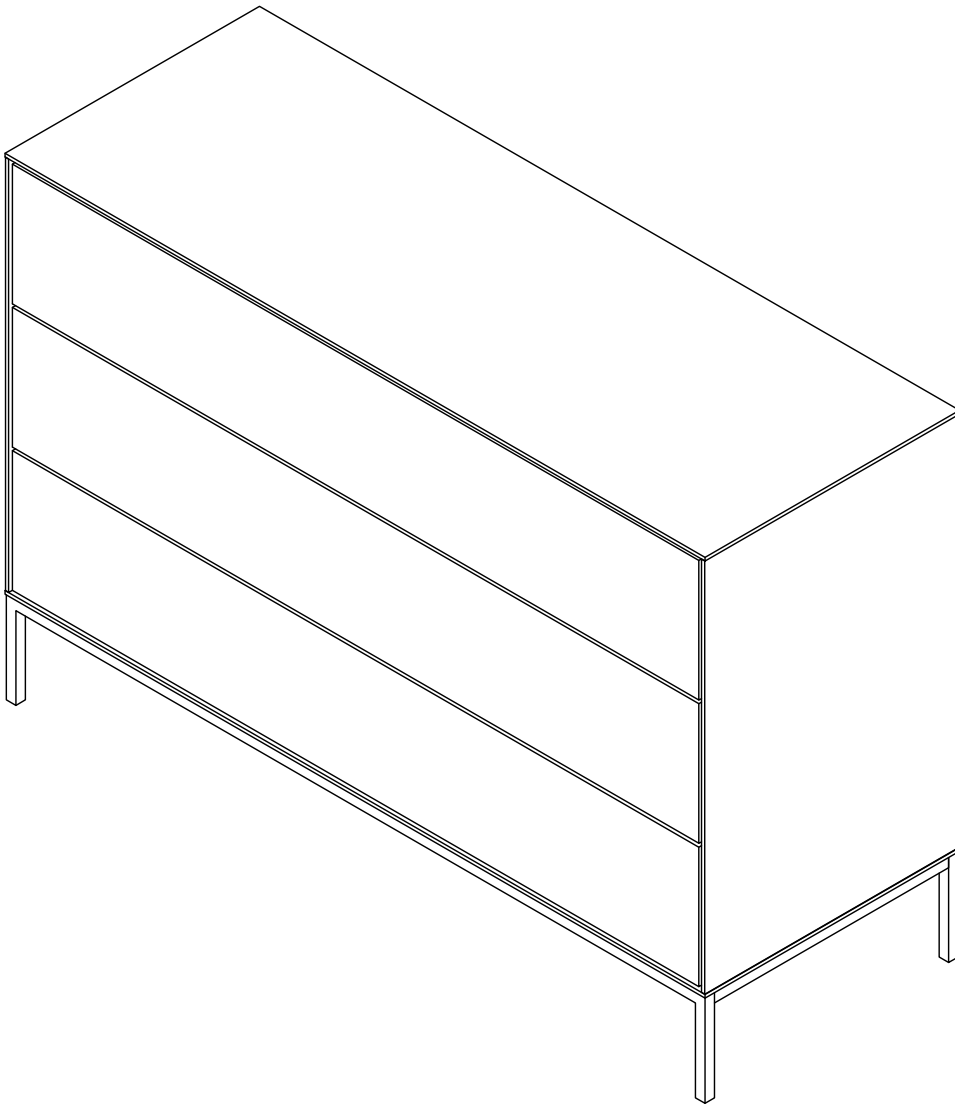


20



21







**THAT'S ALL FOLKS**

Share your style!

**#KaveHome**

