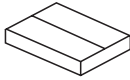


Kave® Cares



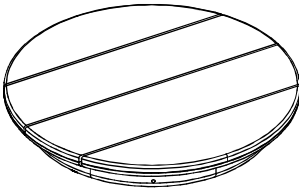
15 min



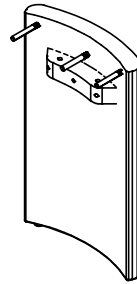
x1



x2



A x1



B x3



C x9
M8x8mm



D x9
Ø19x2mm



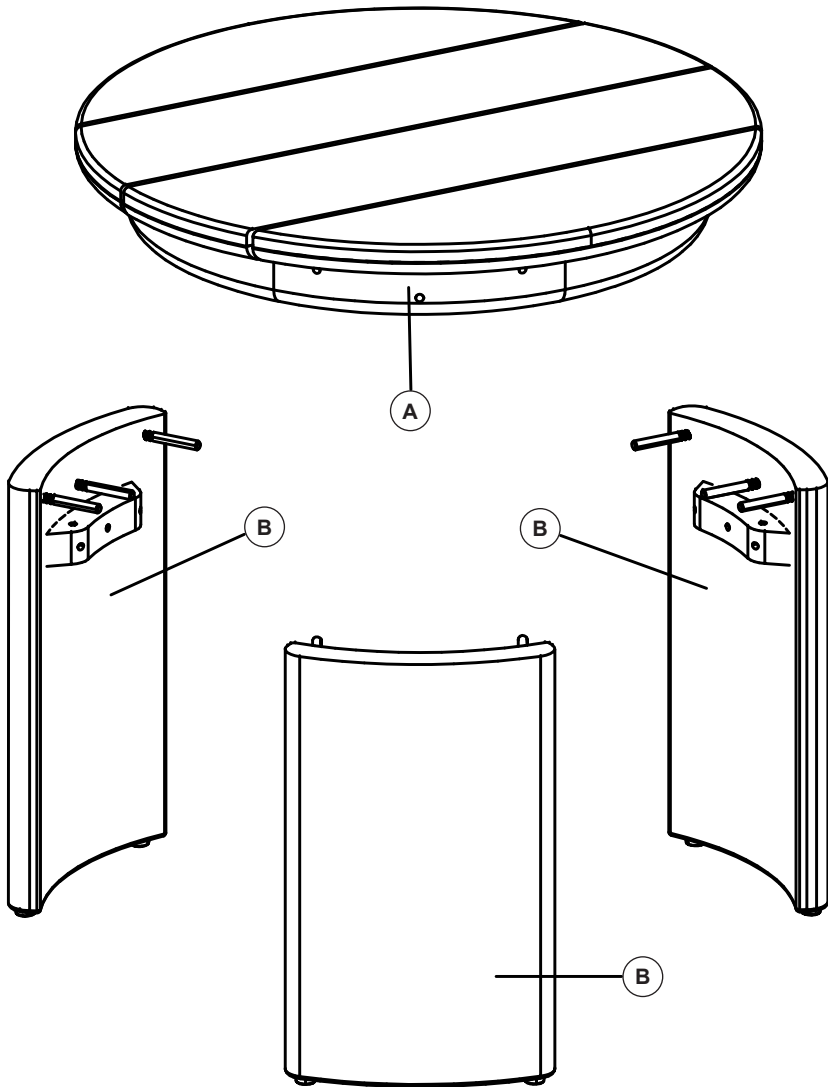
E x6
M6x60mm



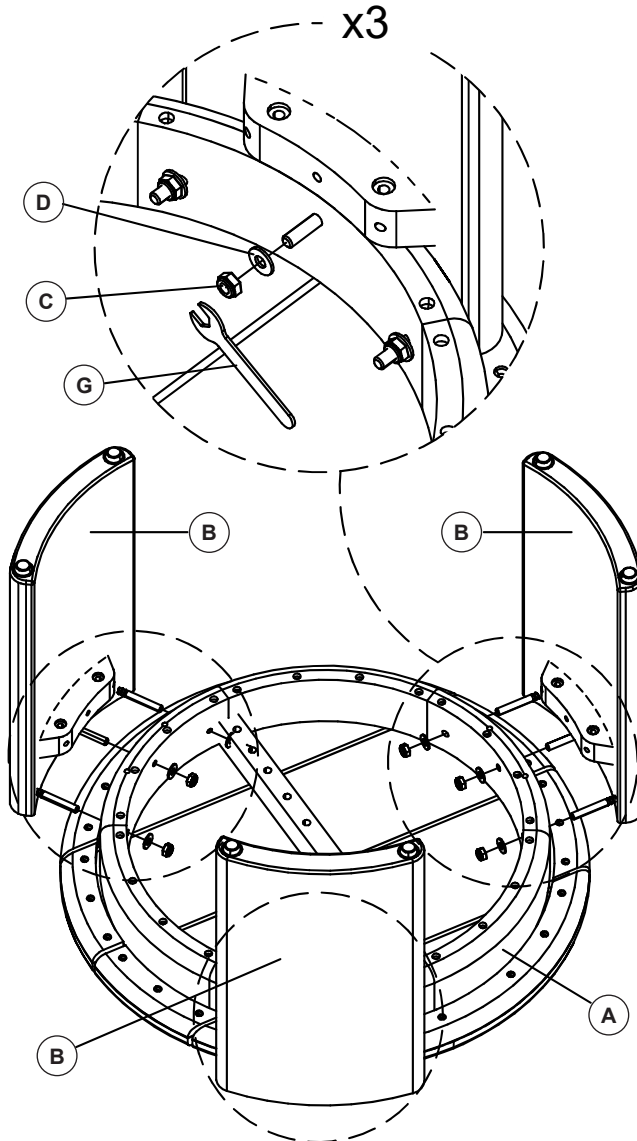
F x1



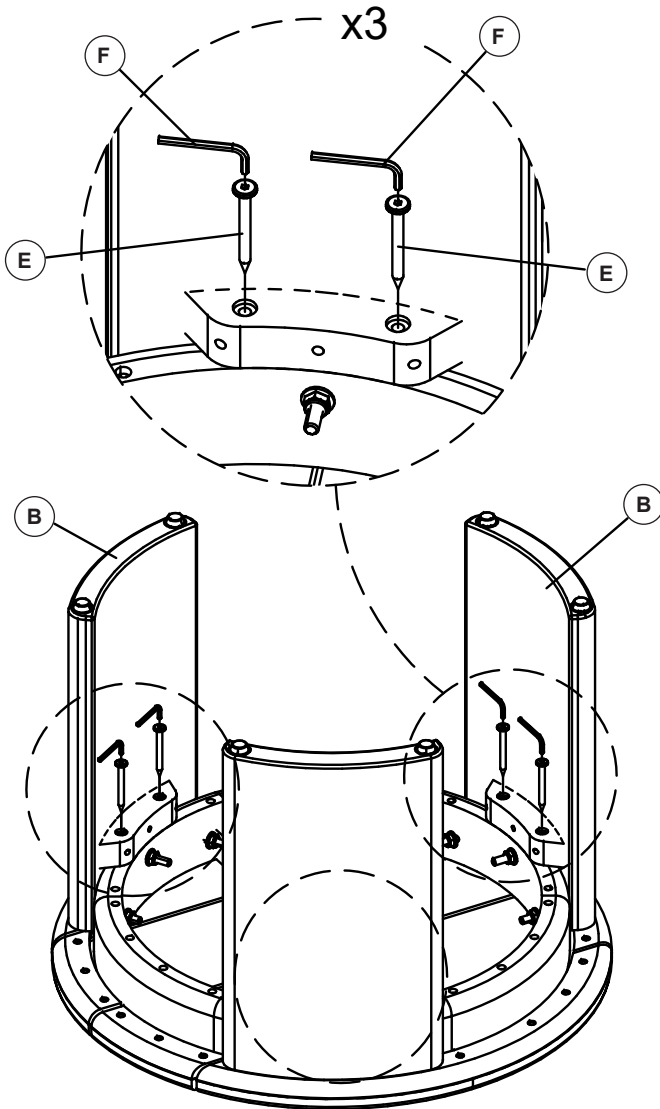
G x1

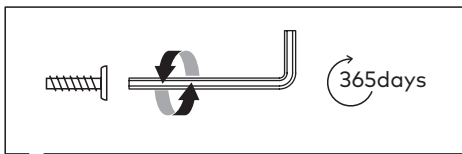
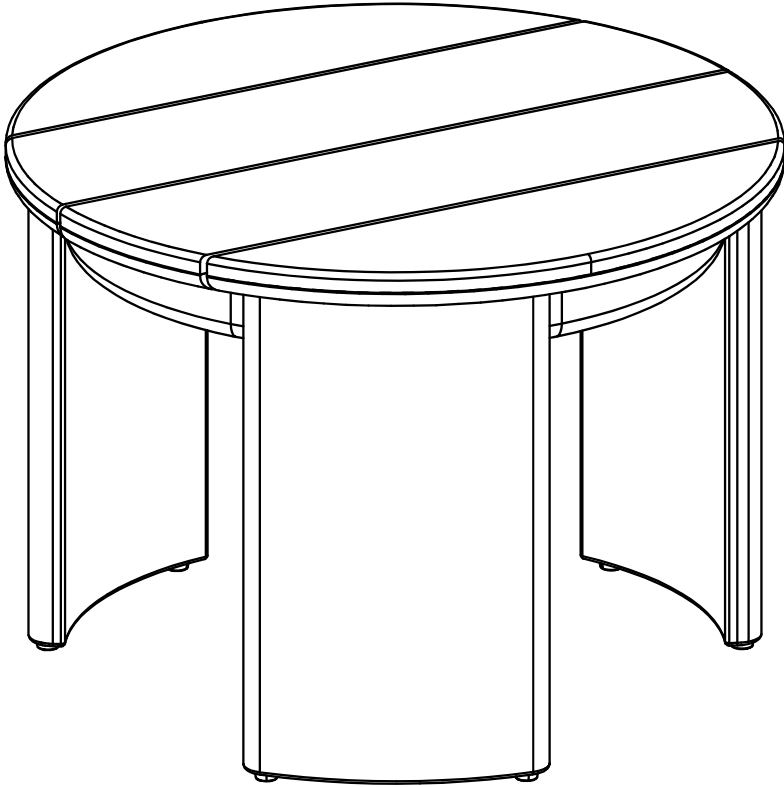


1



2







THAT'S ALL FOLKS

Share your style!

#KaveHome

